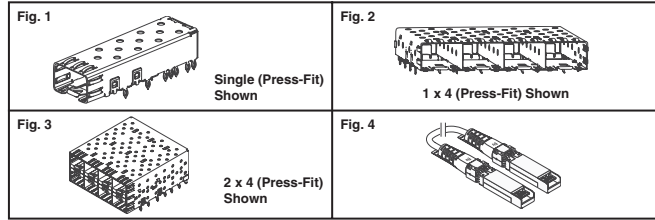


SFP Series: Description: The SFP design supports hot swap of various types of fiber optic and copper based transceivers into host equipment. This allows the OEM the flexibility to interchange between different protocols such as 1000BASE-SX, 1000BASE-CX or 1000BASE-LX. Application: • Fiber Channel • Fast/Gigabit Ethernet • ATM/SONET/SDH • INFINIBAND (IB) • FDDI Features: • Hot Swappable • Three stage sequencing - GND, VDD, Signal • Connector supports data rates beyond 5 Gbps • IEEE 802.3Z (Gigabit Ethernet), INCITS T11 (FC) • Chassis grounds for pass through EMI protection to 12.5 Gbps • Copper and Fiber Optic Transceiver

SFP+ Series: Description: SFP+ extends the use of the Small Form-Factor Pluggable (SFP) interconnect up to 10Gb/s. This system meets the performance requirements of SFF (Small Form-Factor) specification SFF-8431 and supports 8G Fibre Channel and 10G Ethernet applications. Applications: • Storage • Servers • Networking • Switches • Routers • Hubs • Network Interface Cards (NICs) Features: • Both EMI spring and gasket options for cages provide excellent shielding • All cage configurations are offered with lightpipes for LED applications • Heatsink optional for single port cages • Cages are available for PCI card applications (one degree mounting angle) • Cages accommodate belly-to-belly mounting



A

Fig.	Description	Digi-Key Part No.	Price Each			Tyco Electronics Part No.
			1	25	100	
SFP Series						
—	Connector SMT 15Au	A97430CT-ND†	1.87	1.70	1.20	1367073-1
	Connector SMT 15Au	A97430TR-ND▲	507.39/480			1367073-1
	Connector SMT 30Au	A97431CT-ND†	2.88	2.62	1.86	1367073-2
	Connector SMT 30Au	A97431TR-ND▲	784.14/480			1367073-2
	Cage Lower PCB	A97412CT-ND†	3.19	2.89	2.05	6367034-1
1	Cage Lower PCB	A97412TR-ND▲	432.43/240			6367034-1
	Cage Upper PCB	A97413-ND	3.19	2.89	2.05	6367035-1
	Cage Single (Press-Fit)	A97414-ND	4.16	3.77	2.67	1489779-1
2	Cage Single (Press-Fit)	A97415-ND	3.92	3.56	2.52	1489669-1
	Cage Single (Press-Fit)	A97416-ND§	7.32	6.64	4.70	1367629-1
	Cage 1 x 2 (Press-Fit)	A97417-ND	7.74	7.02	4.97	1761014-1
	Cage 1 x 4 (Press-Fit)	A97418-ND	14.83	13.44	9.52	1658744-1
	Cage 1 x 6 (Press-Fit)	A97419-ND	17.43	15.78	11.18	1761015-1
	Cage 1 x 2 (Press-Fit)	A97420-ND§	18.04	16.34	11.58	1761007-1
	Cage 1 x 4 (Press-Fit)	A97421-ND§	27.46	24.87	17.62	1761008-1
	Cage 1 x 6 (Press-Fit)	A97422-ND§	36.33	32.91	23.31	1658939-1
	Cage 1 x 4 (Solder)	A99375-ND	14.83	13.44	9.52	1658723-1
	3	Cage 2 x 1 (Press-Fit)	A97423-ND	12.48	11.31	8.01
Cage 2 x 4 (Press-Fit)		A97424-ND	40.36	36.56	25.90	1658390-1
Cage 2 x 1 (Press-Fit)		A97426-ND§	12.48	11.31	8.01	1658628-1
Cage 2 x 4 (Press-Fit)		A97427-ND§	40.34	36.54	25.88	1658629-1
—	Dust Cover SFP, 10mm	A97432-ND	.84	.76	.61	1367147-1
	Dust Cover SFP, 14mm	A99376-ND	.64	.58	.41	1761394-1
SFP+ Series						
—	Connector SMT 15Au	A97944CT-ND†	2.29	2.08	1.48	1888247-2

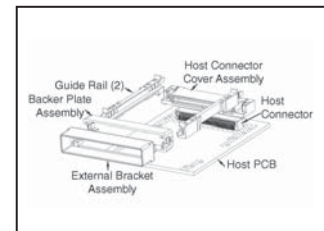
Fig.	Description	Digi-Key Part No.	Price Each			Tyco Electronics Part No.
			1	25	100	
—	Connector SMT 15Au	A97944TR-ND▲	622.70/480			1888247-2
	Connector SMT 30Au	A97943CT-ND†	3.42	3.10	2.20	1888247-1
	Connector SMT 30Au	A97943TR-ND▲	928.29/480			1888247-1
1	Cage Single (Wave Solder)	A97932-ND	4.46	4.04	2.86	2007194-1
	Cage Single (Press-Fit)	A97933-ND	4.46	4.04	2.86	2007215-1
	Cage Single (Press-Fit)	A97934-ND	4.46	4.04	2.86	2007198-1
	Cage Single (Press-Fit)	A97935-ND§	6.98	6.33	4.48	2007254-1
	Cage Single (Wave Solder)	A97936-ND‡	21.44	19.42	13.75	2007193-1
	2	Cage 1 x 2 (Press-Fit), Gasket	A97926-ND	13.67	12.38	8.77
Cage 1 x 4 (Press-Fit), Gasket		A97928-ND	15.02	13.61	9.64	2007135-1
Cage 1 x 6 (Press-Fit), Gasket		A97930-ND	24.94	22.59	16.00	2007170-1
Cage 1 x 2 (Press-Fit), Spring		A97937-ND	6.28	5.69	4.03	2007263-1
Cage 1 x 4 (Press-Fit), Spring		A97939-ND	11.23	10.17	7.21	2007132-1
Cage 1 x 6 (Press-Fit), Spring		A97941-ND	16.85	15.26	10.81	2007251-1
Cage 1 x 2 (Press-Fit), Gasket		A97927-ND§	16.81	15.23	10.79	2007180-1
Cage 1 x 4 (Press-Fit), Gasket		A97929-ND§	19.76	17.90	12.68	2007093-1
Cage 1 x 6 (Press-Fit), Gasket		A97931-ND§	33.30	30.16	21.36	2007169-1
Cage 1 x 2 (Press-Fit), Spring		A97938-ND§	10.19	9.23	6.54	2007262-1
4	Cable Assembly, 0.5M	A99690-ND	47.46	41.53	33.22	2032237-1
	Cable Assembly, 3M	A99692-ND	56.73	49.64	39.72	2032237-4
	Cable Assembly, 5M	A99693-ND	64.16	56.15	44.92	2032237-6
	Cable Assembly, 7M	A99694-ND	75.64	66.19	52.96	2032237-8

§ With Lightpipes ‡ With PCI Heatsink † Cut Tape ▲ Tape and Reel

CFP Connectors and Heat Sink

The CFP compliant connector is a new ultra high speed pluggable I/O interface supporting 40 and 100 Gb/s ethernet applications. The integrated system provides the mechanical, EMI and thermal performance necessary to meet the demanding requirements of the CFP Multi Source Agreement (MSA) Optical Transceivers and OEM host line cards. Applications: • Switches and routers for telecom and data center applications • Optical transport equipment for long haul, metro, and multiservice provisioning platform applications

Description	Digi-Key Part No.	Price Each			Tyco Electronics Part No.
		1	25	100	
Connector Assembly Module, 100 Gig Pluggable	A100186-ND§	24.64	22.32	15.81	2057629-1
Guide Rail, 100 Gig Pluggable	A100187-ND	5.13	4.66	3.30	2057592-2
Cover Assembly, Host Connector, 100 Gig	A100188-ND	31.01	28.08	19.89	2057631-1
Backer Plate Assembly, 100 Gig Pluggable	A100189-ND	6.52	5.91	4.18	2057930-1
External Bracket Assembly Module, Pluggable	A100190-ND	24.23	21.95	15.55	2057626-1
Receptacle Assembly Host, Pluggable	A100191CT-ND†	32.47	29.41	—	2057630-1
Receptacle Assembly Host, Pluggable	A100191TR-ND‡	3124.32/150			2057630-1
Heat Sink, 100 Gig Pluggable	A100339-ND§	47.74	42.13	36.51	1963856-1

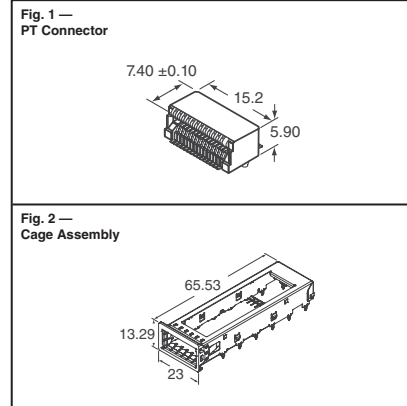


† Cut Tape ‡ Tape and Reel § For more information, please see Digi-Key web site.

XFP Connectors and Heat Sinks

Features: • Provides a range of options for EMI Containment and Thermal Dissipation that are controlled by customer requirements • Accommodates a wide range of applications (PCI Card to 16 ports on a Line Card) • Provides a robust system, similar to SFP, that will be accepted by the industry

Fig.	Description	Digi-Key Part No.	Price Each			Tyco Electronics Part No.
			1	25	100	
1	Connector, 30 Position, 15AU	A97460CT-ND†	4.86	4.41	3.12	788862-1
	Connector, 30 Position, 15AU	A97460TR-ND‡	1320.36/480			788862-1
	Connector, 30 Position, 30AU	A97464CT-ND†	6.28	5.69	4.03	788862-2
	Connector, 30 Position, 30AU	A97464TR-ND‡	1706.66/480			788862-2
	Connector, 30 Position, 30AU	A97465CT-ND†§	6.73	6.10	4.32	1367500-1
2	Connector, 30 Position, 30AU	A97465TR-ND‡§	1827.75/480			1367500-1
	Cage Assembly (Press-Fit)	A97461-ND	15.83	14.34	10.16	1489951-1
	Heat Sink for SAN applications	A97463-ND	10.16	9.21	6.53	1542618-2
	Heat Sink for PCI applications	A97466-ND	9.04	8.19	5.80	1542656-2
	Heat Sink for Network applications	A97467-ND	9.04	8.19	5.80	1542706-2
	Heat Sink Clip	A97462-ND	1.57	1.43	1.01	1489948-2
	Dust Cap for XFP and QSFP	A97542-ND	3.24	2.95	2.09	1888810-2
	XFP Kit: Heat Sink, Heat Sink Clip and Cage	A99377-ND	31.28	28.33	20.07	1888481-1
	Cable Assembly XFP Male to Male, 170mm	A99928-ND	152.15	133.14	106.51	1902480-1



† Cut Tape ‡ Tape and Reel § High Speed

Digi-Reel® Most SMT cutdown parts are available on a Digi-Reel®. For Digi-Reel part number, change 1-ND to 6-ND or CT-ND to DKR-ND. See Digi-Key® Services on page 2 for additional information.

Free shipping on orders over €65! All prices in euro and include duties. (EU2011-EN) 517