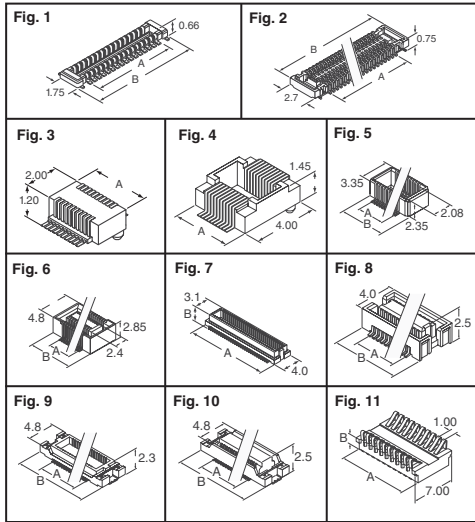




Connectors — Fine Pitch SMT Board to Board

A

Series 5802 Features: • 0.4mm pitch and ultra low profile • Space efficient • Board to board connector that responds to a surge of downsizing and slimming requirements for cellular phones • **1.5mm Features:** • 0.4mm fine pitch and low profile • Design provides for an audible click • Prevents solder wicking • Compatible with high temperature, lead free, soldering processes **Specifications:** • Mated Height: 1.5mm • Pitch: 0.4mm • Current: 0.4A maximum • Voltage: 50V maximum **Application:** • 1.5mm series is ideal for high density packaging applications such as PCs, PDAs, DVD, cell phones and digital cameras. **Series 5846 Features:** • Bottom of the connector is covered with a plate so no contact is exposed, which prevents the connector from short circuiting caused by the printed wire on the board • Pinching structure is highly resistant to vibration and drop shock and is adopted on contact points to obtain high contact reliability • Pendulum spring structure and FINE-LOCK structure are adopted to the mating system, which achieves low mating force and high retaining force **Series 5087 Features:** 0.5mm pitch, space-efficient • Board-to-Board connector that responds to a surge of downsizing and slimming requirements for cell phones, PHS, and Digital AV apparatus • Designed to have strong resistance against torque forces on mating area to achieve high reliability in the natural shock • Eico's original design concept achieves extremely high reliability in the connection of super micro sized connectors **Series 5046 Features:** • 0.5mm pitch, space efficient • Board-to-Board connector that responds to a surge of downsizing and slimming requirements for cell phones, PHS and Digital AV apparatus • Designed to have strong resistance against torque forces on mating area to achieve the high reliability in the natural shock • Adoption of bellows type contact with excellent contact reliability **SOLO STACKER™ Features:** • One piece connector used to connect two PCBs with mobile phones, pagers, PDAs, security, hand held scanners, etc. in a cost-effective manner • Can allow a spacing tolerance of up to ±0.30mm



| Fig. | No. of Pos. | Dim. (mm) | | Digi-Key Part No. | Cut Tape Price Each | | | Digi-Key Part No. | Tape and Reel | | AVX Part No. |
|---|-------------|-----------|---------------|-------------------|---------------------|------|---------------|-------------------|---------------|------------------|-------------------|
| | | A | B | | 1 | 10 | 100 | | Qty. | Pricing | |
| 5802 Series 0.4mm Fine Pitch Connector — RoHS Compliant | | | | | | | | | | | |
| Plug | | | | | | | | | | | |
| 1 | 16 | 2.8 | 4.96 | 478-5641-1-ND | 1.78 | 1.55 | 1.36 | 478-5641-2-ND | 2,000 | 622.88/M | 145802016002829+ |
| | 20 | 3.6 | 5.76 | 478-5642-1-ND | 2.81 | 2.45 | 2.14 | 478-5642-2-ND | 2,000 | 983.06/M | 145802020002829+ |
| | 24 | 4.4 | 6.56 | 478-5643-1-ND | 1.62 | 1.41 | 1.24 | 478-5643-2-ND | 2,000 | 567.53/M | 145802024002829+ |
| | 32 | 6.0 | 7.06 | 478-5644-1-ND | 2.54 | 2.22 | 1.94 | 478-5644-2-ND | 2,000 | 889.71/M | 145802032002829+ |
| | 44 | 8.4 | 10.56 | 478-5645-1-ND | 3.22 | 2.81 | 2.45 | 478-5645-2-ND | 2,000 | 1127.63/M | 145802044002829+ |
| | 54 | 10.4 | 12.56 | 478-4944-1-ND | 2.79 | 2.39 | 1.86 | 478-4944-2-ND | 2,000 | 1084.67/M | 145802054002829+ |
| 60 | 11.6 | 13.76 | 478-4945-1-ND | 3.22 | 2.76 | 2.15 | 478-4945-2-ND | 2,000 | 1253.20/M | 145802060002829+ | |
| Receptacle | | | | | | | | | | | |
| 2 | 16 | 2.8 | 5.8 | 478-5646-1-ND | 1.78 | 1.55 | 1.36 | 478-5646-2-ND | 2,000 | 622.88/M | 245802016002829+ |
| | 20 | 3.6 | 6.6 | 478-5647-1-ND | 1.72 | 1.50 | 1.31 | 478-5647-2-ND | 2,000 | 600.58/M | 245802020002829+ |
| | 24 | 4.4 | 7.4 | 478-5648-1-ND | 2.03 | 1.77 | 1.55 | 478-5648-2-ND | 2,000 | 712.10/M | 245802024002829+ |
| | 32 | 6.0 | 9.0 | 478-5649-1-ND | 1.59 | 1.39 | 1.21 | 478-5649-2-ND | 2,000 | 555.97/M | 245802032002829+ |
| | 44 | 8.4 | 11.4 | 478-5650-1-ND | 3.51 | 3.06 | 2.67 | 478-5650-2-ND | 2,000 | 1229.24/M | 245802044002829+ |
| | 54 | 10.4 | 13.40 | 478-4946-1-ND | 2.48 | 2.13 | 1.66 | 478-4946-2-ND | 2,000 | 964.89/M | 245802054002829+ |
| 60 | 11.6 | 14.60 | 478-4947-1-ND | 2.97 | 2.55 | 1.99 | 478-4947-2-ND | 2,000 | 1156.54/M | 245802060002829+ | |
| 1.5mm Fine Pitch Connector | | | | | | | | | | | |
| Plug | | | | | | | | | | | |
| 3 | 30 | 7.1 | — | 478-1989-1-ND | 3.54 | 3.03 | 2.36 | 478-1989-2-ND | 2,000 | 1373.39/M | 145602030000829 |
| Receptacle | | | | | | | | | | | |
| 4 | 20 | 6.1 | — | 478-1991-1-ND | 2.08 | 1.79 | 1.39 | — | — | — | 245602020000829 |
| | 20 | 6.1 | — | 478-5604-1-ND | 1.12 | .96 | .75 | 478-5604-2-ND | 2,000 | 433.71/M | 245602020000829H+ |
| | 30 | 8.1 | — | 478-1992-1-ND | 2.23 | 1.91 | 1.49 | 478-1992-2-ND | 2,000 | 867.41/M | 245602030000829 |
| | 40 | 10.1 | — | 478-1993-1-ND | 2.79 | 2.39 | 1.86 | 478-1993-2-ND | 2,000 | 1084.28/M | 245602040000829 |
| 5846 Series 0.4mm Pitch Connector — RoHS Compliant | | | | | | | | | | | |
| Plug | | | | | | | | | | | |
| 5 | 20 | 3.6 | 5.97 | 478-5507-1-ND | 1.53 | 1.31 | 1.02 | 478-5507-2-ND | 1,000 | 593.97 | 145846020000829+ |
| | 30 | 5.6 | 7.97 | 478-5508-1-ND | 1.98 | 1.70 | 1.33 | 478-5508-2-ND | 1,000 | 772.40 | 145846030000829+ |
| | 40 | 7.6 | 9.97 | 478-5509-1-ND | 2.35 | 2.01 | 1.57 | 478-5509-2-ND | 1,000 | 912.01 | 145846040000829+ |
| | 50 | 9.6 | 11.97 | 478-5510-1-ND | 2.82 | 2.42 | 1.88 | 478-5510-2-ND | 1,000 | 1096.23 | 145846050000829+ |
| | 60 | 11.6 | 13.97 | 478-5511-1-ND | 3.16 | 2.71 | 2.11 | 478-5511-2-ND | 1,000 | 1230.06 | 145846060000829+ |
| | 70 | 13.6 | 15.97 | 478-5512-1-ND | 3.57 | 3.06 | 2.38 | 478-5512-2-ND | 1,000 | 1387.85 | 145846070000829+ |
| 80 | 15.6 | 17.97 | 478-5513-1-ND | 3.87 | 3.31 | 2.58 | 478-5513-2-ND | 1,000 | 1503.50 | 145846080000829+ | |
| Receptacle | | | | | | | | | | | |
| 6 | 20 | 3.6 | 7.0 | 478-5514-1-ND | 1.64 | 1.41 | 1.10 | 478-5514-2-ND | 1,000 | 639.40 | 245846020100829+ |
| | 30 | 5.6 | 9.0 | 478-5515-1-ND | 2.00 | 1.72 | 1.34 | 478-5515-2-ND | 1,000 | 778.19 | 245846030100829+ |
| | 40 | 7.6 | 11.0 | 478-5516-1-ND | 2.38 | 2.04 | 1.59 | 478-5516-2-ND | 1,000 | 926.85 | 245846040100829+ |
| | 50 | 9.6 | 13.0 | 478-5517-1-ND | 3.03 | 2.60 | 2.03 | 478-5517-2-ND | 1,000 | 1179.67 | 245846050100829+ |
| | 60 | 11.6 | 15.0 | 478-5518-1-ND | 3.40 | 2.92 | 2.28 | 478-5518-2-ND | 1,000 | 1324.24 | 245846060100829+ |
| | 70 | 13.6 | 17.0 | 478-5519-1-ND | 3.87 | 3.31 | 2.58 | 478-5519-2-ND | 1,000 | 1503.50 | 245846070100829+ |
| 80 | 15.6 | 19.0 | 478-5520-1-ND | 4.24 | 3.63 | 2.83 | 478-5520-2-ND | 1,000 | 1648.07 | 245846080000829+ | |
| 80 | 15.6 | 19.0 | 478-5521-1-ND | 4.31 | 3.69 | 2.88 | 478-5521-2-ND | 1,000 | 1676.98 | 245846080100829+ | |
| 5087 Series 0.5mm Pitch Connector without Metal Tab — RoHS Compliant | | | | | | | | | | | |
| Plug | | | | | | | | | | | |
| 7 | 60 | 17.2 | 2.15 | 478-5694-1-ND | 4.76 | 4.08 | 3.18 | 478-5694-2-ND | 1,000 | 1850.46 | 1450870609030829+ |
| | 60 | 17.2 | 2.15 | 478-5695-1-ND | 4.58 | 3.92 | 3.05 | 478-5695-2-ND | 1,000 | 1778.59 | 1450870602030829+ |
| Receptacle | | | | | | | | | | | |
| 8 | 60 | 14.5 | 17.2 | 478-5603-1-ND | 5.02 | 4.30 | 3.35 | 478-5603-2-ND | 1,000 | 1952.07 | 2450870602000861+ |
| | 60 | 14.5 | 17.2 | 478-5602-1-ND | 5.58 | 4.78 | 3.72 | 478-5602-2-ND | 1,000 | 2168.51 | 2450870609000861+ |
| 5046 Series 0.5mm Pitch Connector with Metal Tab — RoHS Compliant | | | | | | | | | | | |
| Plug | | | | | | | | | | | |
| 9 | 60 | 14.5 | 20.5 | 478-5538-1-ND | 2.23 | 1.91 | 1.49 | 478-5538-2-ND | 1,000 | 867.41 | 1450460606030829+ |
| | 100 | 24.5 | 30.5 | 478-5539-1-ND | 3.72 | 3.18 | 2.48 | 478-5539-2-ND | 1,000 | 1445.68 | 145046100630829+ |
| Receptacle | | | | | | | | | | | |
| 10 | 60 | 14.5 | 18.1 | 478-5537-1-ND | 2.42 | 2.07 | 1.62 | 478-5537-2-ND | 1,000 | 940.10 | 2450460606000829+ |
| SOLO STACKER | | | | | | | | | | | |
| With PCB Location Bosses | | | | | | | | | | | |
| 11 | 20 | 11.0 | 1.8 | 478-1995-1-ND | 3.31 | 2.84 | 2.21 | 478-1995-2-ND | 1,250 | 1286.66/M | 009158020020001 |
| | 24 | 13.0 | 1.8 | 478-1996-1-ND | 1.97 | 1.69 | 1.32 | 478-1996-2-ND | 1,250 | 766.21/M | 009158024020001 |
| | 16 | 9.0 | 1.8 | 478-1998-1-ND | 2.05 | 1.75 | 1.37 | 478-1998-2-ND | 1,250 | 795.13/M | 009158016025001 |
| | 20 | 11.0 | 1.8 | 478-1999-1-ND | 2.83 | 2.42 | 1.89 | 478-1999-2-ND | 1,250 | 1098.72/M | 009158020025001 |
| | 24 | 13.0 | 1.8 | 478-2000-1-ND | 1.97 | 1.69 | 1.32 | 478-2000-2-ND | 1,250 | 766.21/M | 009158024025001 |
| | 28 | 15.0 | 1.8 | 478-2001-1-ND | 2.45 | 2.10 | 1.64 | 478-2001-2-ND | 1,250 | 954.15/M | 009158028025001 |
| | 28 | 15.0 | 2.7 | 478-2005-1-ND | 2.16 | 1.85 | 1.44 | 478-2005-2-ND | 1,100 | 838.50/M | 009158028030001 |

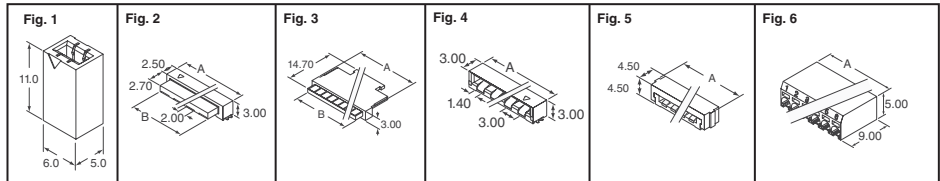
◆ RoHS Compliant

9159/9276 Series Connectors — Board to Board



Features:

• Simple and cost effective double ended card edge connector (1 piece) on 2.0mm pitch provides multiple connections to tin plated fingers at the end of each PCB



| Fig. | No. of Pins | Dim. (mm) | | Digi-Key Part No. | Cut Tape Price Each | | | Tape and Reel | | AVX Part No. |
|-------------|-------------------------|-----------|-------|-------------------|---------------------|------|------|---------------|----------|-----------------|
| | | A | B | | 1 | 10 | 100 | Qty. | Pricing | |
| 1 | 2 | — | — | 478-5522-1-ND | .71 | .61 | .48 | 750 | 206.32 | 009159002001106 |
| | 3 | — | — | 478-5523-1-ND | .89 | .77 | .60 | 750 | 260.22 | 009159003001106 |
| | 4 | — | — | 478-5524-1-ND | 1.04 | .90 | .70 | 750 | 303.59 | 009159004001106 |
| | 5 | — | — | 478-5525-1-ND | 1.23 | 1.05 | .82 | 750 | 358.11 | 009159005001106 |
| Plug | | | | | | | | | | |
| 2 | 2 | 8.00 | 5.90 | 478-5673-1-ND | .64 | .55 | .43 | 1,400 | 250.10/M | 109159002101116 |
| | 3 | 11.00 | 8.90 | 478-5674-1-ND | .74 | .63 | .49 | 1,400 | 284.80/M | 109159003101116 |
| | 4 | 14.00 | 11.90 | 478-5675-1-ND | .82 | .70 | .55 | 1,400 | 318.05/M | 109159004101116 |
| | 5 | 17.00 | 14.90 | 478-5676-1-ND | .92 | .79 | .61 | 1,400 | 355.64/M | 109159005101116 |
| | 6 | 20.00 | 17.90 | 478-5677-1-ND | 1.01 | .87 | .68 | 1,400 | 393.23/M | 109159006101116 |
| | Cable Mount Plug | | | | | | | | | |
| 3 | 2 | 8.00 | 5.90 | 478-5856-1-ND | .77 | .66 | .52 | 700 | 209.33 | 119159002101116 |
| | 3 | 11.00 | 8.90 | 478-5857-1-ND | .86 | .74 | .58 | 700 | 234.78 | 119159003101116 |
| | 4 | 14.00 | 11.90 | 478-5858-1-ND | .97 | .84 | .65 | 700 | 265.43 | 119159004101116 |
| | 5 | 17.00 | 14.90 | 478-5859-1-ND | 1.09 | .94 | .73 | 700 | 296.65 | 119159005101116 |
| | 6 | 20.00 | 17.90 | 478-5860-1-ND | 1.15 | .99 | .77 | 700 | 312.84 | 119159006101116 |
| | Socket | | | | | | | | | |
| 4 | 2 | 8.00 | — | 478-5678-1-ND | .80 | .69 | .54 | 1,400 | 312.27/M | 209159002101116 |
| | 3 | 11.00 | — | 478-5679-1-ND | .99 | .85 | .66 | 1,400 | 384.55/M | 209159003101116 |
| | 4 | 14.00 | — | 478-5680-1-ND | 1.17 | 1.01 | .79 | 1,400 | 456.84/M | 209159004101116 |
| | 5 | 17.00 | — | 478-5681-1-ND | 1.35 | 1.17 | .91 | 1,400 | 527.68/M | 209159005101116 |
| | 6 | 20.00 | — | 478-5682-1-ND | 1.54 | 1.32 | 1.03 | 1,400 | 598.51/M | 209159006101116 |
| | Top Load Socket | | | | | | | | | |
| 5 | 2 | 11.40 | — | 478-5861-1-ND | .92 | .79 | .62 | 1,400 | 356.88/M | 229159002101116 |
| | 3 | 14.40 | — | 478-5862-1-ND | 1.09 | .94 | .73 | 1,400 | 423.80/M | 229159003101116 |
| | 4 | 17.40 | — | 478-5863-1-ND | 1.26 | 1.09 | .85 | 1,400 | 491.53/M | 229159004101116 |

| Fig. | No. of Pins | Dim. (mm) | | Digi-Key Part No. | Cut Tape Price Each | | | Tape and Reel | | AVX Part No. |
|------|-------------|-----------|---|-------------------|---------------------|------|------|---------------|----------|-----------------|
| | | A | B | | 1 | 10 | 100 | Qty. | Pricing | |
| 5 | 5 | 20.40 | — | 478-5864-1-ND | 1.52 | 1.30 | 1.02 | 1,400 | 589.84/M | 229159005101116 |
| | 6 | 23.40 | — | 478-5865-1-ND | 1.72 | | | | | |