



RF and RFX™ Connectors
BNC Coaxial Connectors

A

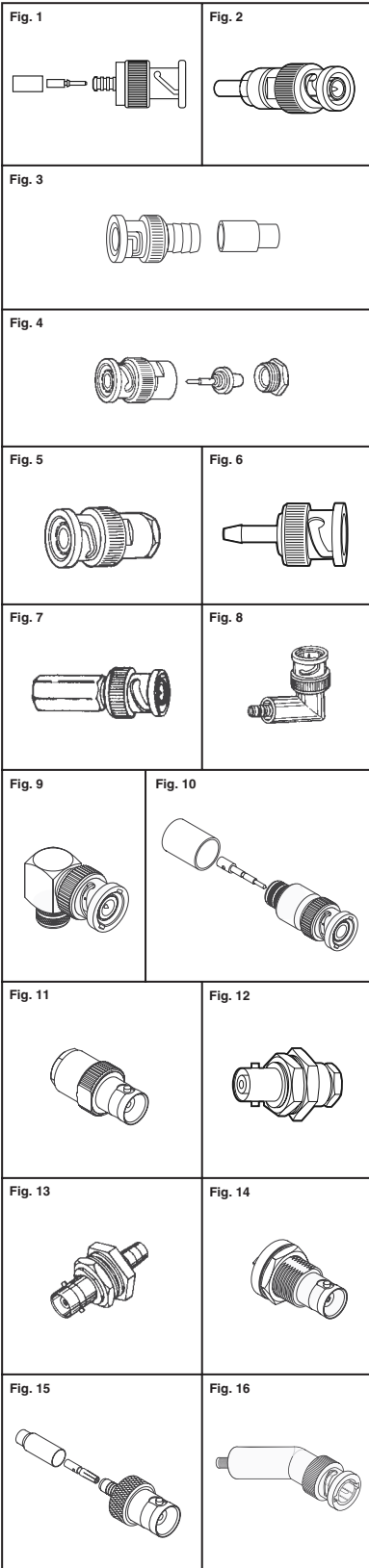


Fig.	Description	Ohms (Ω)	Cable Group RG/U	Crimp Tool Part No.	Digi-Key Part No.	Pricing			Amphenol RF Part No.
						1	10	25	
1	Plug (Crimp)	50	55, 142, 223, 400	CTL-1	ARF1661-ND◆	6.59	43.80	74.67	000-36875
	Plug (Crimp)	50	55, 142, 223, 400	CTL-1	ARF1676-ND◆	7.54	50.13	87.49	031-326
	Plug (Crimp)	50	Belden 8218	CTL-2	ARF1675-ND◆	8.51	56.62	96.70	031-325
	Plug (Crimp)	50	58, 141	CTL-1	ARF1679-ND◆	7.12	47.41	82.68	031-4320
	Plug (Crimp)	50	59, 62	CTL-1	ARF1680-ND◆	8.35	55.66	97.10	031-4321
	Plug	50	55, 142, 223	CTL-1	ARF1681-ND◆	5.57	37.08	64.86	031-4326
	Plug (Crimp)	50	142, 400	CTL-1	ARF1682-ND◆	7.63	50.93	121.12	031-4427
	Plug (2 Crimp Ferrules)	75	6, Belden 9248	CTL-8	ARF1698-ND◆	8.35	56.14	95.90	031-70000
	Plug (Crimp)	75	59	CTL-6, -8	ARF1699-ND◆	9.28	61.74	105.51	031-70008
	Plug (Crimp)	75	6	CTL-2	ARFX1117-ND◆†	3.84	25.63	43.44	031-71000-RFX
	Plug	50	58, 141	CTL-1	ARF1039-ND◆	6.39	42.68	74.07	31-320
	Plug	50	Belden 9907, 89907	CTL-1	ARF1054-ND◆	6.50	43.16	73.87	31-320-1006
	Plug	50	58A, 141, 142A	CTL-1	ARFX1039-ND◆†	2.08	13.69	24.42	31-320-RFX
Plug (Quick-Crimp)	50	Plenum 58	CTL-1	ARFX1041-ND◆†	2.27	15.06	25.43	36650-3RFX	
Plug	50	59, 62	CTL-1	ARF1042-ND◆	6.55	43.64	76.08	31-321	
Plug	50	59, 62	CTL-1	ARFX1042-ND◆†	2.29	15.14	31.03	31-321-RFX	
Plug	50	Belden 8281, 88281	CTL-2	ARF1051-ND◆	7.29	48.53	82.68	31-321-1000	
Plug	50	59, 62, 71, 140, 210, 302	CTL-1	ARF1156-ND◆	5.83	38.76	66.07	68175	
Plug	50	Belden 9259	CTL-1	ARF1052-ND	5.91	39.24	67.07	68175-1003	
Plug	50	59 (20AG CC)	CTL-1	ARF1046-ND◆	6.41	42.76	72.87	68175-1005	
Plug	50	59 (20GA CC)	CTL-1	ARFX1046-ND◆†	2.19	14.57	24.82	68175-5RFX	
Plug	50	Plenum 59, 62	CTL-1	ARFX1047-ND◆†	2.48	16.66	28.23	68175-11RFX	
Plug	50	174, 188, 316	CTL-2	ARF1049-ND◆	6.86	45.65	78.08	31-315	
Plug	50	174, 188, 316	CTL-2	ARFX1049-ND◆†	2.63	17.54	29.83	31-315-RFX	
Plug	50	179, 187	CTL-2	ARF1050-ND◆	9.37	62.30	106.31	31-242	
Plug	75	59, 62	CTL-1	ARFX1123-ND◆†	2.08	13.69	31.43	31-71008-RFX	
Plug	75	59, 62	CTL-1	ARF1175-ND◆	4.71	31.47	53.45	31-71008	
Plug (Crimp)	75	59 (20GA CC)	CTL-1	ARF1700-ND◆†	2.44	16.26	27.83	031-71008-1RFX	
Plug	75	59, 62 (20GA CC)	CTL-1	ARF1176-ND◆	4.96	33.15	56.66	31-71008-1000	
Plug	75	179, 187	CTL-2	ARF1174-ND◆	5.81	38.60	65.87	31-71013	
Plug (Crimp)	75	179, 187	CTL-2	ARF1701-ND◆†	2.82	18.98	32.83	031-71013-RFX	
Plug	75	Belden 8218	CTL-2	ARF1173-ND◆	4.85	32.27	55.06	31-71033	
Plug	75	Belden 8281, 88281	CTL-2	ARF1172-ND◆	5.14	34.11	58.46	31-71032	
Plug (Thinnet/Ethernet)	50	58, 141	CTL-1	ARF1181-ND◆	2.94	19.62	33.63	31-5800	
Plug (IBM/Arctnet)	50	59, 62 (20GA CC)	CTL-1	ARF1182-ND◆	3.13	20.82	36.24	31-5900	
2	Plug (Original Crimp)	50	174, 179, 187, 188, 316	—	ARF1143-ND◆	21.68	144.54	215.82	31-371
3	Plug (Single Crimp)	50	59, 62	CTL-2	ARFX1124-ND◆†	2.69	17.86	30.63	31-5556-RFX
4	Plug (Quicktrim®)	50	58	CTL-1	ARF1672-ND◆	19.74	131.25	241.24	031-30220-1
4	Plug (Quicktrim®)	50	59, 62	CTL-1	ARF1045-ND◆	17.08	142.34	236.30	31-4541
4	Plug (Quicktrim®)	50	59, 62	CTL-1	ARFX1045-ND◆†	5.93	39.56	67.47	31-4541-RFX
5	Plug	50	55, 58, 141, 142, 223, 400	—	ARF1040-ND◆	5.49	36.44	65.87	31-202
	Plug (Quick Clamp)	50	59 (20GA CC)	—	ARF1662-ND◆	7.02	46.85	82.08	031-212-1005
	Plug	50	59, 62	—	ARF1043-ND◆	5.16	34.35	74.67	31-212
	Plug	50	59, 62	—	ARFX1043-ND◆†	2.63	17.46	36.24	31-212-RFX
	Plug	50	8, 9, 11, 213, 214	—	ARF1155-ND◆	18.41	141.50	297.70	6775
	Plug	50	58, 141, 142, 400	—	ARF1126-ND◆	5.95	39.48	77.08	31-2
	Plug	50	58, 141, 142A	—	ARFX1119-ND◆†	2.71	18.10	31.83	31-2-RFX
	Plug (Clamp)	50	58, 141, 142, 223	—	ARF1677-ND◆	12.11	100.90	151.35	031-3301
	Plug	50	59, 62, 71, 140, 210, 302	—	ARF1123-ND◆	11.74	78.24	133.33	31-12
	Plug	50	174, 179, 187, 188, 316	—	ARF1157-ND◆	9.87	65.75	112.51	69475
6	Plug	50	178, 196	—	ARF1120-ND◆	10.51	69.99	119.72	15875
	Plug (FCP)	50	58, 141	—	ARF1145-ND◆	7.31	48.77	83.08	31-4700
	Plug (FCP)	50	59	—	ARF1146-ND	6.97	46.37	102.10	31-4702
7	Plug (Suretwist®)	50	59, 62	—	ARF1044-ND◆	6.97	46.37	79.28	31-5136
	Plug (Suretwist®)	50	59, 62	—	ARFX1044-ND◆†	2.48	16.66	29.03	31-5136-RFX
	Plug (Suretwist®)	50	58, 141, 142	—	ARFX1147-ND◆†	2.72	18.34	31.83	31-5137-RFX
8	Angle Plug	50	58, 144	CTL-1	ARFX1055-ND◆†	6.03	40.04	68.47	31-335-RFX
9	Right Angle Plug	50	Belden 9913, 9914	CTL-4	ARF1696-ND◆†	7.40	49.17	84.08	031-6004-RFX
10	Straight Plug	50	Belden 8214, 9913, 9914	CTL-11	ARF1694-ND◆†	7.48	49.73	84.88	031-5998-RFX
11	Jack (Clamp)	50	223	—	ARF1686-ND◆	6.97	46.37	79.28	031-5
12	Bulkhead Jack (Clamp)	50	58, 141, 142, 400	—	ARF1127-ND◆	10.75	71.51	122.12	31-206
13	Bulkhead Jack	50	58, 141	CTL-1	ARF1060-ND◆	9.92	80.96	175.18	31-342
	Bulkhead Jack	50	58, 141, 142, 223	CTL-1	ARFX1060-ND◆†	3.80	25.15	43.04	31-342-RFX
	Bulkhead Jack	50	59, 62, 140, 210	CTL-1	ARFX1061-ND◆†	5.42	36.12	61.86	31-343-RFX
	Bulkhead Jack	50	174, 188, 316	CTL-2	ARF1139-ND◆	12.72	84.72	144.54	31-318

◆ RoHS Compliant † RFX connectors. RFX™ is specifically designed for applications that do not require performance above 1 – 3GHz. RFX™ connectors are not for use in military system applications. RFX™ connectors are generally less expensive than MIL-Spec and industry standard connectors. (Continued)

Free shipping on orders over €65! All prices in euro and include duties. (EU2011-EN) 447