



**RF Connectors**



**BNC Connectors**

BNC three piece crimp connectors feature semi-captive contacts that “click” into place assuring perfect installation. Each crimp pin has a vent hole for optional soldering. Soldering is recommended for all stranded conductors 26AWG or smaller.

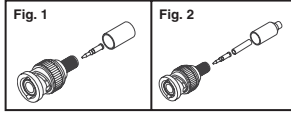
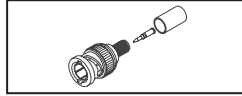


Fig.	RG/U Cable	Contact Finish	Digi-Key Part No.	Price Each			Bomar Part No.
				1	10	100	
<b>Standard 3 Piece Crimp</b>							
1	58A/U, 58C/U, Stranded 141, Thin PVC 223	Brass	991-1000-ND	3.33	2.76	2.07	310A205F
		Brass	991-1002-ND	3.28	2.72	2.04	310A205P
2	174, 178, 196, Mini RGB 50Ω	Brass	991-1001-ND	3.48	2.88	2.16	310A205MV
		Brass	991-1003-ND	4.24	3.51	2.64	310B205MV

**Serial Digital BNC Connectors**

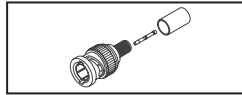
Bomar's true 75Ω BNC connectors fit all standard broadcast cables and utilize standard existing tooling. Made from precision machined brass, these rugged connectors maintain excellent return loss in analog and serial digital applications.



RG/U Cable	Contact Finish	Digi-Key Part No.	Price Each			Bomar Part No.
			1	10	100	
1505A	Brass	991-1004-ND	2.95	2.44	1.83	SBC1505A
1694A	Brass	991-1005-ND	2.97	2.46	1.85	SBC1694A
1855A	Brass	991-1006-ND	2.95	2.44	1.83	SBC1855A
7731A	Brass	991-1008-ND	3.38	2.80	2.10	SBC7731A
8218	Brass	991-1007-ND	2.73	2.26	1.70	SBC8281
8241(A)	Brass	991-1010-ND	2.95	2.44	1.83	SBC8241
8281(B), (F)	Brass	991-1009-ND	2.95	2.44	1.83	SBC8218

**Shadow™ High Definition BNC Connectors**

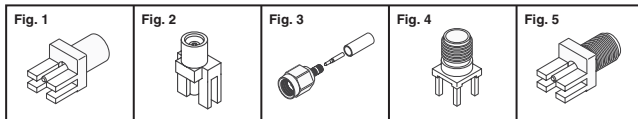
The Shadow is the name for the best high definition BNC connector available at any price. Shadow BNC connectors fit all standard broadcast cables and utilize most standard existing tooling. These connectors are made from precision machined brass and insulator material is high density TFE to maintain a perfect dielectric constant.



RG/U Cable	Contact Finish	Digi-Key Part No.	Price Each			Bomar Part No.
			1	10	100	
1505A	Gold	991-1011-ND	2.85	2.36	1.77	HBC1505A
1694A	Gold	991-1012-ND	2.85	2.36	1.77	HBC1694A
1855A	Gold	991-1013-ND	2.97	2.46	1.85	HBC1855A
179DT	Gold	991-1014-ND	3.40	2.82	2.12	HBC179DT

**E-Snap™ Connectors**

The E-Snap is Bomar's newest connector and among the most reliable and innovative in the industry. E-Snap has the ability to lock firmly in place for re-flow soldering and eliminates the time and cost of applying an adhesive; this makes it the connector of choice in wireless systems.



**MCX Connectors**

Fig.	Description	Contact Finish	Impedance (Ω)	Digi-Key Part No.	Price Each			Bomar Part No.
					1	10	100	
1	Standard Edge Mount Jack	Brass	50	991-1048-ND	5.53	4.58	3.44	1261E504
2	Low-Profile Edge Mount Jack	Brass	50	991-1049-ND	5.73	4.86	3.75	1261E504L

**SMA Connectors**

Fig.	RG/U Cable	Contact Finish	Impedance (Ω)	Digi-Key Part No.	Price Each			Bomar Part No.
					1	10	100	
<b>Standard 3 Piece Crimp</b>								
3	174, 188, 316	Brass	50	991-1045-ND	3.28	2.72	2.04	910A204M
<b>Standard PCB</b>								
4	—	Brass	50	991-1046-ND	3.62	3.00	2.25	961A514
<b>E-Snap Edge Mount</b>								
5	—	Brass	50	991-1047-ND	5.01	4.15	3.11	961E504

**V-Bite® PC Edge Mount**

The V-Bite is an award winning design in the connector industry and has grown to be a reliable choice where the best connections are needed. It edge mounts to the board to utilize very little PCB space and locks into place both above and below the PCB to disperse rotational torque relief to the board and not the solder points.

The X-2 Dual BNC jacks were designed to satisfy engineers' requirements for maximizing PCB space and installation efficiency. These new dual jacks accommodate two connectors in the space of one and have an available back plate for full shielding.

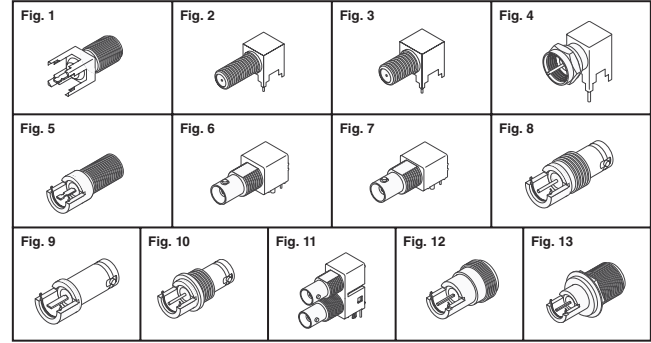


Fig.	Body Material	Contact Finish	Impedance (Ω)	Digi-Key Part No.	Price Each			Bomar Part No.	
					1	10	100		
<b>F-Type Connectors</b>									
<b>Standard Vertical PCB</b>									
1	—	Brass	NC†	991-1050-ND	1.88	1.57	1.16	861A509	
<b>Standard Right Angle PCB</b>									
2	—	Brass	NC†	991-1051-ND	2.40	1.99	1.49	864B509	
3	—	Brass	NC†	991-1052-ND	2.26	1.88	1.39	864B509S	
4	—	Brass	NC†	991-1053-ND	3.24	2.68	2.01	866B509	
<b>V-Bite End Launch PCB</b>									
5	—	Phos/Gold	NC†	991-1042-ND	3.35	2.78	2.09	861V509E	
	—	Brass/Gold	NC†	991-1043-ND	4.39	3.63	2.73	861V509ER	
	—	Brass/Gold	75	991-1044-ND	5.08	4.21	3.16	861V509ER6	
<b>BNC PCB Jacks</b>									
<b>Standard Profile Single Jack with Posts</b>									
6	White Valox	Gold	50	991-1017-ND	2.42	2.01	1.51	364A595	
	White Valox	Gold	75	991-1018-ND	2.42	2.01	1.51	364A795	
	Nickel/Zinc	Gold	50	991-1021-ND	3.38	2.80	2.10	364M595	
<b>Low-Profile Single Jack with Posts</b>									
7	White Valox	Gold	50	991-1019-ND	2.42	2.01	1.51	364A595BL	
	White Valox	Gold	75	991-1020-ND	2.61	2.17	1.63	364A795BL	
	Nickel/Zinc	Gold	50	991-1022-ND	3.54	2.94	2.21	364M595L	
<b>V-Bite End Launch PCB</b>									
8	—	Phos/Gold	50	991-1037-ND	4.55	3.77	2.83	361V504ET	
9	—	Phos/Gold	50	991-1036-ND	4.21	3.49	2.62	361V504ER	
		Phos/Tin	50	991-1034-ND	3.83	3.18	2.38	361V509E	
10	—	Phos/Gold	75	991-1038-ND	4.50	3.73	2.80	361V704ER	
		Phos/Gold	50	991-1035-ND	5.01	4.15	3.11	361V504EFT	
		Phos/Gold	75	991-1039-ND	5.61	4.64	3.48	361V704EFT	
11	—	Phos/Gold	75	991-1040-ND	6.67	6.09	4.64	361VH704EFT	
		Phos/Gold	50	991-1023-ND	7.26	6.15	4.75	364A2595	
11	—	Phos/Gold	75	991-1024-ND	7.26	6.63	5.05	364A2795	
		Nickel/Zinc	Phos/Gold	50	991-1025-ND	8.67	7.92	6.03	364M2595
		Nickel/Zinc	Phos/Gold	75	991-1026-ND	8.92	8.26	6.92	364M2795
		Nickel/Zinc	Phos/Gold	75	991-1026-ND	8.92	8.26	6.92	364M2795
<b>N-Type Connectors</b>									
<b>V-Bite End Launch PCB</b>									
12	—	Brass/Gold	50	991-1031-ND	9.14	8.35	6.36	161V504E	
13	—	Brass/Gold	50	991-1032-ND	11.99	11.10	9.30	161V504EFT	
		Brass/Gold	50	991-1033-ND	8.46	7.72	5.89	161V504EFT	

† Non-Constant Impedance

**Hardware/Tools**

Description	Finish	Digi-Key Part No.	Price Each			Bomar Part No.
			1	10	100	
<b>364 Series</b>						
Jam Nut	Zinc/Brass	991-1027-ND	1.01	.78	.60	364NT
Lock Washer	Zinc/Steel	991-1028-ND	.58	.41	.28	364LW
Knurled Nut	Brass/Nickel	991-1029-ND	1.13	.88	.67	364KNT
Hex Wrench	Steel/Nickel	991-1030-ND	96.37	92.94	86.05	BD36400
<b>361 Series</b>						
Knurled Nut	Brass/Nickel	991-1041-ND	.91	.71	.54	361KNT

(Continued)

Free shipping on orders over €65! All prices in euro and include duties. (EU2011-EN) 435