

Amphenol Pcd Ethernet and RJ11 Connection System for Harsh Environments (Cont.)



Fig.	Coupling Type	Dimensions - Inch (mm)			Description	Digi-Key Part No.	Price Each			Amphenol Part No.
		A	B	C			1	25	50	
7	Bayonet	1.125 (28.58)	1.626 (41.3)	3.23 (82)	Inline Jam Nut Receptacle to Receptacle with Metal Gland, Black	APC1055-ND	49.63	46.09	45.21	RJF7PEM1B
	Bayonet	1.125 (28.58)	1.626 (41.3)	3.23 (82)	Inline Jam Nut Receptacle to Receptacle with Metal Gland, Nickel	APC1056-ND	49.92	46.36	45.47	RJF7PEM1N
	Thread	1.242 (31.55)	1.812 (46)	3.622 (92)	Inline Jam Nut Receptacle to Receptacle with Plastic Gland, Nickel	APC1089-ND	46.14	42.85	42.03	RJFTV7PE1N
	Thread	1.242 (31.55)	1.812 (46)	3.622 (92)	Inline Jam Nut Rec. to Rec. with Metal Gland, Olive Drab Cadmium	APC1294-ND	53.41	49.60	48.65	RJFTV7PEM1G
	Thread	1.242 (31.55)	1.812 (46)	3.622 (92)	Inline Jam Nut Receptacle to Receptacle with Metal Gland, Nickel	APC1090-ND	52.16	48.43	47.50	RJFTV7PEM1N
8	Quick Lever	1.339 (34)	1.575 (40)	1.714 (43.55)	Flange Receptacle to Receptacle, Black	APC1064-ND	13.34	12.21	11.38	RJFEZ21
	Quick Lever	1.339 (34)	1.575 (40)	13.53 (343.55)	Flange Receptacle to 0.3 Meter Cord for 10/100 Base, TX Black	APC1065-ND	18.61	17.37	16.75	RJFEZ2203100BTX
	Quick Lever	1.339 (34)	1.575 (40)	21.40 (543.55)	Flange Receptacle to 0.5 Meter Cord for 10/100 Base, TX Black	APC1066-ND	18.83	17.58	16.96	RJFEZ2205100BTX
	Quick Lever	1.339 (34)	1.575 (40)	41.08 (1,043.55)	Flange Receptacle to 1.0 Meter Cord for 10/100 Base, TX Black	APC1067-ND	19.45	18.16	17.51	RJFEZ2210100BTX
9	Bayonet	1.125 (28.58)	1.311 (33.3)	1.051 (26.7)	Square Flange Receptacle to Receptacle, Black with Self Closing Cap	APC1026-ND	26.23	24.49	23.62	RJF21BSCC
	Bayonet	1.125 (28.58)	1.311 (33.3)	1.051 (26.7)	Square Flange Receptacle to Receptacle, Nickel with Self Closing Cap	APC1028-ND	27.19	25.38	24.47	RJF21NSCC
Accessories										
4	Bayonet	—	—	—	IP67 Dust Cap for RJF Bayonet Plugs, Black	APC1059-ND	20.06	18.73	18.06	RJFC6B
	Bayonet	—	—	—	IP67 Dust Cap for RJF Bayonet Plugs, Nickel	APC1060-ND	20.99	19.59	18.89	RJFC6N
	Push Pull	—	—	—	IP67 Dust Cap for RJF544 Push Pull Plugs	APC1001-ND	11.96	10.94	10.20	54402BM
	Thread	—	—	—	IP67 Dust Cap for RJFTV Threaded Plugs, Nickel	APC1092-ND	25.27	23.59	22.75	RJFTVC6N
5	Bayonet	—	—	—	IP67 Dust Cap for RJF Bayonet Square Flange Receptacles, Black	APC1057-ND	18.52	17.29	16.68	RJFC2B
	Bayonet	—	—	—	IP67 Dust Cap for RJF Bayonet Square Flange Rec., Olive Drab Cadmium	APC1292-ND	20.20	18.86	18.19	RJFC2G
	Bayonet	—	—	—	IP67 Dust Cap for RJF Bayonet Square Flange Receptacles, Nickel	APC1058-ND	19.53	18.23	17.58	RJFC2N
	Bayonet	—	—	—	IP67 Dust Cap for RJF Bayonet Jam Nut Receptacles, Black	APC1061-ND	23.58	22.01	21.23	RJFC7B
	Bayonet	—	—	—	IP67 Dust Cap for RJF Bayonet Jam Nut Receptacles, Nickel	APC1062-ND	24.58	22.94	22.12	RJFC7N
	Push Pull	—	—	—	IP67 Dust Cap for RJF544 Push Pull Receptacles	APC1000-ND	11.96	10.94	10.20	54402BE
	Push Pull	—	—	—	Panel Gasket for RJF544 Push Pull Square Flange Receptacles	APC1002-ND	1.43	1.11	1.00	54402JE
	Thread	—	—	—	IP67 Dust Cap for RJFTV Threaded Square Flange Receptacles, Nickel	APC1091-ND	24.38	22.76	21.95	RJFTVC2N
	Thread	—	—	—	IP67 Dust Cap for RJFTV Threaded Jam Nut Receptacles, Nickel	APC1093-ND	27.39	25.57	24.65	RJFTVC7N
	Reverse Bayonet	—	—	—	IP67 Dust Cap for RJFRB Reverse Bayonet Jam Nut Receptacles	APC1075-ND	9.01	7.84	7.05	RJFRBC7
—	Bayonet/SCC	—	—	—	Flange Gasket for RJF Bayonet and all with Self Closing Caps	APC1023-ND	1.48	1.15	1.03	JE18
	Bayonet	—	—	—	Flange Gasket for RJFTV Bayonet Square Flange Receptacles	APC1094-ND	2.86	2.22	1.97	JE19
	Quick Lever	—	—	—	IP67 Dust Cap for RJFEZ Quick Lever Receptacles	APC1070-ND	7.02	6.11	5.50	RJFEZBE
	Quick Lever	—	—	—	Panel Gasket for RJFEZ Quick Lever Square Flange Receptacles	APC1071-ND	1.03	.75	.69	RJFEZJE
Tools										
—	Bayonet	—	—	—	Removal Tool RJFTV Thread, RJF Bayonet Receptacle and Plug Insert	APC1063-ND	23.21	21.66	20.89	RJFODE
	Push Pull	—	—	—	Removal Tool for RJF455 Plug Inserts	APC1003-ND	8.49	7.39	6.65	54400T02



USB and IEEE 1394 Connection System for Harsh Environments



Features: • Tri-Start Thread coupling • Sealed against fluids and dusts (IP67) • Shock, vibration and traction resistant • No cabling operation in field and no tools required • Can insert a standard USB 2.0 or most standard IEEE 1394 cordsets into a metallic plug • Operating Temperature: -55°C ~ 85°C • Mating cycles: 500 ~ 1,500

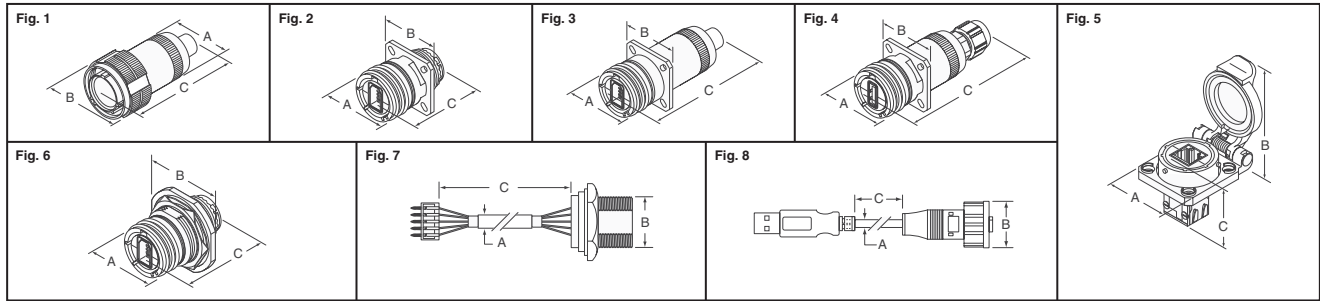


Fig.	Coupling Type	Dimensions - Inches (mm)			Description	Digi-Key Part No.	Price Each			Amphenol Part No.
		A	B	C			1	25	50	
USB										
1	Plug	.961 (24.4)	1.249 (31.72)	2.792 (70.91)	Plug Housing for USB to A Male cord	APC1107-ND	36.36	33.77	33.12	USBFTV6N
2	Receptacle	1.006 (25.5)	1.219 (30.96)	1.237 (31.41)	Square Flange A Receptacle to Receptacle, Nickel	APC1103-ND	27.87	26.01	25.09	USBFTV21N
	Receptacle	1.006 (25.5)	1.219 (30.96)	1.237 (31.41)	Square Flange A Receptacle to Solder, Nickel	APC1104-ND	27.57	25.73	24.82	USBFTV22N
3	Receptacle	1.006 (25.5)	1.219 (30.96)	3.422 (86.9)	Inline Square Flange A Receptacle to Receptacle with Backshell, Nickel	APC1105-ND†	53.82	49.99	49.02	USBFTV2PE1N
	Receptacle	1.006 (25.5)	1.219 (30.96)	3.422 (86.9)	Inline Jam Nut A Receptacle to Receptacle with Backshell, Nickel	APC1110-ND†	57.94	53.81	52.77	USBFTV7PE1N
5	Receptacle	1.006 (25.5)	1.219 (30.96)	1.052 (26.7)	Square Flange A Receptacle to Receptacle, Black with Self Closing Cap	APC1100-NDA	25.23	23.55	22.71	USBF21BSCC
	Receptacle	1.006 (25.5)	1.219 (30.96)	1.052 (26.7)	Square Flange A Receptacle to Receptacle, Nickel with Self Closing Cap	APC1101-NDA	26.35	24.59	23.71	USBF21NSCC
6	Receptacle	1.006 (25.5)	1.515 (38.47)	1.237 (31.42)	Jam Nut A Receptacle to Receptacle, Nickel	APC1108-ND	30.80	28.60	28.05	USBFTV71N
	Receptacle	1.006 (25.5)	1.515 (38.47)	1.237 (31.42)	Jam Nut A Receptacle to Solder, Nickel	APC1109-ND	30.50	28.33	27.79	USBFTV72N
7	Cable	0.197 (5)	0.811 (20.6)	1.968 (50.0)	Jam Nut B Receptacle to 5 Pin J45T 2.5mm Connector	APC1097-ND	10.97	10.04	9.36	USB8F7
8	Cable	0.197 (5)	0.811 (20.6)	39.37 (1,000)	Cord Male A to Sealed Male B	APC1095-ND	12.85	11.76	10.97	USB8F6100
	Cable	0.197 (5)	0.811 (20.6)	78.74 (2,000)	Cord Male A to Sealed Male B	APC1096-ND	12.20	11.40	10.99	USB8F6200
IEEE 1394										
1	Plug	.961 (24.4)	1.249 (31.72)	2.795 (71)	Plug Housing for IEEE 1394 Male Cord	APC1016-ND	39.74	36.91	36.20	FWFTV6N
2	Receptacle	1.006 (25.5)	1.219 (30.95)	1.332 (33.83)	Square Flange Receptacle to Receptacle, Nickel	APC1013-ND	29.51	27.40	26.88	FWFTV21N
	Receptacle	1.006 (25.5)	1.219 (30.95)	1.332 (33.83)	Square Flange Receptacle to Solder, Nickel	APC1014-ND	29.18	27.10	26.58	FWFTV22N
3	Receptacle	1.006 (25.5)	1.219 (30.95)	3.422 (86.9)	Inline Square Flange Receptacle to Receptacle with Backshell, Nickel	APC1015-ND†	62.89	58.41	57.28	FWFTV2PE1N
4	Receptacle	1.006 (25.5)	1.515 (38.5)	3.020 (77)	Inline Jam Nut Receptacle to Receptacle with Backshell, Nickel	APC1019-ND†	63.32	58.80	57.67	FWFTV7PE1N
5	Receptacle	1.417 (36)	1.890 (48)	1.052 (26.7)	Square Flange Receptacle to Receptacle, Black with Self Closing Cap	APC1010-NDA	28.44	26.54	25.59	FWF21BSCC
	Receptacle	1.417 (36)	1.890 (48)	1.052 (26.7)	Square Flange Receptacle to Receptacle, Nickel with Self Closing Cap	APC1011-NDA	28.83	26.91	25.95	FWF21NSCC
6	Receptacle	1.006 (25.5)	1.515 (38.5)	1.332 (33.8)	Jam Nut Receptacle to Receptacle, Nickel	APC1017-ND	34.92	32.43	31.81	FWFTV71N
	Receptacle	1.006 (25.5)	1.515 (38.5)	1.332 (33.8)	Jam Nut Receptacle to Solder, Nickel	APC1018-ND	34.59	32.13	31.51	FWFTV72N
Accessories										
IP67 Dust Cap for USBFTV Square Flange Receptacles						APC1112-ND	18.92	17.66	17.03	USBFTVC2N
IP67 Dust cap for USBFTV Plugs						APC1113-ND	19.65	18.35	17.69	USBFTVC6N
IP67 Dust Cap for USBFTV Jam Nut Receptacles						APC1114-ND	23.93	22.34	21.54	USBFTVC7N
Receptacle Cap for USB8F7 with Metal Chains						APC1098-ND	5.69	4.42	3.93	USB8FC7
IP67 Dust Cap for FWFTV Square Flange Receptacle						APC1020-ND	17.58	16.41	15.82	FWFTVC2N
Gasket for Square Flange Receptacles Both FWFTV and USBFTV						APC1024-ND	2.24	1.73	1.55	JE15
Tools										
Removal Tool for FWFTV Receptacle Inserts						APC1012-ND	22.34	20.86	20.11	FWFODE
Removal Tool for USBFTV Receptacle Inserts						APC102-ND	18.57	17.34	16.72	USBFODE

† Not IP67 Sealed Δ Use JE18 Gasket

Free shipping on orders over €65! All prices in euro and include duties. (EU2011-EN) 307