

# Amphenol® Pcd Ethernet and RJ11 Connection System for Harsh Environments

Features: • Multiple coupling types • Sealed against fluids and dusts (IP67) • Shock, vibration and traction resistant • No cabling operation in field and no tools required • With the patented RJStop® system you can use a standard RJ45/RJ11 cordset • Operating Temperature: -40°C - 85°C • Mating cycles: 500 minimum



A

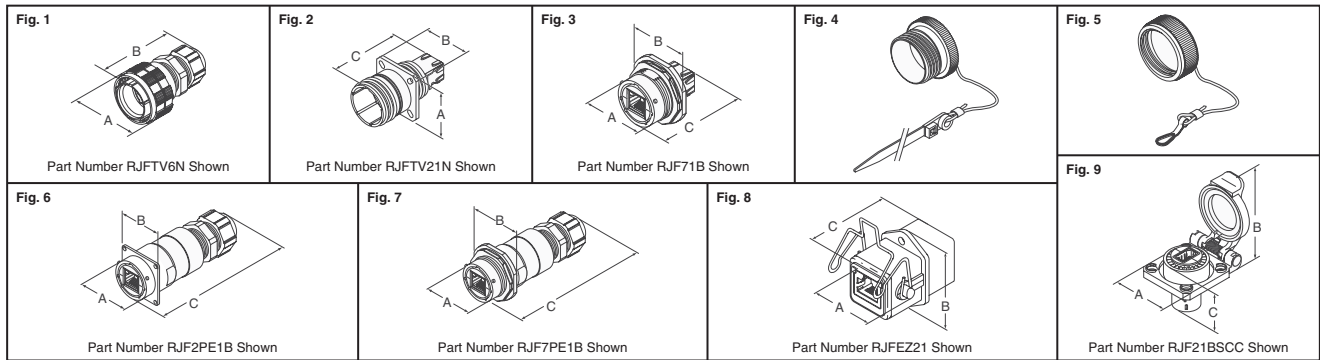


Fig.	Coupling Type	Dimensions - Inch (mm)			Description	Digi-Key Part No.	Price Each			Amphenol Part No.	
		A	B	C			1	25	50		
<b>RJ11</b>											
<b>Plugs</b>											
1	Bayonet	1.124 (28.55)	2.089 (53.06)	—	Housing For Cordset with Plastic Gland, Black	APC1120-ND	30.99	28.78	28.23	RJ11F6B	
	Bayonet	1.124 (28.55)	2.089 (53.06)	—	Housing For Cordset with Plastic Gland, Nickel	APC1121-ND	32.23	29.93	29.36	RJ11F6N	
<b>Receptacles</b>											
2	Bayonet	.874 (22.2)	1.126 (28.6)	1.563 (39.7)	Square Flange Receptacle to Receptacle, Black	APC1116-ND	32.45	30.13	29.55	RJ11F21B	
	Bayonet	.874 (22.2)	1.126 (28.6)	1.563 (39.7)	Square Flange Receptacle to Receptacle, Nickel	APC1117-ND	33.75	31.34	30.74	RJ11F21N	
	Bayonet	.874 (22.2)	1.126 (28.6)	1.563 (39.7)	Square Flange Receptacle to Solder, Black	APC1118-ND	30.92	28.72	28.16	RJ11F22B	
	Bayonet	.874 (22.2)	1.126 (28.6)	1.563 (39.7)	Square Flange Receptacle to Solder, Nickel	APC1119-ND	32.17	29.87	29.30	RJ11F22N	
3	Bayonet	.874 (22.2)	1.374 (34.9)	1.563 (39.7)	Jam Nut Receptacle to Receptacle, Black	APC1122-ND	44.78	41.58	40.78	RJ11F71B	
	Bayonet	.874 (22.2)	1.374 (34.9)	1.563 (39.7)	Jam Nut Receptacle to Receptacle, Nickel	APC1123-ND	46.57	43.25	42.42	RJ11F71N	
<b>Accessories</b>											
4	Bayonet	—	—	—	Cap for Plug, Black	APC1128-ND	24.98	23.32	22.49	RJ11FC6B	
	Bayonet	—	—	—	Cap for Plug, Nickel	APC1129-ND	25.99	24.25	23.39	RJ11FC6N	
5	Bayonet	—	—	—	Cap for Square Flange Receptacle, Black	APC1126-ND	24.62	22.99	22.17	RJ11FC2B	
	Bayonet	—	—	—	Cap for Square Flange Receptacle, Nickel	APC1127-ND	25.61	23.91	23.05	RJ11FC2N	
	Bayonet	—	—	—	Cap for Jam Nut Receptacle, Black	APC1130-ND	29.24	27.16	26.63	RJ11FC7B	
	Bayonet	—	—	—	Cap for Jam Nut Receptacle, Nickel	APC1131-ND	29.24	27.16	26.63	RJ11FC7N	
—	Bayonet	—	—	—	Panel Gasket for RJ11 Bayonet, Square Flange Receptacles	APC1115-ND	1.13	.82	.75	JE14	
<b>RJ45 (Ethernet)</b>											
<b>Plugs</b>											
1	Bayonet	1.374 (34.9)	2.275 (57.8)	—	Housing for Cordset with Plastic Gland, Black	APC1041-ND	22.02	20.55	19.82	RJF6B	
	Bayonet	1.374 (34.9)	2.275 (57.8)	—	Housing for Cordset with Plastic Gland, Nickel	APC1044-ND	22.87	21.35	20.59	RJF6N	
	Bayonet	1.374 (34.9)	2.275 (57.8)	—	Housing for Cordset with Metal Gland, Black	APC1042-ND	28.39	26.50	25.55	RJF6MB	
	Bayonet	1.374 (34.9)	2.275 (57.8)	—	Housing for Cordset with Metal Gland, Olive Drab Cadmium	APC1291-ND	29.00	27.07	26.10	RJF6MG	
	Bayonet	1.374 (34.9)	2.275 (57.8)	—	Housing for Cordset with Metal Gland, Nickel	APC1043-ND	28.46	26.56	25.62	RJF6MN	
	Reverse Bayonet	1.26 (32)	2.438 (61.94)	—	Housing for Cordset with Plastic Gland, Black	APC1072-ND	12.14	11.11	10.36	RJFRB6	
	Thread	1.5 (38)	2.2 (56)	—	Housing for Cordset with Metal Gland, Nickel	APC1083-ND	33.07	30.71	30.11	RJF7V6MN	
	Thread	1.5 (38)	2.2 (56)	—	Housing for Cordset with Plastic Gland, Nickel	APC1084-ND	28.92	26.85	26.34	RJFTV6N	
	Push Pull	1.279 (32.5)	2.519 (64)	—	Housing for Cordset with Plastic Gland, Black	APC1009-ND	11.80	10.33	9.80	RJF5446	
	Quick Lever	1.05 (26.7)	2.659 (67.5)	—	Housing for Cordset with Plastic Gland, Black (Square)	APC1069-ND	8.91	7.76	6.98	RJFEZ6	
<b>Receptacles</b>											
2	Bayonet	1.125 (28.58)	1.311 (33.3)	1.539 (39.1)	Square Flange Receptacle to Receptacle, Black	APC1025-ND	22.49	20.99	20.24	RJF21B	
	Bayonet	1.125 (28.58)	1.311 (33.3)	1.539 (39.1)	Square Flange Receptacle to Receptacle, Nickel	APC1027-ND	25.96	24.23	23.37	RJF21N	
	Bayonet	1.125 (28.58)	1.311 (33.3)	1.539 (39.1)	Square Flange Receptacle to Solder, Black	APC1029-ND	18.23	17.01	16.40	RJF22B00	
	Bayonet	1.125 (28.58)	1.311 (33.3)	1.539 (39.1)	Square Flange Receptacle to Solder, Nickel	APC1032-ND	21.40	19.97	19.26	RJF22N00	
	Bayonet	1.125 (28.58)	1.311 (33.3)	1.539 (39.1)	Square Flange Receptacle to 0.3 Meter Cord for 10/100 Base, TX Black	APC1030-ND	30.82	28.62	28.07	RJF22B03100BTX	
	Bayonet	1.125 (28.58)	1.311 (33.3)	1.539 (39.1)	Square Flange Receptacle to 1.0 Meter Cord for 10/100 Base, TX Black	APC1031-ND	31.74	29.48	28.91	RJF22B10100BTX	
	Bayonet	1.125 (28.58)	1.311 (33.3)	1.539 (39.1)	Square Flange Receptacle to 0.5 Meter Cord for 10/100 Base, TX Nickel	APC1034-ND	30.60	28.41	27.87	RJF22N05100BTX	
	Push Pull	.878 (22.3)	1.220 (31)	1.653 (42)	Square Flange Receptacle to Receptacle, Black	APC1004-ND	13.50	12.36	11.52	RJF54421	
	Push Pull	.878 (22.3)	1.220 (31)	1.653 (42)	Square Flange Receptacle to Receptacle, Metallized, Black	APC1008-ND	13.54	12.64	12.19	RJF5442M1	
	Push Pull	.878 (22.3)	1.220 (31)	1.653 (42)	Square Flange Receptacle to Solder, Black	APC1005-ND	12.53	11.70	11.28	RJF5442200	
	Push Pull	.878 (22.3)	1.220 (31)	13.40 (342)	Square Flange Receptacle to 0.3 Meter Cord for 10/100 Base, TX Black	APC1006-ND	24.29	22.67	21.86	RJF5442203100BTX	
	Thread	1.242 (31.55)	1.438 (36.53)	1.697 (43.1)	Square Flange Receptacle to Receptacle, Nickel	APC1076-ND	51.60	47.91	46.99	RJFTV21N	
	Thread	1.242 (31.55)	1.438 (36.53)	1.697 (43.1)	Square Flange Receptacle to Solder, Nickel	APC1077-ND	24.67	23.03	22.21	RJFTV22N00	
	3	Bayonet	1.125 (28.58)	1.626 (41.3)	1.539 (39.1)	Jam Nut Receptacle to Receptacle, Black	APC1045-ND	31.47	29.23	28.66	RJF71B
		Bayonet	1.125 (28.58)	1.626 (41.3)	1.539 (39.1)	Jam Nut Receptacle to Receptacle, Nickel	APC1046-ND	34.72	32.25	31.63	RJF71N
		Bayonet	1.125 (28.58)	1.626 (41.3)	1.539 (39.1)	Jam Nut Receptacle to Solder, Black	APC1048-ND	28.45	26.43	25.92	RJF72B00
		Bayonet	1.125 (28.58)	1.626 (41.3)	1.539 (39.1)	Jam Nut Receptacle to Solder, Nickel	APC1051-ND	31.08	28.86	28.31	RJF72N00
		Bayonet	1.125 (28.58)	1.626 (41.3)	13.34 (339)	Jam Nut Receptacle to 0.3 Meter Cord for 10/100 Base, TX Black	APC1049-ND	37.39	34.72	34.06	RJF72B03100BTX
Bayonet		1.125 (28.58)	1.626 (41.3)	13.34 (339)	Jam Nut Receptacle to 0.3 Meter Cord for 10/100 Base, TX Nickel	APC1052-ND	40.54	37.65	36.92	RJF72N03100BTX	
Bayonet		1.125 (28.58)	1.626 (41.3)	40.90 (1,039)	Jam Nut Receptacle to 1.0 Meter Cord for 10/100 Base, TX Black	APC1050-ND	38.20	35.47	34.79	RJF72B10100BTX	
Reverse Bayonet		1.079 (27.4)	1.339 (34)	1.729 (43.9)	Jam Nut Receptacle to Receptacle, Black (Front Mount)	APC1073-ND	15.28	14.27	13.76	RJFRB71	
Reverse Bayonet		1.079 (27.4)	1.339 (34)	1.691 (43)	Jam Nut Receptacle to Receptacle, Right Angle, Black (Front Mount)	APC1074-ND	17.05	15.91	15.35	RJFRB71RA	
Thread		1.242 (31.55)	1.812 (46)	1.696 (43.09)	Jam Nut Receptacle to Receptacle, Nickel	APC1085-ND	34.95	32.46	31.84	RJFTV71N	
Thread		1.242 (31.55)	1.812 (46)	1.696 (43.09)	Jam Nut Receptacle to Solder, Nickel	APC1086-ND	29.42	27.32	26.80	RJFTV72N00	
Thread		1.242 (31.55)	1.812 (46)	13.50 (343)	Jam Nut Receptacle to 0.3 Meter Cord for 10/100 Base, TX Nickel	APC1087-ND	43.87	40.74	39.96	RJFTV72N03100BTX	
6		Bayonet	1.125 (28.58)	1.311 (33.3)	3.23 (82)	Inline Square Flange Receptacle to Receptacle with Plastic Gland, Black	APC1035-ND	33.13	30.77	30.18	RJF2PE1B
		Bayonet	1.125 (28.58)	1.311 (33.3)	3.23 (82)	Inline Square Flange Receptacle to Receptacle with Plastic Gland, Nickel	APC1036-ND	38.93	36.16	35.46	RJF2PE1N
	Bayonet	1.125 (28.58)	1.311 (33.3)	3.23 (82)	Inline Square Flange Receptacle to Receptacle with Metal Gland, Black	APC1037-ND	41.57	38.61	37.86	RJF2PEM1B	
	Bayonet	1.125 (28.58)	1.311 (33.3)	3.23 (82)	Inline Square Flange Receptacle to Receptacle with Metal Gland, Nickel	APC1039-ND	39.32	36.51	35.81	RJF2PEM1N	
	Thread	1.242 (31.55)	1.438 (36.53)	3.622 (92)	Inline Square Flange Receptacle to Receptacle with Plastic Gland, Nickel	APC1080-ND	41.57	38.61	37.86	RJFTV2PE1N	
	Thread	1.242 (31.55)	1.438 (36.53)	3.622 (92)	Inline Square Flange Rec. to Rec. with Metal Gland, Olive Drab Cadmium	APC1293-ND	46.41	43.09	42.26	RJFTV2PEM1G	
7	Bayonet	1.125 (28.58)	1.626 (41.3)	3.23 (82)	Inline Jam Nut Receptacle to Receptacle with Plastic Gland, Black	APC1053-ND	42.52	39.49	38.73	RJF7PE1B	
	Bayonet	1.125 (28.58)	1.626 (41.3)	3.23 (82)	Inline Jam Nut Receptacle to Receptacle with Plastic Gland, Nickel	APC1054-ND	45.64	42.39	41.57	RJF7PE1N	

(Continued)

306 (EU2011-EN) **Free shipping on orders over €65! All prices in euro and include duties.**