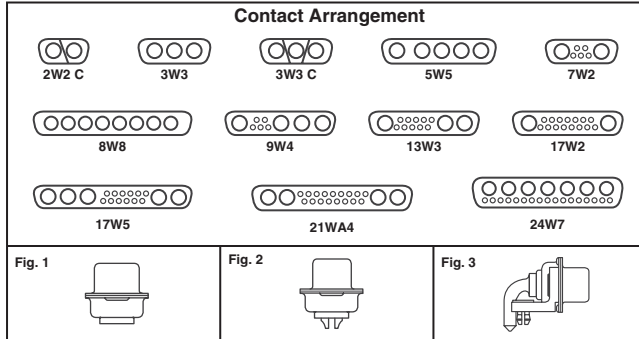


# CONEC® Combination D-Sub Connectors

Combination D-Subminiature connectors are available in a variety of applications. The design allows a combination of signal, high current, high voltage and coaxial contacts. **Features:** • Saves space • Cost factor, one item as compared to several different connectors • Contacts are screw machine type • The complete program is UL (E228929, UL 1977), UL (E202784, UL 1863), CSA (LR 115000-1) and VDE (4000044) approved **Specifications:** • Insulator: PBT/PV (ULV94V-0) • Shell: Steel • Shell Plating: Tin Plated • Contact Plating: Gold over Nickel • Contact Material: Copper Alloy • Mating cycles: 500



Contact Arrangement	Type	Digi-Key Part No.	Price Each			CONEC Part No.
			1	10	100	
<b>Fig. 1 — Crimp Style (Power Contacts Sold Separately)</b>						
2W2 C	Male	626-1094-ND	2.59	1.73	1.35	302W2CPCXX99A10X
2W2 C	Female	626-1093-ND	2.75	1.77	1.38	302W2CSXX99A10X
2W2 C	Female	626-1095-ND	3.39	2.22	1.81	302W2CSXX99A30X
3W3	Male	626-1102-ND	2.63	1.70	1.32	303W3PCXX99A10X
3W3	Female	626-1101-ND	2.45	1.64	1.31	303W3CSXX99A10X
3W3	Female	626-1103-ND	3.53	2.36	1.89	303W3CSXX99A30X
3W3 C	Male	626-1098-ND	2.45	1.64	1.31	303W3CPCXX99A10X
3W3 C	Female	626-1097-ND	2.80	1.81	1.41	303W3CSXX99A10X
3W3 C	Female	626-1099-ND	3.48	2.33	1.86	303W3CSXX99A30X
5W5	Male	626-1106-ND	2.63	1.70	1.32	3005W5PCXX99A10X
5W5	Female	626-1105-ND	2.71	1.81	1.45	3005W5CSXX99A10X
5W5	Female	626-1107-ND	—	2.92	—	3005W5SX99A30X
8W8	Male	626-1110-ND	2.95	1.97	1.58	3008W8PCXX99A10X
8W8	Female	626-1109-ND	3.12	2.09	1.67	3008W8CSXX99A10X
8W8	Female	626-1111-ND	4.13	2.76	2.21	3008W8SX99A30X

Contact Arrangement	Type	Digi-Key Part No.	Price Each			CONEC Part No.
			1	10	100	
<b>Fig. 2 — Solder Cup (Power Contacts Sold Separately)</b>						
7W2	Male	626-1114-ND	4.04	2.70	2.16	3007W2PCM99A10X
7W2	Female	626-1113-ND	5.21	3.48	2.79	3007W2SCM99A10X
9W4	Male	626-1118-ND	3.80	2.54	2.03	3009W4PCM99A10X
9W4	Female	626-1117-ND	5.38	3.59	2.88	3009W4SCM99A10X
13W3	Male	626-1126-ND	5.69	3.80	3.04	3013W3PCM99A10X
13W3	Female	626-1125-ND	6.69	4.95	4.02	3013W3SCM99A10X
17W2	Male	626-1122-ND	5.69	4.21	3.42	3017W2PCM99A10X
17W2	Female	626-1121-ND	8.57	6.35	5.15	3017W2SCM99A10X
17W5	Male	626-1130-ND	5.59	4.14	3.36	3017W5PCM99A10X
17W5	Female	626-1129-ND	7.69	5.69	4.62	3017W5SCM99A10X
21WA4	Male	626-1134-ND	8.59	6.36	5.16	321WA4PCM99A10X
21WA4	Female	626-1133-ND	9.97	7.38	5.99	321WA4SCM99A10X
24W7	Male	626-1138-ND	7.15	5.29	4.29	3024W7PCM99A10X
24W7	Female	626-1137-ND	9.01	7.01	5.81	3024W7SCM99A10X

Contact Arrangement	Type	Digi-Key Part No.	Price Each			CONEC Part No.
			1	10	100	
<b>Fig. 3 — PC Mount - Right Angle</b>						
2W2 C	Female	626-1096-ND	9.63	7.13	5.78	302W2CSXX56N40X
3W3 C	Female	626-1104-ND	11.28	8.78	7.27	3003W3CSXX56N40X
3W3 C	Female	626-1100-ND	10.92	8.50	7.04	3003W3CSXX56N40X
5W5	Female	626-1108-ND	15.77	12.27	10.17	3005W5CSXX56N40X
7W2	Female	626-1116-ND	15.01	11.68	9.68	3007W2CSXX56N40X
8W8	Female	626-1112-ND	19.96	15.97	13.97	3008W8CSXX56N40X
9W4	Female	626-1120-ND	16.30	12.69	10.51	3009W4CSXX56N40X
17W2	Female	626-1124-ND	17.51	13.63	11.29	3017W2CSXX56N40X
17W5	Female	626-1132-ND	20.21	16.17	14.15	3017W5CSXX56N40X
21WA4	Female	626-1136-ND	20.71	16.57	14.50	321WA4CSXX56N40X

Wire Size (AWG)	Type	Digi-Key Part No.	Price Each			CONEC Part No.
			1	10	100	
<b>Power Contacts</b>						
<b>Solder Cup</b>						
8 - 10	Pin	626-1143-ND	2.05	1.32	1.03	131C10049X
8 - 10	Socket	626-1147-ND	2.41	1.55	1.21	132C10049X
10 - 12	Pin	626-1142-ND	1.94	1.25	.97	131C10039X
10 - 12	Socket	626-1146-ND	2.41	1.55	1.21	132C10039X
12 - 14	Pin	626-1141-ND	2.11	1.36	1.06	131C10029X
12 - 14	Socket	626-1145-ND	2.78	1.79	1.39	132C10029X
16 - 20	Pin	626-1140-ND	2.41	1.55	1.21	131C10019X
16 - 20	Socket	626-1144-ND	2.41	1.55	1.21	132C10019X
<b>Crimp</b>						
8 - 10	Pin	626-1151-ND	2.07	1.34	1.04	131C11049X
8 - 10	Socket	626-1155-ND	2.81	1.88	1.50	132C11049X
10 - 12	Pin	626-1150-ND	1.99	1.28	1.00	131C11039X
10 - 12	Socket	626-1154-ND	2.41	1.55	1.21	132C11039X
12 - 14	Pin	626-1149-ND	1.99	1.28	1.00	131C11029X
12 - 14	Socket	626-1153-ND	2.30	1.48	1.15	132C11029X
16 - 20	Pin	626-1148-ND	1.94	1.25	.97	131C11019X
16 - 20	Socket	626-1152-ND	2.39	1.54	1.20	132C11019X
<b>50Ω - Coaxial</b>						
—	Pin	626-1156-ND	4.76	3.18	2.54	131J20019X
—	Socket	626-1160-ND	4.97	3.32	2.66	132J20019X
—	Pin	626-1157-ND	5.50	3.67	2.94	131J20029X
—	Socket	626-1161-ND	5.79	3.86	3.09	132J20029X
—	Pin	626-1158-ND	5.29	3.53	2.82	131J20049X
—	Socket	626-1162-ND	5.91	3.94	3.16	132J20049X
<b>75Ω - Coaxial</b>						
—	Pin	626-1159-ND	5.55	3.70	2.96	131J30019X
—	Socket	626-1163-ND	5.38	3.59	2.88	132J30019X

## Tools

Description	Digi-Key Part No.	Price Each	CONEC Part No.
Hand Crimp Tool for High Power Contacts	626-1287-ND	478.50	360X10409X
Insert Tool for High Power Contacts	626-1288-ND	194.91	360X20029X
Hand Crimp Tool for Coaxial Contacts (Outer Conductor)	626-1290-ND	306.92	360X10519X
Hex Die Tool Insert	626-1291-ND†	176.45	360X11019X
Hex Die Tool Insert	626-1292-ND†	167.50	360X11029X
Extraction Tool for Coaxial, High Power and Voltage Contacts	626-1289-ND	98.27	360X10319X

† Choice based on contact part number

## D-Sub Gender Changers

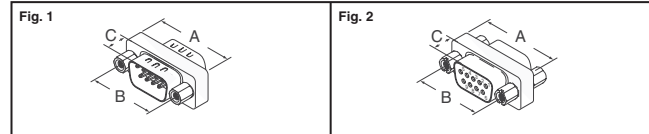
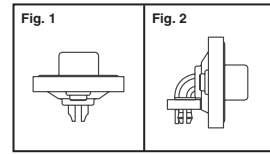


Fig.	No. of Pos.	Type	Dimensions (mm)			Digi-Key Part No.	Price Each			CONEC Part No.		
			A	B	C				1	10	100	
<b>Standard Density</b>												
1	9	M-M	31.19	25.00	6.12	626-1085-ND	2.43	1.62	1.30	320X12509X		
	15	M-M	39.52	33.30	6.12	626-1086-ND	2.47	1.65	1.32	320X12529X		
	25	M-M	53.42	47.04	5.99	626-1087-ND	3.46	2.31	1.85	320X10549X		
	37	M-M	69.70	63.50	5.99	626-1088-ND	4.54	3.03	2.43	320X12549X		
2	9	F-F	31.19	25.00	6.00	626-1089-ND	2.75	1.77	1.38	320X12519X		
	15	F-F	39.52	33.30	6.00	626-1090-ND	2.69	1.73	1.35	320X12539X		
	25	F-F	53.42	47.04	6.00	626-1091-ND	3.56	2.37	1.90	320X10559X		
	37	F-F	69.70	63.50	6.00	626-1092-ND	4.78	3.19	2.55	320X12559X		
<b>High Density</b>												
1	15	M-M	30.86	25.00	6.10	626-1297-ND	3.75	2.50	2.00	DAH1PPAAR04A		
	2	F-F	30.86	25.00	5.80	626-1296-ND	4.01	2.68	2.14	DAH1SSAA01A		

## Water Resistant D-Sub Connectors

Electronic equipment that is used in harsh outdoor or indoor environments, require connectors that can withstand moisture, dust and other elements that cause connectors to fail. CONEC® has developed the new water resistant connector meet IEC 529-IP67 specifications. This series of water resistant connectors can be successfully applied in applications where moisture, high humidity, water and dust are present. CONEC applies special sealing procedures to seal the connectors. The program is UL (E202784) and CSA (LR115000-1) approved.

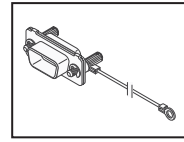


**Technical Data:**  
 • Insulators Polyester GF UL 94 V0 • Contacts Copper Alloy  
 • Contact Finish Hard Gold Plated over Nickel • Shell Brass/Steel • Shell Plating Tin Plated • Working Voltage 125V • Current Rating 5A (20°) • Insulation Resistance ≥5 GΩ • Operating Temperature -40°C - 105°C • Degree of Protection Requirements according to IEC 529-IP 67

Fig.	No. of Positions	Type	Digi-Key Part No.	Price Each			CONEC Part No.
				1	10	100	
<b>Solder Cup</b>							
1	9	Male	626-1164-ND	13.77	10.71	8.88	6STD09PC99B30X
	9	Female	626-1167-ND	12.45	9.69	8.03	6STD09SC99B30X
	15	Male	626-1165-ND	15.97	12.42	10.29	6STD15PC99B30X
	15	Female	626-1168-ND	15.19	11.82	9.79	6STD15SC99B30X
	25	Male	626-1166-ND	18.92	14.72	12.20	6STD25PC99B30X
2	9	Female	626-1169-ND	16.34	12.72	10.54	6STD25SC99B30X
	<b>PC Mount - Right Angle</b>						
2	9	Female	626-1170-ND	14.50	11.29	9.35	6STD09SCT99S40X
	15	Female	626-1171-ND	16.49	12.83	10.63	6STD15SCT99S40X
	25	Female	626-1172-ND	21.03	16.83	14.73	6STD25SCT99S40X

## Screen Caps with Lanyards and Captive Screws

**Features:** • Durable 4.25" long free rotating metal lanyard • For both male and female connectors • Water resistant (IP67) and standard versions • EMI/RFI protection  
**Technical Data:** • Metal shells with tin plating • Lanyard stainless steel wire rope (4.25" Long) • Thumbscrews steel nickel plate or stainless steel (IP67 versions only) • Maximum torque value for threads 6 in LB • TPE Ethylene Propylene Thermoplastic Rubber Seal (IP67 versions only)



Number of Positions	Type	Digi-Key Part No.	Price Each			CONEC Part No.
			1	10	100	
<b>Standard</b>						
9	Male	626-1344-ND	6.49	4.67	3.90	16-000380
	Male	626-1345-ND	6.52	4.89	4.08	16-000390
	Male	626-1346-ND	6.81	5.11	4.26	16-000400
	Female	626-1347-ND	6.30	4.73	3.94	16-000280
15	Female	626-1348-ND	6.74	5.06	4.22	16-000290
	Female	626-1349-ND	7.22	5.42	4.52	16-000300
<b>Water Resistant</b>						
9	Male	626-1338-ND	7.74	5.89	5.05	15-000110
	Male	626-1339-ND	7.96	6.06	5.19	15-000120
15	Male	626-1340-ND	8.33	6.34	5.43	15-000130
	Female	626-1341-ND	7.81	5.95	5.10	15-000010
9	Female	626-1342-ND	8.29	6.31	5.41	15-000020
	Female	626-1343-ND	8.88	6.76	5.79	15-000030