

molex™ MicroCross™ Digital Visual Interface (DVI) Connector System



MicroCross DVI has been chosen by the DDWG as the standard digital interface for connecting a host device and display device to support high-resolution video applications. Supporting one or two digital channels driven by Transition Minimized Differential Signaling (TMDS) and/or a high bandwidth analog interface, the MicroCross was chosen for its size, performance and cost. The innovative contact design provide the industry with a video interface design which supports over 1.65Gb/s per differential pair (for a total 9.9Gb/s over a dual link implementation) and 2.5GHz support for the analog interface. This innovative approach addresses the problem of an industry in transition. By providing a single high performance interface, precious board I/O space is saved and lower system costs are achieved. The interface provides added benefits of a high cycle life interface for mobile applications and the improved EMI performance needed for high speed links. The EMI performance is achieved through the 360° shielding of the MicroCross DVI cable and connector design.

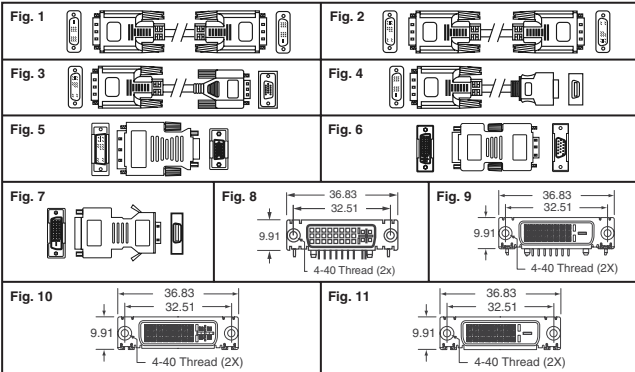
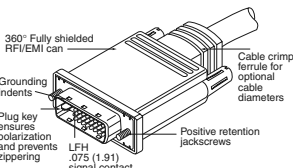


Fig.	Description	Digi-Key Part No.	Price Each			Molex Part No.
			1	25	50	
1	DVI-Digital to DVI-Digital, Single Link	WM18509-ND	17.93	16.44	14.95	88741-8000
2	DVI-Analog to DVI-Analog	WM18510-ND	35.14	32.22	29.29	88741-8200
3	DVI-Analog to VGA	WM18511-ND	28.69	26.30	23.91	88741-8300
4	DVI-Digital to DFP	WM18512-ND	38.25	35.07	31.88	88741-8600
5	DVI-Analog Plug to VGA Receptacle	WM18513-ND	9.04	8.29	7.54	88741-8700
6	DVI-I-Analog/Digital Receptacle to VGA Plug	WM18515-ND	18.17	16.66	15.15	88741-9100
7	DVI-Digital Receptacle to DFP Plug	WM18516-ND	21.27	19.51	17.73	88741-9300
8	DVI-I Right Angle Receptacle, Gold Flash	WM5600-ND	4.14	3.80	3.45	74320-1004
	DVI-D Right Angle Receptacle, with Forklock	WM6096-ND	4.34	3.98	3.62	74320-9010
	DVI-D Right Angle Receptacle, with Forklock	WM6097-ND	4.14	3.80	3.45	74320-9014
9	DVI-D Right Angle Receptacle, Gold Flash	WM5601-ND	3.93	3.61	3.29	74320-4004
	DVI-D Right Angle Receptacle, Gold	WM5718-ND	4.14	3.80	3.45	74320-4000
	DVI-D/ATX Right Angle Receptacle, with Forklock	WM6095-ND	3.93	3.61	3.29	74320-9004
10	DVI-I-Analog/Digital Receptacle, Gold	WM5714-ND	3.97	3.65	3.32	74320-3000
	DVI-I-Analog/Digital Receptacle, Gold Flash	WM5715-ND	3.78	3.47	3.15	74320-3004
11	DVI-D Digital Receptacle, Gold	WM5716-ND	3.82	3.50	3.18	74320-5000
	DVI-D Digital Receptacle, Gold Flash	WM5717-ND	3.62	3.32	3.02	74320-5004

Kit
WM8468-ND (76650-0143) **Deluxe Audio Data Application Kit**.
 (Includes HDMI, HDMI to DVI-D, MicroCross DVI-D and DVI-I, DisplayPort®, IEEE1394-1395, USB Type A and B, USB OTG (On-the-Go) mini-B, Micro USB-B Product Families) **38.07**

DisplayPort™ Interconnect System



The DisplayPort is designed for internal and external system solution for high bandwidth audio and video data transfer in the notebook and PC market.

Cable Assembly Features: Physical: • Positions: 20 • Color-Resin: Black Material: • Metal: Brass • Plating Mating: Gold • Resin: High Temperature Thermoplastic • Wire Size AWG: 30 Electrical: • Current: 0.50A maximum • Impedance: 100Ω • Shielded • Voltage: 40V maximum
Connector Features: Physical: • Positions: 20 • Operating Temperature Range: -20°C ~ 85°C Material: • Housing: High Temperature Thermal Plastic, Black, 30% Glass-filled, UL 94V-0 • Terminal and Shell: Copper Alloy Plating: • Terminal: Contact area 0.76µm, Gold plating and solder tail 1 ~ 3 µm, Tin Bismuth under plate 1 ~ 3µm, Nickel plating overall • Shell: 1.27 ~ 2.54µm solderable Nickel plating overall Electrical: • Current: 0.50A maximum • Shield Type: Full Shield • Voltage: 40VAC maximum

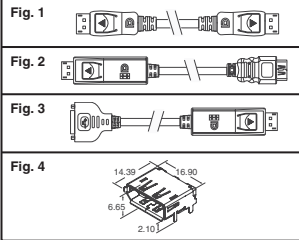


Fig.	Description	Digi-Key Part No.	Price Each			Tape and Reel Pricing†	Molex Part No.
			1	25	50		
Cable Assembly							
1	With Latch, 2M	WM19272-ND	28.02	25.69	23.36	—	68783-0007
	Without Latch, 2M	WM19273-ND	27.32	25.05	22.77	—	68783-0008
	With Latch, 3M	WM19298-ND	44.28	34.71	33.51	—	68783-0001
2	HDMI F to DisplayPort M, 5"	WM19294-ND§	32.26	29.58	26.89	—	74766-0005
	HDMI F to DisplayPort M, 10"	WM19296-ND	26.62	24.41	22.19	—	74766-8005
3	DVI-D F to DisplayPort M, 5"	WM19295-ND§	30.40	27.87	25.34	—	74766-0006
	DVI-D F to DisplayPort M, 10"	WM19297-ND	28.55	26.17	23.79	—	74766-8006
Connector Receptacle							
4	Right Angle, SMT, 0.50mm	WM19271CT-ND†	3.69	3.22	2.90	605.94	47272-0001

† Cut Tape ‡ For Tape and Reel part number, change CT-ND to TR-ND. § With Transient Voltage Suppression

High Definition Multimedia (HDMI) Interface Type C (Mini) Connector System



High Definition Multimedia Interface (HDMI) connectors and cable assemblies provide an uncompressed digital link between consumer electronics equipment such as DVD players, set-top boxes and audio/video monitors such as plasma display screens for high-definition televisions. HDMI is a small, user-friendly interconnect that provides up to 5 Gbps of bandwidth to support high-definition video plus multi-channel audio in a single cable.

HDMI Receptacle Features: • Optional mounting flange offers screw panel mounting and grounding • Dimples provide additional impedance control • Wide solder tabs for PCB hold-down • Grounding fingers provide mechanical and electrical stability.
Specifications: • Circuits/Positions: 19 • Pitch/Center Spacing: 0.50mm (.020 in.) • Voltage: 40V maximum • Current: 0.5A maximum

Cable Assembly Features: • Compact, user-friendly design meets consumer equipment needs • HDMI-DVI cables-DVI backward compatible • Mounting flange-protects solder joints; additional grounding • Signal layout-low impedance mismatch • Fully shielded-ESD protection
Specifications: • Gender: Male-to-Male • Cable Length: 1.0m (3.28 feet) • Shielded • Wire Size: 28AWG

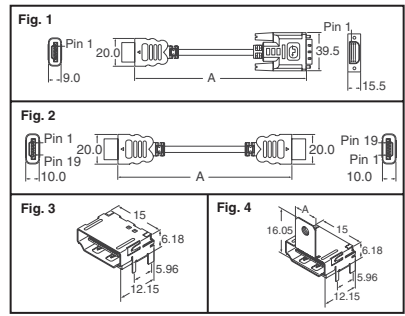


Fig.	Description	Dim. A (mm)	Digi-Key Part No.	Price Each			Tape and Reel†	Molex Part No.
				1	25	50		
1	HDMI to DVI-Digital Cable Assembly	1,000	WM19082-ND	12.19	11.18	10.16	—	88768-3500
			WM19090-ND	14.01	12.85	11.68	—	88768-3510
2	HDMI to HDMI Cable Assembly	1,000	WM19083-ND	11.07	10.15	9.23	—	88768-9800
			WM19091-ND	12.89	11.82	10.75	—	88768-9810
3	HDMI Receptacle, Right Angle, SMT	—	WM19084CT-ND†	4.82	4.42	4.02	500	1405.61
			WM19086CT-ND†	1.97	1.81	1.64	350	401.61
			WM19088CT-ND†	1.97	1.81	1.64	350	401.61
4	Panel Mount HDMI Receptacle, Right Angle with Screw Flange, SMT	7.5	WM19085-ND	4.82	4.42	4.02	—	500254-1931
			WM19087-ND	1.97	1.81	1.64	—	47151-0002
			WM19089-ND	1.97	1.81	1.64	—	47151-1002

† Cut Tape ‡ For Tape and Reel part number, change CT-ND to TR-ND.

High Definition Multimedia (HDMI) Interface Type D (Micro) Connector System



HDMI Receptacle: The HDMI Type D (Micro) connector is the industry's first miniaturized connector solution for delivering high definition video and images from mobile devices to flat panel screens. The connector is about half the size of the current Type C (Mini) HDMI connector on the market today.

Features: • Satisfy HDMI 1.4 Specification mechanical and electrical requirements • Customers enjoy all features and benefits of the HDMI 1.4 Specification • .40mm (.016") pitch dual-row receptacle • Half the size of the current Type-C (Mini) HDMI receptacle • 5,000 mating cycles for receptacles • Meets durability requirements for mobile applications • Full SMT, through hole shell tabs and hybrid SMT and through-hole shell tab versions • Offers multiple PCB mounting configurations and flexibility to suit customer applications and design requirements • Friction lock on receptacle shell offers excellent retention force and tactile feel when mating • Rear receptacle-shell-over-housing feature prevents damage to PCB receptacle from over-insertion of the cable plug • Receptacle terminal hold-down feature • Prevents terminal stubbing

Cable Assembly: HDMI Type-A connector and cable assemblies deliver the highest quality, high-definition content by providing an uncompressed digital connection from any audio/video source to an audio and/or video monitor over a single cable. Whether interfacing a set-top box, DVD player, or A/V receiver to a HDTV, the interconnect user is assured of the highest home-theater quality.

Features: • Compact and user-friendly design meets consumer equipment needs • 5 Gbps carries uncompressed audio and video in a single cable • HDMI to DVI cables DVI backward compatible • Mounting flange protects solder joints and provides additional grounding • Triad signal layout low impedance mismatch • Fully shielded connector EMI/RFI protection

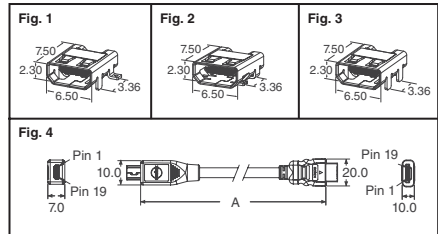


Fig.	Description	Dim. A (Meters)	Digi-Key Part No.	Price Each			Tape and Reel†	Molex Part No.
				1	25	50		
1	HDMI, Right Angle Receptacle, SMT, Hybrid Type Mount	—	WM1280CT-ND†	2.03	1.65	1.49	3,000	925.24M
2	HDMI, Right Angle Receptacle, SMT	—	WM1281CT-ND†	2.03	1.65	1.49	1,000	1031.80
3	HDMI, Right Angle Receptacle, SMT, Through Hole Shell Tabs	—	WM1282CT-ND†	2.03	1.65	1.49	3,000	925.24M
4	HDMI Type A to Type D Cable Assembly, 32AWG	2.0	WM1283-ND	12.53	11.70	11.28	—	687860003
			WM1284-ND	8.92	8.26	7.41	—	687860002
4	HDMI Type A to Type D Cable Assembly, 36AWG	1.5	WM1285-ND	10.74	9.94	8.92	—	687860006
			WM1286-ND	8.17	7.46	6.40	—	687860007

† Cut Tape ‡ For Tape and Reel part number, change CT-ND to TR-ND.

Digi-Reel™ Most SMT cutdown parts are available on a Digi-Reel®. For Digi-Reel part number, change 1-ND to 6-ND or CT-ND to DKR-ND. See Digi-Key® Services on page 2 for additional information.

Free shipping on orders over €65! All prices in euro and include duties. (EU2011-EN) 219