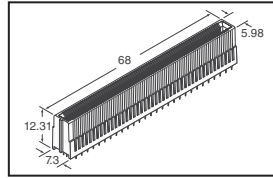


molex

MicroTCA Edge Card Connector



Dimensions in mm



Specifications:

Electrical: • Voltage: 250VAC Maximum • Current: 1.520A Maximum • CSA: LR19980 • UL: E29179

Physical: • Housing: Glass-filled Thermoplastic, UL 94V-0, Black • Terminals: Brass • Durability (mating cycles): 200 cycles minimum • Entry Angle: Vertical • Keying to Mating Part: None • Pitch: .75mm (.030 Inch) • Operating Temperature Range: -40°C ~ 105°C • Termination Interface Style: Through Hole

No. of Circuits	Digi-Key Part No.	1	10	25	100	Molex Part No.
170	WM10252-ND	23.64	18.92	15.77	12.61	75594-0000

.40mm and .50mm Pitch SlimStack™ Connectors



Features: • 0.9mm ~ 4.00mm stacking heights • Metal friction lock provides secure mating • High temperature housing • Durable blade on beam contact interface • Anti-flux design **Specifications:** • Housing: Glass-filled LCP • Flammability: UL94V-0 • Contact Plating: Gold

.40mm Pitch Connectors

Dimensions in mm

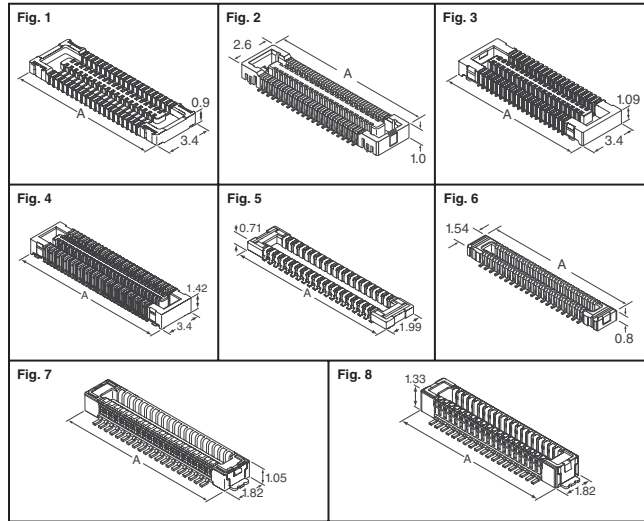


Fig.	No. of Circuits	Dim. A (mm)	Digi-Key Part No.	1	10	25	100	Molex Part No.
Receptacles								
0.90mm Stacking Height								
1	20	7.1	WM24041-ND	3.14	2.52	2.10	1.68	501591-2011-C
	30	9.1	WM24042-ND	3.92	3.15	2.62	2.10	501591-3011-C
	40	11.1	WM24043-ND	4.71	3.77	3.15	2.52	501591-4011-C
	70	17.1	WM24044-ND	7.33	5.87	4.89	3.91	501591-7011-C
1.0mm Stacking Height								
2	20	7.1	WM24070-ND	1.57	1.26	1.05	.84	502426-2010-C
	26	8.3	WM24071-ND	1.71	1.38	1.15	.92	502426-2610-C
	32	9.5	WM24072-ND	2.10	1.68	1.40	1.12	502426-3210-C
	40	11.1	WM24073-ND	2.33	1.87	1.56	1.25	502426-4010-C
	50	13.1	WM24074-ND	2.86	2.29	1.91	1.53	502426-5010-C
	60	15.1	WM24075-ND	3.09	2.48	2.07	1.65	502426-6010-C
3	64	15.9	WM24076-ND	3.43	2.75	2.29	1.83	502426-6410-C
	80	19.1	WM24077-ND	4.19	3.36	2.80	2.24	502426-8010-C
	1.30mm Stacking Height							
3	30	9.1	WM24053-ND	3.14	2.52	2.10	1.68	501527-0330-C
	40	11.1	WM24054-ND	4.14	3.31	2.76	2.21	501527-0430-C
	50	13.1	WM24055-ND	4.71	3.77	3.15	2.52	501527-0530-C
	90	21.1	WM24056-ND	7.17	5.74	4.79	3.83	501527-0930-C
1.70mm Stacking Height								
4	40	11.1	WM24049-ND	2.04	1.64	1.37	1.09	501635-0410-C
	60	15.1	WM24050-ND	2.43	1.95	1.62	1.30	501635-0610-C
Headers								
0.90mm Stacking Height								
5	20	6.05	WM24045-ND	2.98	2.39	1.99	1.60	501594-2011-C
	30	8.05	WM24046-ND	3.77	3.02	2.52	2.02	501594-3011-C
	40	10.05	WM24047-ND	4.50	3.61	3.01	2.41	501594-4011-C
	70	16.05	WM24048-ND	6.81	5.45	4.54	3.63	501594-7011-C
1.0mm Stacking Height								
6	20	6.26	WM24078-ND	1.17	.94	.79	.63	502430-2010-C
	26	7.46	WM24079-ND	1.29	1.04	.86	.69	502430-2610-C
	32	8.66	WM24080-ND	1.43	1.15	.96	.77	502430-3210-C
	40	10.26	WM24081-ND	1.67	1.34	1.12	.89	502430-4010-C
	50	12.26	WM24082-ND	2.10	1.68	1.40	1.12	502430-5010-C
	60	14.26	WM24083-ND	2.57	2.06	1.72	1.38	502430-6010-C
	64	15.06	WM24084-ND	2.90	2.33	1.94	1.55	502430-6410-C
	80	18.26	WM24085-ND	3.33	2.67	2.23	1.78	502430-8010-C

Fig.	No. of Circuits	Dim. A (mm)	Digi-Key Part No.	1	10	25	100	Molex Part No.
1.30mm Stacking Height								
7	30	8.06	WM24057-ND	2.62	2.10	1.75	1.40	501531-0310-C
	40	10.06	WM24058-ND	3.56	2.85	2.38	1.90	501531-0410-C
	50	12.06	WM24059-ND	3.98	3.19	2.66	2.13	501531-0510-C
	90	20.06	WM24060-ND	6.28	5.03	4.19	3.36	501531-0910-C
1.70mm Stacking Height								
8	40	10.06	WM24051-ND	2.14	1.72	1.43	1.15	501639-0410-C
	60	14.06	WM24052-ND	3.00	2.40	2.00	1.60	501639-0610-C

.50mm Pitch Connectors

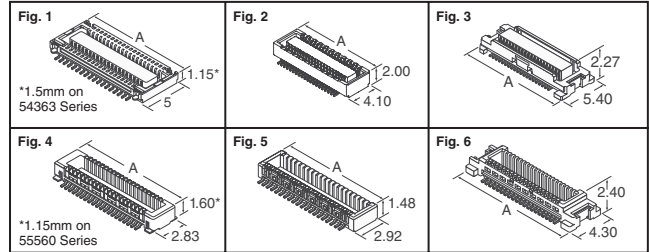


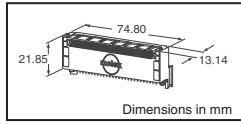
Fig.	No. of Circuits	Dim. A (mm)	Digi-Key Part No.	1	10	25	100	Molex Part No.
Receptacles								
1.50mm Stacking Height (without Solder Tabs)								
1	16	6.6	WM23965-ND	1.92	1.54	1.29	1.03	54722-0168-C
	20	7.6	WM23966-ND	2.40	1.93	1.61	1.29	54722-0207-C
	22	8.1	WM23967-ND	2.38	1.91	1.59	1.27	54722-0228-C
	24	8.6	WM23968-ND	3.97	3.18	2.65	2.12	54722-0248-C
	34	11.1	WM23970-ND	4.08	3.27	2.73	2.18	54722-0348-C
	40	12.6	WM23971-ND	6.25	5.01	4.17	3.34	54722-0408-C
	50	15.3	WM24033-ND	5.40	4.33	3.61	2.89	54722-0507-C
1	60	17.6	WM23973-ND	6.48	5.19	4.33	3.46	54722-0607-C
	2.00mm and 3.00mm Stacking Height (with Solder Tabs)							
1	20	8.9	WM23983-ND	6.59	5.28	4.40	3.52	54363-0278-C
	30	11.4	WM23984-ND	4.71	3.77	3.15	2.52	54363-0378-C
	50	16.4	WM23986-ND	6.05	4.84	4.04	3.23	54363-0578-C
	60	18.9	WM23987-ND	5.91	4.73	3.94	3.16	54363-0678-C
	80	23.9	WM23988-ND	13.90	11.12	9.27	7.42	54363-0878-C
2.50mm Stacking Height								
2	20	7.6	WM23995-ND	3.16	2.53	2.11	1.69	54102-0208-C
	80	23.96	WM24000-ND	5.24	4.19	3.49	2.80	54150-0878-C
3.00mm and 4.00mm Stacking Height								
3	20	8.8	WM24007-ND	1.80	1.44	1.20	.96	52991-0208-C
	30	11.3	WM24008-ND	2.02	1.62	1.35	1.08	52991-0308-C
	40	13.8	WM24009-ND	4.01	3.22	2.68	2.15	52991-0408-C
	70	21.3	WM24069-ND	7.77	6.22	5.18	4.15	52991-0708-C
	80	23.8	WM24012-ND	9.14	7.32	6.10	4.88	52991-0808-C
Headers								
1.50mm Stacking Height								
4	16	5.45	WM23974-ND	1.20	.96	.80	.64	55560-0168-C
	20	6.45	WM23975-ND	2.07	1.66	1.38	1.11	55560-0207-C
	22	6.95	WM23976-ND	1.95	1.57	1.31	1.05	55560-0227-C
	24	7.45	WM23977-ND	2.17	1.74	1.45	1.16	55560-0247-C
	34	9.95	WM23979-ND	6.10	4.88	4.07	3.26	55560-0347-C
	40	11.45	WM23980-ND	4.80	3.85	3.21	2.57	55560-0407-C
4	60	16.45	WM23982-ND	6.12	4.90	4.09	3.27	55560-0607-C
	2.00mm Stacking Height							
4	20	7.75	WM23989-ND	9.41	7.53	6.28	5.02	55201-0278-C
	30	10.25	WM23991-ND	2.01	1.61	1.34	1.08	55650-0388-C
	40	12.75	WM23992-ND	3.18	2.55	2.12	1.70	55650-0488-C
	50	15.25	WM23993-ND	6.05	4.84	4.03	3.23	55650-0588-C
	60	17.75	WM23994-ND	6.51	5.21	4.35	3.48	55650-0688-C
4	80	22.75	WM23990-ND	13.27	10.62	8.85	7.08	55201-0878-C
	2.50mm Stacking Height							
5	20	6.45	WM24001-ND	2.78	2.23	1.86	1.49	53885-0208-C
	30	8.95	WM24002-ND	3.32	2.66	2.22	1.78	53885-0308-C
	40	11.45	WM24003-ND	4.10	3.28	2.74	2.19	53885-0408-C
	50	13.95	WM24004-ND	4.91	3.93	3.27	2.62	53885-0508-C
	60	16.45	WM24005-ND	5.61	4.49	3.74	2.99	53885-0608-C
	80	22.75	WM24006-ND	6.69	5.36	4.47	3.58	53949-0878-C
3.00mm Stacking Height								
6	20	8.8	WM24013-ND	2.71	2.17	1.81	1.45	53748-0208-C
	30	11.3	WM24014-ND	3.21	2.57	2.14	1.71	53748-0308-C
	40	13.8	WM24015-ND	3.41	2.73	2.28	1.82	53748-0408-C
	70	21.3	WM24068-ND	7.82	6.27	5.22	4.18	53748-0708-C
	80	23.8	WM24018-ND	8.27	6.62	5.52	4.42	53748-0808-C

AMC Connector - 0.75mm



Advanced Mezzanine Card Connector (AMC)

Features: • B+ style • Reflow capable • Mates with AMC.0 Modules • Press-fit technology for easy, reliable board termination • Meets PICMG AMC.0 Rev. 1 specification **Electrical:** • Contact Resistance: 60mΩ max. • Insulation Resistance: 10MΩ minimum **Physical:** • Housing Material: LCP Liquid Crystal Polymer, Glass-filled • Color: Black • Flammability: UL94V-0 • Contact: Copper (Cu) Alloy • Plating Contact: 0.76µm (30µ") Gold (Au) • Plating Tail: Tin (Sn) • Temperature Range: -40°C ~ 105°C



No. of Circuits	Current Max. (A)	Voltage Max. (V)	Withstanding Voltage	Digi-Key Part No.	1	10	100	Molex Part No.
170	1.0	250	300VAC	WM17218-ND	48.34	40.29	35.59	75800-0001