

molex Micro-Fit 3.0™ Connectors (Cont.)

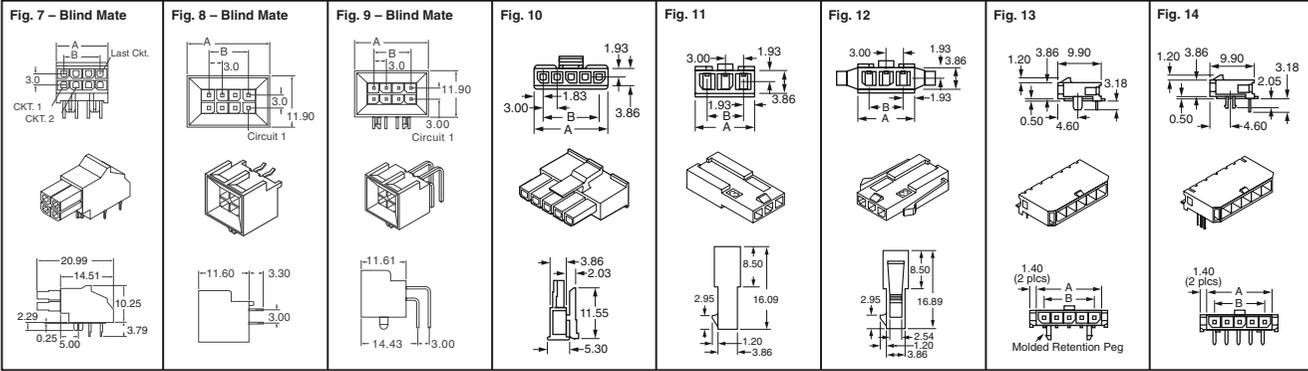


Fig.	Circuits	Dimensions - mm		Plating	Digi-Key Part No.	Price Each			Molex Part No.	
		A	B			1	10	100		
5A	8	15.65	9.00	Gold, 30µ"	WM1822-ND	3.12	2.76	1.84	43045-0802	
	10	18.65	12.00	Gold, 30µ"	WM1823-ND	3.66	3.23	2.16	43045-1002	
	12	21.65	15.00	Gold, 30µ"	WM1824-ND	4.71	4.16	2.77	43045-1202	
	14	24.65	18.00	Gold, 30µ"	WM4729-ND	4.75	4.19	2.80	43045-1402	
	16	27.65	21.00	Gold, 30µ"	WM4730-ND	5.30	4.68	3.12	43045-1602	
	18	30.65	24.00	Gold, 30µ"	WM4731-ND	5.96	5.26	3.51	43045-1802	
	20	33.65	27.00	Gold, 30µ"	WM4732-ND	6.63	5.85	3.90	43045-2002	
	22	36.65	30.00	Gold, 30µ"	WM4733-ND	7.29	6.43	4.29	43045-2202	
	24	39.65	33.00	Gold, 30µ"	WM4734-ND	7.96	7.02	4.68	43045-2402	
	Right Angle Header — Through-Hole with PCB Clips — RoHS Compliant									
5A	2	6.65	—	Tin	WM2672-ND	1.21	1.07	.71	43045-0221	
	4	9.65	3.00	Tin	WM2673-ND	1.59	1.41	.94	43045-0421	
	6	12.65	6.00	Tin	WM2674-ND	1.79	1.58	1.06	43045-0621	
	8	15.65	9.00	Tin	WM2675-ND	2.15	1.90	1.27	43045-0821	
	10	18.65	12.00	Tin	WM2676-ND	2.74	2.43	1.62	43045-1021	
	12	21.65	15.00	Tin	WM2677-ND	3.13	2.77	1.85	43045-1221	
Right Angle Header — SMT with Fitting Nails — RoHS Compliant										
5B	2	6.65	—	Tin	WM1825-ND	2.49	2.20	1.47	43045-0209	
	4	9.65	3.00	Tin	WM1826-ND	3.02	2.66	1.78	43045-0409	
	6	12.65	6.00	Tin	WM1827-ND	3.49	3.08	2.06	43045-0609	
	8	15.65	9.00	Tin	WM1828-ND	4.09	3.61	2.41	43045-0809	
	10	18.65	12.00	Tin	WM1829-ND	4.58	4.04	2.70	43045-1009	
	12	21.65	15.00	Tin	WM1830-ND	5.05	4.46	2.97	43045-1209	
	2	6.65	—	Gold, 30µ"	WM1831-ND	3.24	2.86	1.91	43045-0211	
	4	9.65	3.00	Gold, 30µ"	WM1832-ND	4.04	3.57	2.38	43045-0411	
	6	12.65	6.00	Gold, 30µ"	WM1833-ND	4.79	4.23	2.82	43045-0611	
	8	15.65	9.00	Gold, 30µ"	WM1834-ND	5.68	5.02	3.35	43045-0811	
5A	10	18.65	12.00	Gold, 30µ"	WM1835-ND	6.43	5.67	3.78	43045-1011	
	12	21.65	15.00	Gold, 30µ"	WM1836-ND	7.19	6.35	4.23	43045-1211	
	Right Angle Header — Through-Hole w/PCB Clips — RoHS Compliant									
	5A	2	6.65	—	Gold, 15µ"	WM2678-ND	1.34	1.18	.79	43045-0222
		4	9.65	3.00	Gold, 15µ"	WM2679-ND	1.95	1.72	1.15	43045-0422
		6	12.65	6.00	Gold, 15µ"	WM2680-ND	2.42	2.14	1.43	43045-0622
8		15.65	9.00	Gold, 15µ"	WM2681-ND	2.92	2.58	1.72	43045-0822	
10		18.65	12.00	Gold, 15µ"	WM2682-ND	3.40	3.00	2.00	43045-1022	
12		21.65	15.00	Gold, 15µ"	WM2683-ND	3.87	3.42	2.28	43045-1222	
BMI Vertical Receptacle Header with Friction Pegs (Blind Mate)										
6	4	12.00	3.00	Tin	WM1953-ND	2.15	1.90	1.27	44769-0401	
	6	15.00	6.00	Tin	WM1954-ND	2.72	2.40	1.60	44769-0601	
	8	18.00	9.00	Tin	WM1955-ND	3.30	2.92	1.95	44769-0801	
	10	21.00	12.00	Tin	WM1956-ND	3.87	3.42	2.28	44769-1001	
	12	24.00	15.00	Tin	WM1957-ND	4.44	3.92	2.62	44769-1201	
	16	30.00	21.00	Tin	WM1959-ND	5.60	4.94	3.30	44769-1601	
	4	12.00	3.00	Gold	WM1960-ND	2.68	2.37	1.58	44769-0402	
	6	15.00	6.00	Gold	WM1961-ND	3.40	3.01	2.01	44769-0602	
	8	18.00	9.00	Gold	WM1962-ND	4.13	3.65	2.43	44769-0802	
	10	21.00	12.00	Gold	WM1963-ND	4.86	4.29	2.86	44769-1002	
7	12	24.00	15.00	Gold	WM1964-ND	5.56	4.91	3.27	44769-1202	
	14	27.00	18.00	Gold	WM1965-ND	6.29	5.56	3.71	44769-1402	
	16	30.00	21.00	Gold	WM1966-ND	7.00	6.18	4.12	44769-1602	
	BMI Right Angle Receptacle Header with Friction Pegs (Blind Mate)									
	7	6	9.70	6.00	Tin	WM1982-ND	3.03	2.68	1.79	44764-0601
		10	15.70	12.00	Tin	WM1984-ND	4.34	3.83	2.56	44764-1001
12		18.70	15.00	Tin	WM1985-ND	4.98	4.40	2.94	44764-1201	
14		21.70	18.00	Tin	WM1986-ND	5.63	4.97	3.31	44764-1401	
16		24.70	21.00	Tin	WM1987-ND	5.98	5.28	3.52	44764-1601	
8		6	9.70	6.00	Gold	WM1989-ND	3.80	3.35	2.24	44764-0602
	10	15.70	12.00	Gold	WM1991-ND	5.42	4.79	3.19	44764-1002	
	14	21.70	18.00	Gold	WM1993-ND	7.03	6.21	4.14	44764-1402	
	BMI Vertical Header with Polarizing Pegs (Blind Mate)									
	8	4	13.00	3.00	Tin	WM1967-ND	1.42	1.26	.84	44432-0401
		6	16.00	6.00	Tin	WM1968-ND	1.80	1.59	1.06	44432-0601
8		19.00	9.00	Tin	WM1969-ND	2.19	1.93	1.29	44432-0801	
10		22.00	12.00	Tin	WM1970-ND	2.56	2.26	1.51	44432-1001	
12		25.00	15.00	Tin	WM1971-ND	2.93	2.59	1.73	44432-1201	
16		31.00	21.00	Tin	WM1973-ND	3.70	3.27	2.18	44432-1601	
8	6	16.00	6.00	Gold	WM1975-ND	2.26	1.99	1.33	44432-0602	
	8	19.00	9.00	Gold	WM1976-ND	2.73	2.41	1.61	44432-0802	

Fig.	Circuits	Dimensions - mm		Plating	Digi-Key Part No.	Price Each			Molex Part No.	
		A	B			1	10	100		
8	10	22.00	12.00	Gold	WM1977-ND	3.21	2.84	1.89	44432-1002	
	12	25.00	15.00	Gold	WM1978-ND	3.68	3.25	2.17	44432-1202	
	14	28.00	18.00	Gold	WM1979-ND	4.16	3.68	2.45	44432-1402	
	16	31.00	21.00	Gold	WM1980-ND	4.63	4.09	2.73	44432-1602	
	BMI Right Angle Header (Blind Mate)									
9	4	13.00	3.00	Tin	WM1995-ND	1.71	1.52	1.01	44428-0401	
	6	16.00	6.00	Tin	WM1996-ND	2.16	1.92	1.28	44428-0601	
	8	19.00	9.00	Tin	WM1997-ND	2.64	2.34	1.56	44428-0801	
	10	22.00	12.00	Tin	WM1998-ND	3.10	2.74	1.83	44428-1001	
	12	25.00	15.00	Tin	WM1999-ND	3.56	3.14	2.10	44428-1201	
	14	28.00	18.00	Tin	WM2025-ND	4.01	3.55	2.37	44428-1401	
	16	31.00	21.00	Tin	WM2026-ND	4.49	3.96	2.64	44428-1601	
	4	13.00	3.00	Gold	WM2027-ND	2.14	1.89	1.26	44428-0402	
	6	16.00	6.00	Gold	WM2028-ND	2.71	2.40	1.60	44428-0602	
	8	19.00	9.00	Gold	WM2029-ND	3.31	2.92	1.95	44428-0802	
	10	22.00	12.00	Gold	WM2030-ND	3.87	3.42	2.28	44428-1002	
	12	25.00	15.00	Gold	WM2031-ND	4.44	3.93	2.62	44428-1202	
14	28.00	18.00	Gold	WM2032-ND	5.02	4.44	2.96	44428-1402		
16	31.00	21.00	Gold	WM2033-ND	5.61	4.95	3.30	44428-1602		
Receptacle Housing — RoHS Compliant										
10	2	6.85	3.00	—	WM1845-ND	.53	.33	.19	43645-0200	
	3	9.85	6.00	—	WM1846-ND	.58	.36	.21	43645-0300	
	4	12.85	9.00	—	WM1847-ND	.71	.45	.26	43645-0400	
	5	15.85	12.00	—	WM1848-ND	.69	.43	.25	43645-0500	
	6	18.85	15.00	—	WM1849-ND	.61	.43	.29	43645-0600	
	7	21.85	18.00	—	WM2405-ND	.59	.53	.36	43645-0700	
	8	24.85	21.00	—	WM2406-ND	.69	.49	.33	43645-0800	
	9	27.85	24.00	—	WM2407-ND	.69	.61	.41	43645-0900	
	10	30.85	27.00	—	WM2408-ND	.74	.66	.44	43645-1000	
	11	33.85	30.00	—	WM2409-ND	.80	.71	.48	43645-1100	
	12	36.85	33.00	—	WM2410-ND	.87	.77	.52	43645-1200	
	Plug Housing without Panel Mounts — RoHS Compliant									
11	2	6.85	3.00	—	WM1855-ND	.61	.38	.22	43640-0201	
	3	9.85	6.00	—	WM1856-ND	.66	.42	.24	43640-0301	
	4	12.85	9.00	—	WM1857-ND	.71	.45	.26	43640-0401	
	5	15.85	12.00	—	WM1858-ND	.51	.46	.31	43640-0501	
	6	18.85	15.00	—	WM1859-ND	.55	.50	.33	43640-0601	
	7	21.85	18.00	—	WM2417-ND	.59	.53	.36	43640-0701	
	8	24.85	21.00	—	WM2418-ND	.64	.56	.38	43640-0801	
	10	30.85	27.00	—	WM2420-ND	.74	.66	.44	43640-1001	
	Plug Housing with Panel Mounts — RoHS Compliant									
	12	2	6.85	3.00	—	WM1850-ND	.61	.38	.22	43640-0200
3		9.85	6.00	—	WM1851-ND	.43	.38	.22	43640-0300	
4		12.85	9.00	—	WM1852-ND	.46	.41	.28	43640-0400	
5		15.85	12.00	—	WM1853-ND	.51	.46	.31	43640-0500	
6		18.85	15.00	—	WM1854-ND	.55	.50	.33	43640-0600	
8		24.85	21.00	—	WM2412-ND	.64	.56	.38	43640-0800	
Right Angle Header — RoHS Compliant										
13		2	6.85	3.00	Tin	WM1860-ND	.93	.83	.56	43650-0200
	3	9.85	6.00	Tin	WM1861-ND	1.04	.81	.62	43650-0300	
	4	12.85	9.00	Tin	WM1862-ND	1.29	1.14	.76	43650-0400	
	5	15.85	12.00	Tin	WM1863-ND	1.45	1.29	.86	43650-0500	
	6	18.85	15.00	Tin	WM1864-ND	1.63	1.44	.96	43650-0600	
	7	21.85	18.00	Tin	WM2423-ND	1.81	1			