

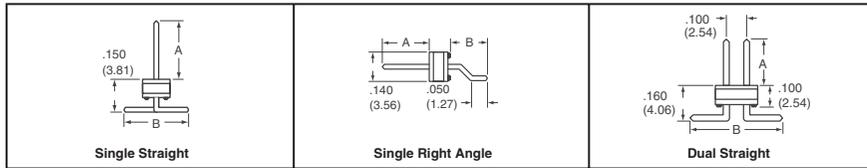
SULLINS .1" (2.54mm) Female Headers (Cont.)

Contact Finish	No. of Contacts	Dimensions Inch (mm)		Digi-Key Part No.	Pricing			Sullins Part No.
		A	B		1	100	1000	
Gold	14	.600 (15.24)	.720 (18.28)	S5716-ND	1.57	13.00	82.96	NPPC072KFMS-RC
	16	.700 (17.78)	.820 (20.82)	S5717-ND	1.77	14.63	93.33	NPPC082KFMS-RC
	18	.800 (20.32)	.920 (23.36)	S5718-ND	1.96	16.26	103.70	NPPC092KFMS-RC
	20	.900 (22.86)	1.02 (25.90)	S5719-ND	2.02	16.72	106.67	NPPC102KFMS-RC
	22	1.00 (25.40)	1.12 (28.44)	S5720-ND	2.16	17.88	114.07	NPPC112KFMS-RC
	24	1.10 (27.94)	1.22 (30.98)	S5721-ND	2.24	18.58	118.52	NPPC122KFMS-RC
	26	1.20 (30.48)	1.32 (33.52)	S5722-ND	2.41	19.97	127.41	NPPC132KFMS-RC
	28	1.30 (33.02)	1.42 (36.06)	S5723-ND	2.61	21.60	137.78	NPPC142KFMS-RC
	30	1.40 (35.56)	1.52 (38.60)	S5724-ND	2.80	23.22	148.15	NPPC152KFMS-RC
	34	1.60 (40.64)	1.72 (43.68)	S5726-ND	3.06	25.31	161.48	NPPC172KFMS-RC
	36	1.70 (43.18)	1.82 (46.22)	S5727-ND	3.25	26.94	171.85	NPPC182KFMS-RC
	40	1.90 (48.26)	2.02 (51.30)	S5729-ND	3.62	29.96	191.11	NPPC202KFMS-RC
	42	2.00 (50.80)	2.12 (53.84)	S5730-ND	3.73	30.89	197.04	NPPC212KFMS-RC
	44	2.10 (53.34)	2.22 (56.38)	S5731-ND	3.90	32.28	205.93	NPPC222KFMS-RC

Contact Finish	No. of Contacts	Dimensions Inch (mm)		Digi-Key Part No.	Pricing			Sullins Part No.
		A	B		1	100	1000	
Gold	46	2.20 (55.88)	2.32 (58.92)	S5732-ND	4.09	33.91	216.30	NPPC232KFMS-RC
	48	2.30 (58.42)	2.42 (61.46)	S5733-ND	4.26	35.30	225.18	NPPC242KFMS-RC
	50	2.40 (60.96)	2.52 (64.00)	S5734-ND	4.43	36.69	234.07	NPPC252KFMS-RC
	52	2.50 (63.50)	2.62 (66.54)	S5735-ND	4.63	38.32	244.44	NPPC262KFMS-RC
	54	2.60 (66.04)	2.72 (69.08)	S5736-ND	4.80	39.71	253.33	NPPC272KFMS-RC
	56	2.70 (68.58)	2.82 (71.62)	S5737-ND	4.96	41.11	262.22	NPPC282KFMS-RC
	58	2.80 (71.12)	2.92 (74.16)	S5738-ND	5.16	42.73	272.59	NPPC292KFMS-RC
	60	2.90 (73.66)	3.02 (76.70)	S5739-ND	5.33	44.12	281.48	NPPC302KFMS-RC
	62	3.00 (76.20)	3.12 (79.24)	S5740-ND	5.49	45.52	290.37	NPPC312KFMS-RC
	64	3.10 (78.74)	3.22 (81.78)	S5741-ND	5.69	47.14	300.74	NPPC322KFMS-RC
	66	3.20 (81.28)	3.32 (84.32)	S5742-ND	5.86	48.54	309.63	NPPC332KFMS-RC
	68	3.30 (83.82)	3.42 (86.86)	S5743-ND	6.03	49.93	318.52	NPPC342KFMS-RC
	70	3.40 (86.36)	3.52 (89.40)	S5744-ND	6.22	51.56	328.89	NPPC352KFMS-RC
	72	3.50 (88.90)	3.62 (91.94)	S5745-ND	6.39	52.95	337.78	NPPC362KFMS-RC
	74	3.60 (91.44)	3.72 (94.48)	S5746-ND	6.56	54.34	346.67	NPPC372KFMS-RC
	76	3.70 (93.98)	3.82 (97.02)	S5747-ND	6.76	55.97	357.04	NPPC382KFMS-RC
78	3.80 (96.52)	3.92 (99.56)	S5748-ND	6.93	57.36	365.93	NPPC392KFMS-RC	
80	3.90 (99.06)	4.02 (102.10)	S5749-ND	7.10	58.75	374.81	NPPC402KFMS-RC	



.1" (2.54mm) SMT Male Headers



Features: • .025" (.64mm) square pins • Available in 36-pin version or 1 - 35 size to meet your application • Temperature Range: -65°C ~ 125°C
 • UL Flammability Rating: 94V-0 • Current Rating: 3 amperes
Materials: • Insulator Material: Black thermoplastic polyester • Contact Material: CA510, phosphor bronze • Contact Plating: Head: GEC - .00010" Tin; GBC - .00010" Gold; Tail: .00010" Tin

TO PURCHASE A 36 PIN HEADER... NOTE: Calculated prices may vary due to fluctuating exchange rates.

Contact Finish	Dimensions Inch (mm)	Digi-Key Part No.	Pricing			Sullins Part No.
			1	100	1000	
Single Row Straight SMT (36 Pins)						
Tin	0.230 (5.84)	S1013E-36-ND	2.35	21.04	173.21	GEC36SABN-M30
	0.318 (8.08)	S1023E-36-ND	2.65	23.69	195.07	GEC36SABN-M30
Gold	0.230 (5.84)	S1033E-36-ND	3.00	23.82	166.77	GBC36SABN-M30
	0.318 (8.08)	S1043E-36-ND	3.48	27.63	193.39	GBC36SABN-M30
Single Row Right-Angle SMT (36 Pins)						
Tin	0.230 (5.84)	S1113E-36-ND	2.65	23.99	195.07	GEC36SBSN-M89
	0.318 (8.08)	S1123E-36-ND	2.79	24.91	205.16	GEC36SBSN-M89
Gold	0.230 (5.84)	S1133E-36-ND	4.04	32.03	224.22	GBC36SBSN-M89
	0.318 (8.08)	S1143E-36-ND	3.08	27.57	227.03	GBC36SBSN-M89
Dual Row Straight SMT (72 Pins)						
Tin	0.230 (5.84)	S2331E-36-ND	3.38	30.22	248.89	GEC36DABN-M30
	0.318 (8.08)	S2341E-36-ND	4.22	37.78	311.11	GEC36DFBN-M30
Gold	0.230 (5.84)	S2351E-36-ND	4.47	35.44	248.05	GBC36DABN-M30
	0.318 (8.08)	S2361E-36-ND	5.73	45.45	318.12	GBC36DFBN-M30

TO PURCHASE A CUSTOM PIN HEADER...

Digi-Key Part No.	STEP 1	STEP 2	STEP 3
Single Row Straight (36 Pins)			
S1013E-XX-ND		1.257	.056
S1023E-XX-ND		1.337	.064
S1033E-XX-ND		1.393	.064
S1043E-XX-ND		1.610	.072
Single Row Right-Angle (36 Pins)			
S1113E-XX-ND		1.025	.048
S1123E-XX-ND		1.169	.048
S1133E-XX-ND		1.297	.072
S1143E-XX-ND		1.201	.056
Dual Row Straight (72 Pins)			
S2331E-XX-ND		1.554	.080
S2341E-XX-ND		1.962	.096
S2351E-XX-ND		1.762	.096
S2361E-XX-ND		2.202	.120

HOW TO ORDER: 4 EASY STEPS

How do I order an S1013E single row header with 16 pins?

Call Digi-Key for pricing, or determine the cost yourself following the steps below.

S □ □ □ □ □ - □ □ - ND

Base Part Number Number of Desired Pins per Row

- Step 1. Select needed Digi-Key Part Number and number of pins desired.
- Step 2. Begin with the appropriate "Base Price" of your selected part number (refer to chart).
- Step 3. Multiply the number of pins per row you desire by the "Pin Adder" of your selected part number (refer to chart).
- Step 4. Add Step 2 and Step 3 together for final cost!

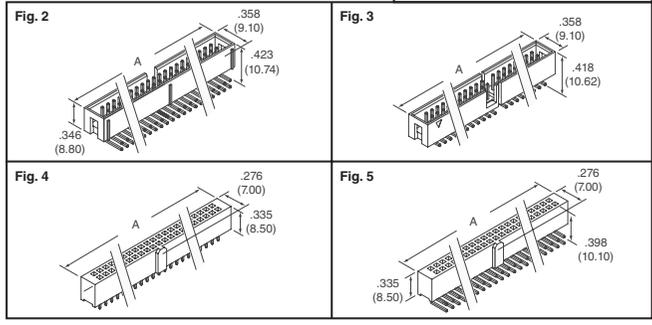
Our Example:
 Step 1. S1013E-16-ND
 Step 2. 1.257
 Step 3. 16 x .056 = .896
 Step 4. Your Cost = 2.16

NOTE: For quantities of 10 or more, call DIGI-KEY.

.1" (2.54mm) Headers

Male Shrouded Box Headers: Specifications: • Operating Temperature: -40° ~ 85°C (SBH11-NBPC-D: -40° ~ 105°C)
 • Processing Temperature: 230°C for 60 seconds maximum (260°C, 10 seconds) • UL Flammability Rating: 94V-0
 • Voltage Rating: 20mV maximum • Current Rating: 3A per contact • Voltage Drop: 500VAC • Insulation Resistance: 1000MΩ

Female Shrouded Box Headers: Specifications: • Operating Temperature: -40° ~ 105°C • Processing Temperature: 230°C for 60 seconds maximum (260°C, 10 seconds) • UL Flammability Rating: 94V-0 • Voltage Rating: 20mV maximum • Current Rating: 3A per contact • Dielectric Withstanding: 500VAC • Insulation Resistance: 1000MΩ



Contact Finish	No. of Contacts	Dimension A Inch (mm)	Digi-Key Part No.	Pricing			Sullins Part No.
				1	100	1000	
Fig. 1 — Dual Row Male Headers, Straight							
Gold	10	0.793 (20.14)	S9169-ND	.22	4.80	13.61	SBH11-PBPC-D05-ST-BK
	14	0.993 (25.22)	S9170-ND	.26	5.77	16.34	SBH11-PBPC-D07-ST-BK
	16	1.094 (27.80)	S9171-ND	.26	5.77	16.34	SBH11-PBPC-D08-ST-BK

Contact Finish	No. of Contacts	Dimension A Inch (mm)	Digi-Key Part No.	Pricing			Sullins Part No.
				1	100	1000	
Gold	20	1.294 (32.88)	S9172-ND	.32	7.21	20.42	SBH11-PBPC-D10-ST-BK
	26	1.594 (40.50)	S9173-ND	.40	9.13	25.87	SBH11-PBPC-D13-ST-BK
	34	1.996 (50.70)	S9174-ND	.45	10.09	28.59	SBH11-PBPC-D17-ST-BK
	40	2.295 (58.30)	S9175-ND	.49	11.05	31.31	SBH11-PBPC-D20-ST-BK
	50	2.797 (71.05)	S9176-ND	.66	14.89	42.20	SBH11-PBPC-D25-ST-BK

Contact Finish	No. of Contacts	Dimension A Inch (mm)	Digi-Key Part No.	Pricing			Sullins Part No.
				1	100	1000	
Fig. 2 — Dual Row Male Headers, Right Angle							
Gold	10	0.793 (20.14)	S9177-ND	.38	8.65	24.50	SBH11-PBPC-D05-RA-BK
	14	0.993 (25.22)	S9178-ND	.46	10.57	29.95	SBH11-PBPC-D07-RA-BK
	16	1.094 (27.80)	S9179-ND	.49	11.05	31.31	SBH11-PBPC-D08-RA-BK
	20	1.294 (32.88)	S9180-ND	.55	12.49	35.40	SBH11-PBPC-D10-RA-BK
	26	1.594 (40.50)	S9181-ND	.64	14.41	40.84	SBH11-PBPC-D13-RA-BK

Contact Finish	No. of Contacts	Dimension A Inch (mm)	Digi-Key Part No.	Pricing			Sullins Part No.
				1	100	1000	
Fig. 3 — Dual Row Male Headers, SMT							
Gold	10	0.793 (20.14)	S9185-ND	.68	15.38	43.56	SBH11-NBPC-D05-SM-BK
	14	0.993 (25.22)	S9186-ND	.76	17.30	49.01	SBH11-NBPC-D07-SM-BK
	16	1.094 (27.80)	S9187-ND	.76	17.30	49.01	SBH11-NBPC-D08-SM-BK
	20	1.294 (32.88)	S9188-ND	.82	18.74	53.09	SBH11-NBPC-D10-SM-BK
	24	1.509 (38.32)	S9189-ND	.95	21.62	61.26	SBH11-NBPC-D12-SM-BK
	26	1.594 (40.50)	S9190-ND	.95	21.62	61.26	SBH11-NBPC-D13-SM-BK
	34	1.996 (50.70)	S9191-ND	1.02	23.06	65.35	SBH11-NBPC-D17-SM-BK
	40	2.295 (58.30)	S9192-ND	1.19	26.91	76.24	SBH11-NBPC-D20-SM-BK

Contact Finish	No. of Contacts	Dimension A Inch (mm)	Digi-Key Part No.	Pricing			Sullins Part No.
				1	100	1000	
Fig. 4 — Dual Row Female Headers, Straight							
Gold	10	0.700 (17.78)	S9194-ND	.42	9.61	27.23	SFH11-PBPC-D05-ST-BK
	14	0.900 (22.86)	S9195-ND	.59	13.45	38.12	SFH11-PBPC-D07-ST-BK
	16	1.000 (25.40)	S9196-ND	.68	15.38	43.56	SFH11-PBPC-D08-ST-BK
	20	1.200 (30.48)	S9197-ND	.76	17.30	49.01	SFH11-PBPC-D10-ST-BK
	26	1.500 (38.10)	S9198-ND	.98	22.10	62.62	SFH11-PBPC-D13-ST-BK
	34	1.900 (48.26)	S9199-ND	1.27	28.83	81.68	SFH11-PBPC-D17-ST-BK
	40	2.200 (55.88)	S9200-ND	1.38	31.23	88.49	SFH11-PBPC-D20-ST-BK
	50	2.700 (68.58)	S9201-ND	1.72	38.92	110.27	SFH11-PBPC-D25-ST-BK

Contact Finish	No. of Contacts	Dimension A Inch (mm)	Digi-Key Part No.	Pricing			Sullins Part No.
				1	100	1000	
Fig. 5 — Dual Row Female Headers, Right Angle							
Gold	10	0.700 (17.78)	S9202-ND	.51	11.53	32.67	SFH11-PBPC-D05-RA-BK
	14	0.900 (22.86)	S9203-ND	.72	16.34	46.29	SFH11-PBPC-D07-RA-BK
	16	1.000 (25.40)	S9204-ND	.82	18.74	53.09	SFH11-PBPC-D08-RA-BK
	20	1.200 (30.48)	S9205-ND	.98	22.10	62.62	SFH11-PBPC-D10-RA-BK
	26	1.500 (38.10)	S9206-ND	1.25	28.35	80.32	SFH11-PBPC-D12-RA-BK
	34	1.900 (48.26)	S9207-ND	1.63	37.00	104.82	SFH11-PBPC-D17-RA-BK
	40	2.200 (55.88)	S9208-ND	1.83	41.32	117.08	SFH11-PBPC-D20-RA-BK
	50	2.700 (68.58)	S9209-ND	2.15	48.53	137.50	SFH11-PBPC-D25-RA-BK

Free shipping on orders over €65! All prices in euro and include duties. (EU2011-EN) 177