

JST EH Series 2.0mm Connectors (Cont.)



Description	Digi-Key Part No.	Cut Tape Pricing		T&R Pricing 9,000	JST Part No.
		1	10		
Contact					
30 – 22 AWG	455-1042-1-ND	.02	.21	10.38/M	SEH-001T-P0.6
Crimp Tool					
30 – 22 AWG Contacts	455-1043-ND	385.51/1	—	—	WC-260

For Tape and Reel part number, change 1-ND to 2-ND.

XH Series 2.5mm Connectors



The XH connector was developed based on the high reliability and versatility of the NH series connectors. The connector is very small with a mounting height of 9.8mm (.386").
Specifications: • Current Rating: 3A AC/DC (AWG #22) • Voltage Rating: 250V AC/DC • Temperature Range: -25°C – 85°C • Applicable Wire: 30 – 22 AWG • Applicable PC Board Thickness: 1.6mm (.063")

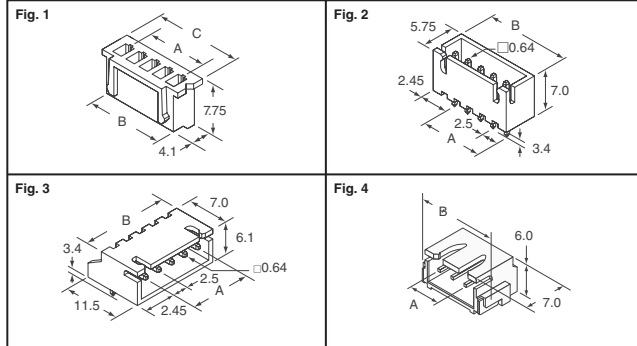


Fig.	Circuits	Dimension - mm			Digi-Key Part No.	Pricing			JST Part No.	
		A	B	C		1	10	100		
Housing										
1	1	—	3.2	4.8	455-2220-ND	.18	1.67	13.85	XHP-1	
	2	2.5	5.7	7.3	455-2266-ND	.05	.43	3.62	XHP-2	
	3	5.0	8.2	9.8	455-2219-ND	.06	.48	4.01	XHP-3	
	4	7.5	10.7	12.3	455-2267-ND	.06	.48	4.01	XHP-4	
	5	10.0	13.2	14.8	455-2268-ND	.06	.54	4.48	XHP-5	
	6	12.5	15.7	17.3	455-2218-ND	.07	.63	5.27	XHP-6	
	7	15.0	18.2	19.8	455-2269-ND	.07	.66	5.51	XHP-7	
	8	17.5	20.7	22.3	455-1902-ND	.08	.73	6.05	XHP-8	
	9	20.0	23.2	24.8	455-2217-ND	.11	1.02	8.49	XHP-9	
	10	22.5	25.7	27.3	455-2210-ND	.11	1.03	8.57	XHP-10	
2	11	25.0	28.2	29.8	455-2216-ND	.14	1.34	11.16	XHP-11	
	12	27.5	30.7	32.3	455-2215-ND	.15	1.42	11.80	XHP-12	
	13	30.0	33.2	34.8	455-2214-ND	.18	1.63	13.52	XHP-13	
	14	32.5	35.7	37.3	455-2213-ND	.22	2.10	17.45	XHP-14	
	15	35.0	38.2	39.8	455-2212-ND	.23	2.14	17.84	XHP-15	
	16	37.5	40.7	42.3	455-2209-ND	.40	3.71	30.89	XHP-16	
	20	47.5	50.7	52.3	455-2211-ND	.55	5.08	42.30	XHP-20	
	Headers									
	Top Entry (Shrouded)									
	2	2	2.5	7.4	—	455-2247-ND	.07	.66	5.51	B2B-XH-A(LF)(SN)(P)
3		5.0	9.9	—	455-2248-ND	.09	.85	7.08	B3B-XH-A(LF)(SN)(P)	
4		7.5	12.4	—	455-2249-ND	.12	1.15	9.54	B4B-XH-A(LF)(SN)	
5		10.0	14.9	—	455-2270-ND	.15	1.39	11.64	B5B-XH-A(LF)(SN)	
6		12.5	17.4	—	455-2271-ND	.18	1.63	13.57	B6B-XH-A(LF)(SN)	
7		15.0	19.9	—	455-2252-ND	.21	1.95	16.19	B7B-XH-A(LF)(SN)(P)	
8		17.5	22.4	—	455-2251-ND	.23	2.15	17.92	B8B-XH-A(LF)(SN)(P)	
9		20.0	24.9	—	455-2244-ND	.26	2.41	20.07	B9B-XH-A(LF)(SN)	
10		22.5	27.4	—	455-2253-ND	.30	2.80	23.38	B10B-XH-A(LF)(SN)(P)	
11		25.0	29.9	—	455-2255-ND	.32	2.96	24.69	B11B-XH-A(LF)(SN)	
12		27.5	32.4	—	455-2259-ND	.37	3.42	28.51	B12B-XH-A(LF)(SN)	
13		30.0	34.9	—	455-2260-ND	.39	3.64	30.35	B13B-XH-A(LF)(SN)	
14		32.5	37.4	—	455-2258-ND	.42	3.94	32.81	B14B-XH-A(LF)(SN)	
15		35.0	39.9	—	455-2254-ND	.46	4.24	35.32	B15B-XH-A(LF)(SN)	
16		37.5	42.4	—	455-2241-ND	.49	4.48	37.32	B16B-XH-A(LF)(SN)	
Top Entry (Shrouded) With Boss										
2	1	—	4.9	—	455-2227-ND	.17	1.54	12.84	B1B-XH-AM(LF)(SN)	
	2	2.5	7.4	—	455-2273-ND	.08	.74	6.13	B2B-XH-AM(LF)(SN)	
	3	5.0	9.9	—	455-2231-ND	.10	.94	7.86	B3B-XH-AM(LF)(SN)	
	4	7.5	12.4	—	455-2237-ND	.14	1.23	10.22	B4B-XH-AM(LF)(SN)(P)	
	5	10.0	14.9	—	455-2239-ND	.15	1.43	11.95	B5B-XH-AM(LF)(SN)	
	6	12.5	17.4	—	455-2238-ND	.19	1.78	14.83	B6B-XH-AM(LF)(SN)	
	7	15.0	19.9	—	455-2235-ND	.22	2.03	16.90	B7B-XH-AM(LF)(SN)	
	8	17.5	22.4	—	455-2232-ND	.24	2.23	18.60	B8B-XH-AM(LF)(SN)	
	10	22.5	27.4	—	455-2234-ND	.31	2.86	23.84	B10B-XH-AM(LF)(SN)	
	12	27.5	32.4	—	455-2233-ND	.38	3.51	29.23	B12B-XH-AM(LF)(SN)	
	Side Entry (Shrouded)									
	3	2	2.5	7.4	—	455-2257-ND	.10	.95	7.97	S2B-XH-A(LF)(SN)
3		5.0	9.9	—	455-2250-ND	.13	1.20	10.01	S3B-XH-A(LF)(SN)	
4		7.5	12.4	—	455-2243-ND	.17	1.51	12.63	S4B-XH-A(LF)(SN)	
5		10.0	14.9	—	455-2242-ND	.20	1.82	15.15	S5B-XH-A(LF)(SN)	

Fig.	Circuits	Dimension - mm			Digi-Key Part No.	Pricing			JST Part No.
		A	B	C		1	10	100	
6	6	12.5	17.4	—	455-2236-ND	.25	2.32	19.34	S6B-XH-A(LF)(SN)
	7	15.0	19.9	—	455-2240-ND	.29	2.67	22.28	S7B-XH-A(LF)(SN)
	8	17.5	22.4	—	455-2225-ND	.31	2.85	23.74	S8B-XH-A(LF)(SN)
	9	20.0	24.9	—	455-2224-ND	.37	3.40	28.36	S9B-XH-A(LF)(SN)
	10	22.5	27.4	—	455-2228-ND	.38	3.57	29.77	S10B-XH-A(LF)(SN)
	3	11	25.0	29.9	—	455-2226-ND	.46	4.27	35.59
12		27.5	32.4	—	455-2221-ND	.50	4.67	38.89	S12B-XH-A(LF)(SN)
13		30.0	34.9	—	455-2223-ND	.54	5.04	41.98	S13B-XH-A(LF)(SN)
14		32.5	37.4	—	455-2222-ND	.56	5.14	42.82	S14B-XH-A(LF)(SN)
15		35.0	39.9	—	455-2272-ND	.68	6.29	52.41	S15B-XH-A(LF)(SN)
16		37.5	42.4	—	455-2229-ND	.77	7.09	59.08	S16B-XH-A(LF)(SN)



Fig.	Circuits	Dimension - mm			Digi-Key Part No.	Cut Tape Pricing			Tape & Reel Pricing	JST Part No.
		A	B	C		1	10	100		
Headers										
SMT Entry (Shrouded)										
4	3	5.0	12.5	—	455-2263-1-ND	.50	4.65	38.78	155.13	S3B-XH-SM4-TB(LF)(SN)
	4	7.5	15.0	—	455-2262-1-ND	.57	5.26	43.87	175.46	S4B-XH-SM4-TB(LF)(SN)
	6	12.5	20.0	—	455-2264-1-ND	.76	6.98	58.23	232.90	S6B-XH-SM4-TB(LF)(SN)

For Tape and Reel part number, change 1-ND to 2-ND.

Description	Digi-Key Part No.	Cut Tape Pricing		Tape & Reel Pricing	JST Part No.
		1	10		
Contacts					
30 – 26 AWG	455-2261-1-ND	.03	.26	13.21/M	SXH-002T-P0.6
28 – 22 AWG	455-1135-1-ND	.03	.26	13.21/M	SXH-001T-P0.6
Tools					
Crimp Tool for 30 – 26 AWG	455-2245-ND	171.26/1	—	—	YRS-480
Crimp Tool for 28 – 22 AWG	455-1136-ND	373.62/1	—	—	WC-110
Extraction Tool	455-2246-ND	41.50/1	—	—	XJ-06

For Tape and Reel part number, change 1-ND to 2-ND.

XA Series 2.5mm Connectors



Features:
 • Locking device to prevent accidental disconnection • Header wafer made of glass filled PA66 nylon, effective against solder crack • Low insertion force • Insertion guide mechanism
Specifications:
 • Current Rating: 3A AC/DC (AWG 20) • Voltage Rating: 250V AC/DC • Temperature Range: -25°C – 85°C • Applicable Wire: AWG 28 – 20

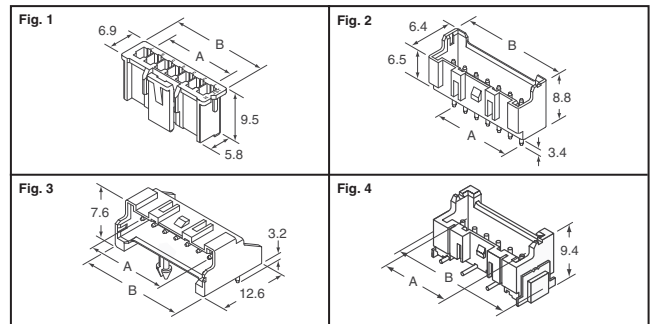


Fig.	Circuits	Dimensions - mm		Digi-Key Part No.	Pricing			JST Part No.
		A	B		1	10	100	
Housing								
3	3	5.0	9.8	455-2149-ND	.06	.56	4.69	XAP-03V-1(P)
	4	7.5	12.3	455-2150-ND	.08	.70	5.85	XAP-04V-1(P)
	5	10.0	14.8	455-2151-ND	.07	.67	5.61	XAP-05V-1
	6	12.5	17.3	455-2152-ND	.10	.92	7.65	XAP-06V-1(P)
	7	15.0	19.8	455-2153-ND	.10	.94	7.84	XAP-07V-1
	1	8	17.5	22.3	455-2154-ND	.16	1.49	12.39
9		20.0	24.8	455-2155-ND	.16	1.51	12.53	XAP-09V-1
10		22.5	27.3	455-2156-ND	.18	1.70	14.13	XAP-10V-1
11		25.0	29.8	455-2157-ND	.18	1.72	14.32	XAP-11V-1
12		27.5	32.3	455-2158-ND	.19	1.75	14.57	XAP-12V-1
13		30.0	34.8	455-2159-ND	.19	1.78	14.81	XAP-13V-1
14		32.5	37.3	455-2160-ND	.20	1.83	15.20	XAP-14V-1
15		35.0	39.8	455-2161-ND	.20	1.85	15.38	XAP-15V-1
Headers								
Top Entry - Through Hole (Shrouded) Without Boss								
2	2	2.5	7.5	455-1989-ND	.11	1.07	8.85	B02B-XASK-1(LF)(SN)
	3	5.0	10.0	455-1990-ND	.15	1.39	11.64	B03B-XASK-1(LF)(SN)
	4	7.5	12.5	455-1994-ND	.18	1.74	14.46	B04B-XASK-1(LF)(SN)
	5	10.0	15.0	455-1995-ND	.24	2.20	18.33	B05B-XASK-1(LF)(SN)
	6	12.5	17.5	455-1996-ND	.27	2.54	21.16	B06B-XASK-1(LF)(SN)
	8	17.5	22.5	455-1998-ND	.37	3.37	28.08	B08B-XASK-1(LF)(SN)
9	20.0	25.0	455-1999-ND	.41	3.75	31.22	B09B-XASK-1(LF)(SN)	
	12	27.5	32.5	455-2005-ND	.57	5.22	43.48	B12B-XASK-1(LF)(SN)
Side Entry - Through Hole With Peg (Shrouded)								
3	2	2.5	7.5	455-2044-ND	.33	3.04	25.30	S02B-XASS-1(LF)(SN)

(Continued)

Digi-Reel® Most SMT cutdown parts are available on a Digi-Reel®. For Digi-Reel part number, change 1-ND to 6-ND or CT-ND to DKR-ND. See Digi-Key® Services on page 2 for additional information.

Free shipping on orders over €65! All prices in euro and include duties. (EU2011-EN) 135