

JST PH Series

2.0mm Connectors



Features: • Contact has long dimples near the center to ensure a good connection at all times • Square post is copper-undercoated and tin/lead-plated for superior solderability and for whisker prevention • This connector is also available in a surface mount configuration. Its housing is made of heat resistant resin so that it is not adversely affected during reflow soldering.
Specifications: • Current Rating: 2A AC/DC • Voltage Rating: 100V AC/DC • Temperature Range: -25°C – 85°C • Applicable Wire: 32 – 24 AWG • Color: Natural (White)

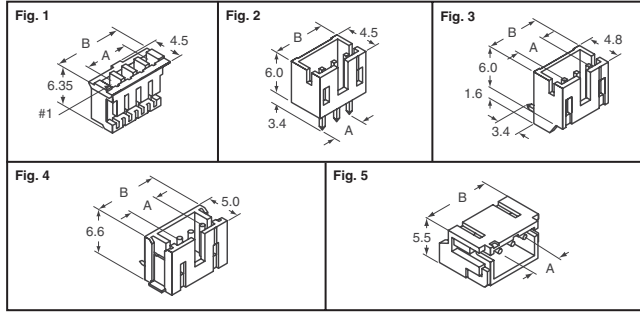


Fig.	Cir- cuits	Dimensions (mm)		Digi-Key Part No.	Cut Tape Pricing			T & R Pricing 1,000	JST Part No.
		A	B		1	10	100		
Receptacle Housing									
1	2	2.0	5.8	455-1165-ND	.04	.38	3.23	—	PHR-2
	3	4.0	7.8	455-1126-ND	.04	.39	3.30	—	PHR-3
	4	6.0	9.8	455-1164-ND	.06	.48	4.01	—	PHR-4
	5	8.0	11.8	455-1163-ND	.06	.50	4.17	—	PHR-5
	6	10.0	13.8	455-1162-ND	.06	.54	4.56	—	PHR-6
	7	12.0	15.8	455-1161-ND	.07	.70	5.81	—	PHR-7
1	8	14.0	17.8	455-1189-ND	.08	.73	6.05	—	PHR-8
	9	16.0	19.8	455-1159-ND	.08	.74	6.13	—	PHR-9
	10	18.0	21.8	455-1151-ND	.09	.79	6.61	—	PHR-10
	11	20.0	23.8	455-1157-ND	.15	1.42	11.80	—	PHR-11
	12	22.0	25.8	455-1156-ND	.17	1.54	12.81	—	PHR-12
	13	24.0	27.8	455-1155-ND	.18	1.63	13.61	—	PHR-13
	14	26.0	29.8	455-1154-ND	.20	1.82	15.18	—	PHR-14
	15	28.0	31.8	455-1153-ND	.21	1.89	15.73	—	PHR-15
	16	30.0	33.8	455-1152-ND	.27	2.52	20.99	—	PHR-16
	Headers								
Top Entry Thru-hole (Shrouded)									
2	2	2.0	5.9	455-1704-ND	.08	.76	6.36	—	B2B-PH-K-S(LF)(SN)
	3	4.0	7.9	455-1705-ND	.11	1.07	8.93	—	B3B-PH-K-S(LF)(SN)
	4	6.0	9.9	455-1706-ND	.14	1.34	11.13	—	B4B-PH-K-S(LF)(SN)
	5	8.0	11.9	455-1707-ND	.18	1.73	14.41	—	B5B-PH-K-S(LF)(SN)
	6	10.0	13.9	455-1708-ND	.22	1.98	16.48	—	B6B-PH-K-S(LF)(SN)
	7	12.0	15.9	455-1709-ND	.26	2.33	19.44	—	B7B-PH-K-S(LF)(SN)
	8	14.0	17.9	455-1710-ND	.28	2.55	21.25	—	B8B-PH-K-S(LF)(SN)
	9	16.0	19.9	455-1711-ND	.31	2.88	24.02	—	B9B-PH-K-S(LF)(SN)
	10	18.0	21.9	455-1712-ND	.34	3.15	26.23	—	B10B-PH-K-S(LF)(SN)
	11	20.0	23.9	455-1713-ND	.37	3.40	28.30	—	B11B-PH-K-S(LF)(SN)
	12	22.0	25.9	455-1714-ND	.40	3.66	30.50	—	B12B-PH-K-S(LF)(SN)
	13	24.0	27.9	455-1715-ND	.44	4.04	33.65	—	B13B-PH-K-S(LF)(SN)(P)
	14	26.0	29.9	455-1716-ND	.47	4.36	36.29	—	B14B-PH-K-S(LF)(SN)
	15	28.0	31.9	455-1717-ND	.50	4.64	38.68	—	B15B-PH-K-S(LF)(SN)
	16	30.0	33.9	455-1718-ND	.57	5.28	43.96	—	B16B-PH-K-S(LF)(SN)
	Side Entry Thru-hole (Shrouded)								
3	2	2.0	5.9	455-1719-ND	.08	.75	6.29	—	S2B-PH-K-S(LF)(SN)
	3	4.0	7.9	455-1720-ND	.10	.99	8.30	—	S3B-PH-K-S(LF)(SN)
	4	6.0	9.9	455-1721-ND	.14	1.23	10.19	—	S4B-PH-K-S(LF)(SN)
	5	8.0	11.9	455-1722-ND	.16	1.51	12.52	—	S5B-PH-K-S(LF)(SN)
	6	10.0	13.9	455-1723-ND	.19	1.79	14.97	—	S6B-PH-K-S(LF)(SN)
	7	12.0	15.9	455-1724-ND	.22	2.00	16.66	—	S7B-PH-K-S(LF)(SN)
	8	14.0	17.9	455-1725-ND	.26	2.34	19.50	—	S8B-PH-K-S(LF)(SN)
	9	16.0	19.9	455-1726-ND	.28	2.60	21.70	—	S9B-PH-K-S(LF)(SN)
	10	18.0	21.9	455-1727-ND	.31	2.90	24.15	—	S10B-PH-K-S(LF)(SN)
	11	20.0	23.9	455-1728-ND	.34	3.13	26.10	—	S11B-PH-K-S(LF)(SN)
	12	22.0	25.9	455-1729-ND	.39	3.60	29.93	—	S12B-PH-K-S(LF)(SN)
	13	24.0	27.9	455-1730-ND	.42	3.82	31.85	—	S13B-PH-K-S(LF)(SN)
	14	26.0	29.9	455-1731-ND	.43	4.00	33.39	—	S14B-PH-K-S(LF)(SN)
	15	28.0	31.9	455-1732-ND	.46	4.25	35.44	—	S15B-PH-K-S(LF)(SN)
	16	30.0	33.9	455-1733-ND	.57	5.27	43.90	—	S16B-PH-K-S(LF)(SN)
	Top Entry SMT (Shrouded)								
4	2	2.0	7.95	455-1734-1-ND	.38	3.48	29.00	192.53	B2B-PH-SM4-TB(LF)(SN)(P)
	3	4.0	9.95	455-1735-1-ND	.43	3.98	33.15	220.07	B3B-PH-SM4-TB(LF)(SN)(P)
	4	6.0	11.95	455-1736-1-ND	.54	5.02	41.82	277.69	B4B-PH-SM4-TB(LF)(SN)(P)
	5	8.0	13.95	455-1737-1-ND	.58	5.42	45.16	299.83	B5B-PH-SM4-TB(LF)(SN)
	6	10.0	15.95	455-1738-1-ND	.64	5.88	48.99	325.30	B6B-PH-SM4-TB(LF)(SN)
	7	12.0	17.95	455-1739-1-ND	.70	6.51	54.28	360.38	B7B-PH-SM4-TB(LF)(SN)
	8	14.0	19.95	455-1740-1-ND	.75	6.95	57.92	384.60	B8B-PH-SM4-TB(LF)(SN)
	9	16.0	21.95	455-1741-1-ND	.81	7.46	62.20	413.00	B9B-PH-SM4-TB(LF)(SN)
	10	18.0	23.95	455-1742-1-ND	.96	8.87	73.96	491.09	B10B-PH-SM4-TB(LF)(SN)
	11	20.0	25.95	455-1743-1-ND	1.03	9.44	78.67	522.39	B11B-PH-SM4-TB(LF)(SN)
	12	22.0	27.95	455-1744-1-ND	1.07	9.87	82.19	545.79	B12B-PH-SM4-TB(LF)(SN)
	13	24.0	29.95	455-1745-1-ND	1.11	10.18	84.84	563.33	B13B-PH-SM4-TB(LF)(SN)
	14	26.0	31.95	455-1746-1-ND	1.14	10.50	87.48	580.86	B14B-PH-SM4-TB(LF)(SN)
	15	28.0	33.95	455-1747-1-ND	1.17	10.81	90.12	598.40	B15B-PH-SM4-TB(LF)(SN)
	16	30.0	35.95	455-1748-1-ND	1.21	11.13	92.76	615.94	B16B-PH-SM4-TB(LF)(SN)
	Side Entry SMT (Shrouded)								
5	2	2.0	7.9	455-1749-1-ND	.40	3.66	30.50	202.52	S2B-PH-SM4-TB(LF)(SN)
	3	4.0	9.9	455-1750-1-ND	.46	4.30	35.85	238.03	S3B-PH-SM4-TB(LF)(SN)
	4	6.0	11.9	455-1751-1-ND	.54	4.96	41.39	274.77	S4B-PH-SM4-TB(LF)(SN)

Fig.	Cir- cuits	Dimensions (mm)		Digi-Key Part No.	Cut Tape Pricing			T & R Pricing 1,000	JST Part No.
		A	B		1	10	100		
5	5	8.0	13.9	455-1752-1-ND	.56	5.19	43.27	287.30	S5B-PH-SM4-TB(LF)(SN)(P)
	6	10.0	15.9	455-1753-1-ND	.67	6.21	51.70	343.26	S6B-PH-SM4-TB(LF)(SN)
	7	12.0	17.9	455-1754-1-ND	.68	6.28	52.32	347.42	S7B-PH-SM4-TB(LF)(SN)
	8	14.0	19.9	455-1755-1-ND	.73	6.73	56.10	372.49	S8B-PH-SM4-TB(LF)(SN)
	9	16.0	21.9	455-1756-1-ND	.83	7.71	64.27	426.77	S9B-PH-SM4-TB(LF)(SN)
	10	18.0	23.9	455-1757-1-ND	.96	8.90	74.15	492.34	S10B-PH-SM4-TB(LF)(SN)
	12	22.0	27.9	455-1758-1-ND	1.06	9.75	81.25	539.51	S12B-PH-SM4-TB(LF)(SN)
	13	24.0	29.9	455-1759-1-ND	1.11	10.19	84.90	563.73	S13B-PH-SM4-TB(LF)(SN)
	14	26.0	31.9	455-1760-1-ND	1.13	10.43	86.97	577.53	S14B-PH-SM4-TB(LF)(SN)
	15	28.0	33.9	455-1761-1-ND	1.16	10.68	89.05	591.29	S15B-PH-SM4-TB(LF)(SN)

⚠ For Tape and Reel part number, change 1-ND to 2-ND.

Description	Digi-Key Part No.	Cut Tape Pricing			Tape and Reel Qty.	Pricing	JST Part No.
		1	10	100			
Contacts-Tin Plated							
30 – 24 AWG	455-1127-1-ND	.02	.22	1.88	8,000	11.31/M	SPH-002T-P0.5S
32 – 28 AWG	455-1318-1-ND	.02	.22	1.81	10,000	9.63/M	SPH-004T-P0.5S
Crimp Tools							
30 – 24 AWG	455-1128-ND	373.62	—	—	—	—	WC-240
32 – 28 AWG	455-1236-ND	741.26	—	—	—	—	YRS-243

⚠ For Tape and Reel part number, change 1-ND to 2-ND.

PHD Series

2.0mm Connectors



Features: • This compact design meets the demand for high-density connection • The box contact supplies stable contact performance
Specifications: • Current Rating: 3A AC/DC • Voltage Rating: 250V AC/DC • Temperature Range: -25°C – 85°C • Applicable Wire: 28 – 22 AWG

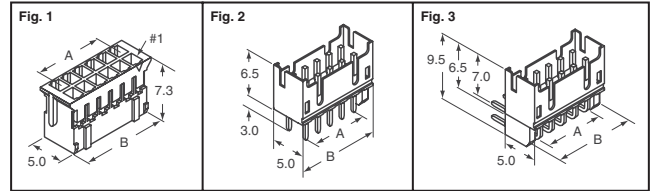


Fig.	Cir- cuits	Dimensions - mm		Digi-Key Part No.	Pricing			JST Part No.	
		A	B		1	10	100		
Housing — Color: Natural White									
1	8	6.0	9.9	455-2265-ND	.21	1.93	16.09	PHDR-08VS	
	10	8.0	11.9	455-1158-ND	.22	2.01	16.72	PHDR-10VS	
	12	10.0	13.9	455-1204-ND	.21	1.93	16.07	PHDR-12VS	
	14	12.0	15.9	455-1172-ND	.22	2.07	17.25	PHDR-14VS	
	16	14.0	17.9	455-1173-ND	.24	2.21	18.45	PHDR-16VS	
	18	16.0	19.9	455-1905-ND	.24	2.24	18.66	PHDR-18VS	
	20	18.0	21.9	455-1174-ND	.25	2.27	18.87	PHDR-20VS	
	22	20.0	23.9	455-1175-ND	.42	3.92	32.70	PHDR-22VS	
	24	22.0	25.9	455-1177-ND	.43	3.96	32.97	PHDR-24VS	
	26	24.0	27.9	455-1178-ND	.43	4.00	33.33	PHDR-26VS	
	28	26.0	29.9	455-1171-ND	.44	4.03	33.59	PHDR-28VS	
	30	28.0	31.9	455-1180-ND	.44	4.08	34.02	PHDR-30VS	
	32	30.0	33.9	455-1179-ND	.45	4.12	34.33	PHDR-32VS	
	34	32.0	35.9	455-1182-ND	.45	4.16	34.64	PHDR-34VS	
	Headers — Color: Natural Ivory								
	Top Entry (Shrouded)								
2	8	6.0	9.9	455-2230-ND	.28	2.62	21.82	B8B-PHDSS(LF)(SN)(P)	
	10	8.0	11.9	455-1762-ND	.30	2.83	23.57	B10B-PHDSS(LF)(SN)(P)	
	12	10.0	13.9	455-1763-ND	.36	3.31	27.53	B12B-PHDSS(LF)(SN)	
	14	12.0	15.9	455-1764-ND	.42	3.92	32.61	B14B-PHDSS(LF)(SN)(P)	
	16	14.0	17.9	455-1765-ND	.46	4.23	35.20	B16B-PHDSS(LF)(SN)	
	18	16.0	19.9	455-1766-ND	.48	4.44	37.01	B18B-PHDSS(LF)(SN)	
	20	18.0	21.9	455-1767-ND	.52	4.82	40.21	B20B-PHDSS(LF)(SN)	
	22	20.0	23.9	455-1768-ND	.66	6.15	51.24	B22B-PHDSS(LF)(SN)	
	24	22.0	25.9	455-1769-ND	.72	6.67	55.59	B24B-PHDSS(LF)(SN)	
	26	24.0	27.9	455-1770-ND	.75	6.95	57.92	B26B-PHDSS(LF)(SN)	
	30								