



.050" (1.27mm) Sockets and Headers
SFML,TFML and TFM Series (Cont.)

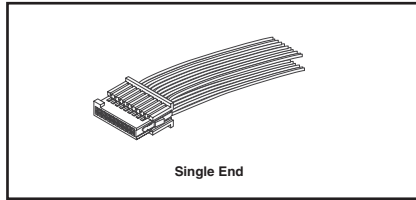
A

Fig.	No. of Pos.	Dim. A (mm)	Digi-Key Part No.	Price Each		
				1	10	100
Through Hole TFM with Weld Tabs						
2	10	9.53	SAM8698-ND	2.46	1.67	1.31
	20	15.88	SAM8699-ND	3.91	2.73	2.24
	30	22.23	SAM8700-ND	4.44	3.25	2.66
	40	28.58	SAM8701-ND	5.53	4.10	3.39
	50	34.93	SAM8702-ND	6.53	4.90	4.08
Surface Mount — TFML						
2	20	15.88	SAM8261-ND	3.88	2.71	2.23
	30	22.23	SAM8264-ND	4.58	3.35	2.73
	40	28.58	SAM8267-ND	5.85	4.33	3.58
	50	34.93	SAM8270-ND	7.02	5.27	4.39
	60	41.28	SAM8273-ND	8.08	6.15	5.27
	90	53.98	SAM8276-ND	9.57	7.37	6.17
Surface Mount TFM with Weld Tabs						
2	10	9.53	SAM8704-ND	2.58	1.72	1.41
	20	15.88	SAM8705-ND	4.16	2.95	2.42
	30	22.23	SAM8706-ND	4.86	3.55	2.90
	40	28.58	SAM8707-ND	6.06	4.48	3.71
	50	34.93	SAM8708-ND	7.14	5.36	4.47
	60	41.28	SAM8709-ND	8.11	6.18	5.30

† Contact Material: Beryllium Copper

.050" (1.27mm) Socket Cable Assembly
SFSD Series

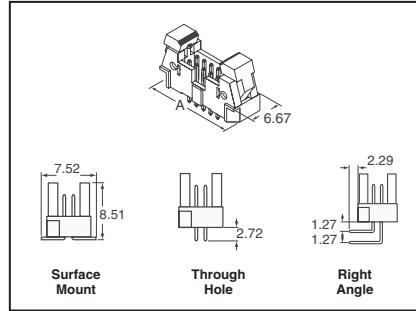
Specifications: • Insulator Material: Black LCP • Contact Material: BeCu • Plating: Gold over 50µ" (1.27µm) Nickel • Operating Temperature Range: -55°C - 80°C • Mates with: TFM Series



No. of Pos.	Cable Length	Digi-Key Part No.	Price Each		
			1	10	100
Single End					
10	5"	SAM8662-ND	7.39	5.55	4.63
20	5"	SAM8663-ND	10.33	7.95	6.66
30	5"	SAM8664-ND	13.54	10.47	8.93
40	5"	SAM8665-ND	16.36	12.86	11.11
50	5"	SAM8666-ND	19.00	15.49	13.31
60	5"	SAM8667-ND	22.30	18.18	15.62
10	10"	SAM8668-ND	8.24	6.02	5.16
20	10"	SAM8669-ND	11.65	9.17	7.68
30	10"	SAM8670-ND	15.11	12.24	10.26
40	10"	SAM8671-ND	18.37	14.98	12.87
50	10"	SAM8672-ND	22.49	18.33	15.75
60	10"	SAM8673-ND	25.84	21.21	18.56
Double End, Notch up, Straight					
30	5"	SAM8682-ND	20.54	16.74	14.38
40	5"	SAM8690-ND	25.28	20.74	18.15
20	10"	SAM8678-ND	16.85	—	—
30	10"	SAM8686-ND	22.64	—	—
40	10"	SAM8694-ND	28.00	22.98	20.11
Double End, Notch down, Straight					
30	5"	SAM8683-ND	20.54	16.74	14.38
40	5"	SAM8691-ND	25.28	20.74	18.15
30	10"	SAM8687-ND	22.64	18.45	15.85
40	10"	SAM8695-ND	28.00	22.98	20.11
Double End, Notch up, Crossed					
20	5"	SAM8676-ND	16.22	12.75	11.01
30	5"	SAM8684-ND	20.54	16.74	14.38
40	5"	SAM8692-ND	25.28	20.74	18.15
20	10"	SAM8680-ND	16.85	13.74	11.80
30	10"	SAM8688-ND	22.64	18.45	15.85
40	10"	SAM8696-ND	28.00	22.98	20.11
Double End, Notch down, Crossed					
20	5"	SAM8677-ND	16.22	12.75	11.01
30	5"	SAM8685-ND	20.54	16.74	14.38
40	5"	SAM8693-ND	25.28	20.74	18.15
20	10"	SAM8681-ND	16.85	13.74	11.80
30	10"	SAM8689-ND	22.64	18.45	15.85
40	10"	SAM8697-ND	28.00	22.98	20.11

.050" (1.27mm) Ejector Headers
EHF Series

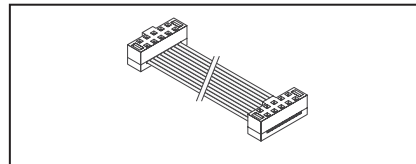
Specifications:
• Insulator Material: Black Liquid Crystal Polymer
• Terminal Material: Phosphor Bronze
• Plating: Tin or Gold over 50µ" (1.27µm) Nickel
• Current Rating: 1.75A @ 80°C Ambient
• Operating Temperature Range: -55°C - 125°C
• Mates with: FFSD series



No. of Positions	Dimension A (mm)	Digi-Key Part No.	Price Each		
			1	10	100
Through Hole					
10	20.83	SAM8205-ND	2.78	1.85	1.51
20	27.18	SAM8208-ND	3.16	2.19	1.78
40	39.88	SAM8211-ND	4.35	3.15	2.58
50	46.23	SAM8214-ND	5.24	3.83	3.13
Right Angle					
10	20.83	SAM8206-ND	3.49	2.42	1.97
20	27.18	SAM8209-ND	3.96	2.76	2.27
40	39.88	SAM8212-ND	5.23	3.87	3.20
50	46.23	SAM8215-ND	6.55	4.72	3.93
Surface Mount					
10	20.83	SAM8207-ND	3.24	2.23	1.82
20	27.18	SAM8210-ND	3.65	2.55	2.09
40	39.88	SAM8213-ND	5.02	3.68	3.00
50	46.23	SAM8216-ND	6.03	4.47	3.70

.050" (1.27mm) IDC Cable Assemblies
FFSD Series

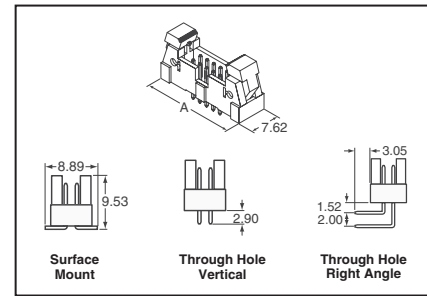
Specifications:
• Insulator Material: PBT • Contact: Beryllium Copper • Plating: 10µ" (0.25µm) Gold over 50µ" (1.27µm) Nickel on contact area; Tin over 50µ" (1.27µm) Nickel on balance • Wire: 30 AWG • Current Rating: 1A • Operating Temperature Range: -40°C - 105°C • Lead Size Accepted: 0.41mm (0.16") Square • Contact Resistance: 10mΩ maximum • Insertion Depth: 2.64mm (0.104") - 3.17mm (0.125") • Insertion Force (Single contact only): 5oz (1.39N) Average • Withdrawal Force (Single contact only): 3oz (0.83N) Average • Mates with: FTS, FTSH, EHF Series



No. of Positions	Length (Inch)	Digi-Key Part No.	Price Each		
			1	10	100
Double End — Female/Female					
10	2	SAM8217-ND	8.07	5.89	5.05
	6	SAM8218-ND	8.38	6.38	5.47
	12	SAM8219-ND	9.37	7.13	6.11
20	2	SAM8223-ND	9.41	7.16	6.14
	6	SAM8224-ND	9.83	7.56	6.34
	12	SAM8225-ND	10.80	8.31	6.96
40	2	SAM8229-ND	14.03	10.85	9.09
	6	SAM8230-ND	14.40	11.66	9.78
	12	SAM8231-ND	15.93	12.52	10.81
50	2	SAM8235-ND	15.84	12.45	10.75
	6	SAM8236-ND	16.86	13.25	11.45
	12	SAM8237-ND	17.51	14.28	12.26

.0787" (2mm) Ejector Headers
EHT Series

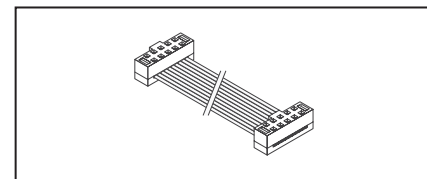
Specifications:
• Insulator Material: Black Liquid Crystal Polymer
• Terminal Material: Phosphor Bronze
• Plating: Tin or Gold over 50µ" (1.27µm) Nickel
• Current Rating: 3A @ 80°C ambient
• Operating Temperature Range: -55°C - 125°C
• Mates with: TCSD



No. of Positions	Dimension A (mm)	Digi-Key Part No.	Price Each		
			1	10	100
Through Hole — Vertical					
10	23.79	SAM8554-ND	4.68	3.43	2.80
20	33.79	SAM8557-ND	5.20	3.86	3.19
40	53.79	SAM8560-ND	8.70	6.63	5.68
50	63.79	SAM8563-ND	10.63	8.18	6.86
Through Hole — Right Angle					
10	23.79	SAM8555-ND	5.13	3.76	3.07
20	33.79	SAM8558-ND	5.72	4.24	3.51
40	53.79	SAM8561-ND	9.35	7.19	6.03
50	63.79	SAM8564-ND	11.43	8.99	7.54
Surface Mount					
10	23.79	SAM8556-ND	6.24	4.50	3.75
20	33.79	SAM8559-ND	6.88	5.16	4.30
40	53.79	SAM8562-ND	11.16	8.78	7.36
50	63.79	SAM8565-ND	13.87	10.72	8.99

.0787" (2mm) IDC Cable Assemblies
TCSD Series

Specifications:
• Insulator Material: Black Glass Filled Polyester
• Contact Material: Beryllium Copper
• Plating: Gold or Tin over 50µ" (1.27µm) Nickel
• Wire: 28AWG 7/36 Stranded, Tinned, Copper with Gray PVC Insulator
• Current Rating: 1A
• Operating Temperature Range: -40°C - 105°C
• Lead Size Accepted: 0.19" (0.48mm) - .021" (0.53mm)
• Contact Resistance: 10mΩ max.
• Insertion Depth: .113" (2.87mm) - .125" (3.17mm)
• Insertion Force: 2oz (0.56N) average (single contact only)
• Withdrawal Force: 1.4oz (0.39N) average (single contact only)
• Mates with: TMM, EHT



No. of Positions	Length (Inch)	Digi-Key Part No.	Price Each		
			1	10	100
Double End — Female/Female					
40	2	SAM8542-ND	12.45	9.79	8.21
	6	SAM8543-ND	13.52	10.45	8.92
	12	SAM8544-ND	14.42	11.67	9.79
50	2	SAM8548-ND	14.05	11.38	9.54
	6	SAM8549-ND	15.06	12.19	10.22
	12	SAM8550-ND	16.59	13.04	11.26

Digi-Reel® Most SMT cutdown parts are available on a Digi-Reel®. For Digi-Reel part number, change 1-ND to 6-ND or CT-ND to DKR-ND. See Digi-Key® Services on page 2 for additional information.

116 (EU2011-EN) Free shipping on orders over €65! All prices in euro and include duties.