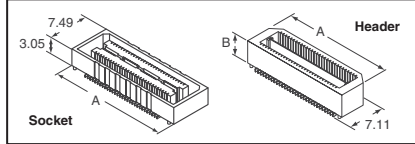




.0197" (0.50mm) High Speed Sockets and Headers QSH and QTH Series

Specifications: (QSH Series) • Insulator Material: Liquid Crystal Polymer • Contact Material: Phosphor Bronze • Plating: Gold over 50µ" (1.27µm) Nickel • Current Rating: 1.0A @ 30°C Temperature Rise (contact); 7.8A @ 30°C Temperature Rise (ground plane) • Operating Temperature: -55°C - 125°C • Voltage Rating: 125VAC mated with QTH and 5mm Stack Height • Mates with: QTH

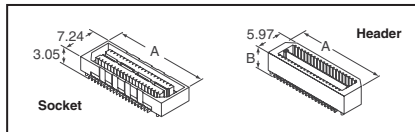
Specifications: (QTH Series) • Insulator Material: Liquid Crystal Polymer • Terminal Material: Phosphor Bronze • Plating: Gold over 50µ" (1.27µm) Nickel • Current Rating: 1.0A @ 30°C Temperature Rise (contact); 7.8A @ 30°C Temperature Rise (ground plane) • Operating Temperature: -55°C - 125°C • Voltage Rating: 125VAC mated with QSH and 5mm Stack Height • Mates with: QSH



| No. of Pos. | Dimensions (mm) | | Digi-Key Part No. | Price Each | | |
|----------------|-----------------|-------|-------------------|------------|-------|-------|
| | A | B | | 1 | 10 | 100 |
| Sockets | | | | | | |
| 60 | 41.27 | — | SAM8180-ND | 7.75 | 5.82 | 4.85 |
| 120 | 81.27 | — | SAM8181-ND | 8.49 | 6.47 | 5.54 |
| 180 | 121.27 | — | SAM8182-ND | 11.18 | 8.79 | 7.37 |
| 240 | 161.27 | — | SAM8183-ND | 13.54 | 10.47 | 8.93 |
| 300 | 201.27 | — | SAM8184-ND | 16.15 | 12.70 | 10.96 |
| Headers | | | | | | |
| 60 | 40.00 | 4.27 | SAM8185-ND | 7.91 | 5.94 | 4.95 |
| 60 | 40.00 | 7.26 | SAM8186-ND | 8.15 | 5.95 | 5.10 |
| 60 | 40.00 | 10.27 | SAM8187-ND | 11.96 | 9.41 | 7.89 |
| 60 | 40.00 | 15.24 | SAM8188-ND | 12.36 | 9.72 | 8.15 |
| 120 | 80.00 | 4.27 | SAM8189-ND | 8.67 | 6.60 | 5.66 |
| 120 | 80.00 | 7.26 | SAM8190-ND | 8.91 | 6.79 | 5.82 |
| 120 | 80.00 | 10.27 | SAM8191-ND | 13.66 | 10.57 | 8.86 |
| 120 | 80.00 | 15.25 | SAM8192-ND | 14.12 | 10.92 | 9.15 |
| 180 | 120.00 | 4.27 | SAM8193-ND | 11.38 | 8.95 | 7.50 |
| 180 | 120.00 | 7.26 | SAM8194-ND | 11.72 | 9.22 | 7.73 |
| 180 | 120.00 | 10.27 | SAM8195-ND | 17.08 | 13.93 | 11.96 |
| 180 | 120.00 | 15.26 | SAM8196-ND | 17.65 | 14.39 | 12.36 |
| 240 | 160.00 | 4.27 | SAM8197-ND | 13.80 | 10.66 | 8.94 |
| 240 | 160.00 | 7.26 | SAM8198-ND | 14.21 | 10.99 | 9.21 |
| 240 | 160.00 | 10.27 | SAM8199-ND | 20.70 | 16.88 | 14.50 |
| 240 | 160.00 | 15.26 | SAM8200-ND | 21.40 | 17.44 | 14.98 |
| 300 | 200.00 | 4.27 | SAM8201-ND | 16.46 | 12.94 | 11.18 |
| 300 | 200.00 | 7.26 | SAM8202-ND | 16.95 | 13.32 | 11.51 |
| 300 | 200.00 | 10.27 | SAM8203-ND | 25.25 | 20.72 | 18.13 |
| 300 | 200.00 | 15.26 | SAM8204-ND | 26.06 | 21.39 | 18.72 |

.0315" (0.80mm) High Speed Sockets and Headers QSE and QTE Series

Specifications: • Insulator Material: Liquid Crystal Polymer • Terminal Material: Phosphor Bronze • Plating: Gold over 50µ" (1.27µm) Nickel • Current Rating: Contacts: 2A @ 80°C, Ground Plane: 9.5A @ 80°C • Operating Temperature Range: -55°C - 125°C • Voltage Rating: 225VAC when mated and 5mm Stack Height • QTE Series Mates with QSE • QSE Series Mates with QTE

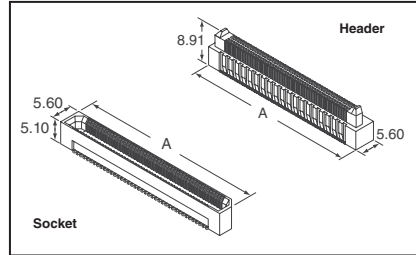


| No. of Pos. | Dimensions (mm) | | Digi-Key Part No. | Price Each | | |
|----------------|-----------------|-------|-------------------|------------|------|------|
| | A | B | | 1 | 10 | 100 |
| Sockets | | | | | | |
| 40 | 21.27 | — | SAM8123-ND | 5.39 | 3.99 | 3.30 |
| 80 | 41.27 | — | SAM8124-ND | 7.39 | 5.55 | 4.63 |
| 120 | 61.27 | — | SAM8125-ND | 8.49 | 6.47 | 5.54 |
| 160 | 81.27 | — | SAM8126-ND | 10.15 | 7.81 | 6.55 |
| 200 | 101.27 | — | SAM8127-ND | 11.28 | 8.88 | 7.44 |
| Headers | | | | | | |
| 40 | 20.00 | 4.27 | SAM8128-ND | 5.49 | 4.07 | 3.37 |
| 40 | 20.00 | 7.26 | SAM8129-ND | 5.66 | 4.19 | 3.47 |
| 40 | 20.00 | 10.27 | SAM8130-ND | 6.58 | 4.94 | 4.12 |
| 40 | 20.00 | 15.24 | SAM8131-ND | 8.61 | 6.55 | 5.62 |

| No. of Pos. | Dimensions (mm) | | Digi-Key Part No. | Price Each | | |
|-------------|-----------------|-------|-------------------|------------|-------|-------|
| | A | B | | 1 | 10 | 100 |
| 80 | 40.00 | 4.27 | SAM8132-ND | 7.53 | 5.66 | 4.71 |
| 80 | 40.00 | 7.26 | SAM8133-ND | 7.75 | 5.82 | 4.85 |
| 80 | 40.00 | 10.27 | SAM8134-ND | 9.00 | 6.86 | 5.88 |
| 80 | 40.00 | 15.24 | SAM8135-ND | 11.78 | 9.27 | 7.77 |
| 120 | 60.00 | 4.27 | SAM8136-ND | 8.67 | 6.60 | 5.66 |
| 120 | 60.00 | 7.26 | SAM8137-ND | 8.91 | 6.79 | 5.82 |
| 120 | 60.00 | 10.27 | SAM8138-ND | 10.57 | 8.14 | 6.82 |
| 120 | 60.00 | 15.24 | SAM8139-ND | 14.12 | 10.92 | 9.15 |
| 160 | 80.00 | 4.27 | SAM8140-ND | 10.35 | 7.96 | 6.68 |
| 160 | 80.00 | 7.26 | SAM8141-ND | 10.67 | 8.21 | 6.88 |
| 160 | 80.00 | 10.27 | SAM8142-ND | 12.63 | 9.94 | 8.33 |
| 160 | 80.00 | 15.24 | SAM8143-ND | 16.48 | 12.95 | 11.19 |
| 200 | 100.00 | 4.27 | SAM8144-ND | 11.51 | 9.05 | 7.59 |
| 200 | 100.00 | 7.26 | SAM8145-ND | 11.85 | 9.32 | 7.81 |
| 200 | 100.00 | 10.27 | SAM8146-ND | 14.36 | 11.10 | 9.30 |
| 200 | 100.00 | 15.24 | SAM8147-ND | 17.83 | 14.53 | 12.48 |

.0315" (0.80mm) Edge Rate™ Sockets and Headers ERF8 and ERM8 Series

Specifications: • Insulator Material: Black LCP • Plating: Gold or Tin over 50µ" (1.27µm) Nickel • Operating Temperature Range: -55°C - 125°C • Socket Terminal Material: BeCu • Header Terminal Material: Phosphor Bronze



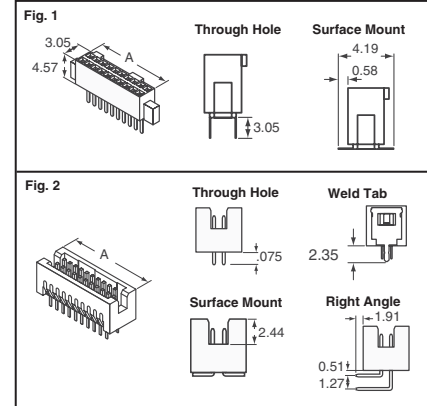
| No. of Pos. | Dim. A (mm) | Digi-Key Part No. | Cut Tape Price Each | | |
|----------------|-------------|-------------------|---------------------|------|------|
| | | | 1 | 10 | 50 |
| Sockets | | | | | |
| 20 | 14 | SAM8618CT-ND | 4.18 | 2.97 | 2.51 |
| 20 | 14 | SAM8618TR-ND§ | 294.50/125 | | |
| 40 | 22 | SAM8619CT-ND | 4.44 | 3.25 | 2.79 |
| 40 | 22 | SAM8619TR-ND§ | 327.04/125 | | |
| 60 | 30 | SAM8620CT-ND | 5.48 | 4.05 | 3.57 |
| 60 | 30 | SAM8620TR-ND§ | 410.47/125 | | |
| 80 | 38 | SAM8621CT-ND | 6.06 | 4.48 | 3.95 |
| 80 | 38 | SAM8621TR-ND§ | 453.84/125 | | |
| 100 | 46 | SAM8622CT-ND | 6.55 | 4.72 | 4.19 |
| 100 | 46 | SAM8622TR-ND§ | 491.02/125 | | |
| 120 | 54 | SAM8623CT-ND | 6.94 | 5.21 | 4.63 |
| 120 | 54 | SAM8623TR-ND§ | 542.13/125 | | |
| 140 | 62 | SAM8624CT-ND | 7.42 | 5.57 | 4.95 |
| 140 | 62 | SAM8624TR-ND§ | 579.30/125 | | |
| 150 | 66 | SAM8625CT-ND | 7.58 | 5.68 | 5.05 |
| 150 | 66 | SAM8625TR-ND§ | 591.69/125 | | |
| Headers | | | | | |
| 20 | 14 | SAM8610CT-ND | 4.18 | 2.97 | 2.51 |
| 20 | 14 | SAM8610TR-ND§ | 294.50/125 | | |
| 40 | 22 | SAM8611CT-ND | 4.44 | 3.25 | 2.79 |
| 40 | 22 | SAM8611TR-ND§ | 327.04/125 | | |
| 60 | 30 | SAM8612CT-ND | 5.48 | 4.05 | 3.57 |
| 60 | 30 | SAM8612TR-ND§ | 410.47/125 | | |
| 80 | 38 | SAM8613CT-ND | 6.06 | 4.48 | 3.95 |
| 80 | 38 | SAM8613TR-ND§ | 453.84/125 | | |
| 100 | 46 | SAM8614CT-ND | 6.55 | 4.72 | 4.19 |
| 100 | 46 | SAM8614TR-ND§ | 491.02/125 | | |
| 120 | 54 | SAM8615CT-ND | 6.94 | 5.21 | 4.63 |
| 120 | 54 | SAM8615TR-ND§ | 542.13/125 | | |
| 140 | 62 | SAM8616CT-ND | 7.42 | 5.57 | 4.95 |
| 140 | 62 | SAM8616TR-ND§ | 579.30/125 | | |
| 150 | 66 | SAM8617CT-ND | 7.58 | 5.68 | 5.05 |
| 150 | 66 | SAM8617TR-ND§ | 591.69/125 | | |

§ Tape and Reel

.050" (1.27mm) Sockets and Headers SFML, TFML and TFM Series



Specifications: • Insulator Material: Black Liquid Crystal Polymer • Contact Material: Phosphor Bronze • Plating: Gold over 50µ" (1.27µm) Nickel • Current Rating: 2A @ 80°C ambient • Voltage Rating: 350VAC • Operating Temperature Range: -55°C - 125°C • Socket Contact Resistance: 15mΩ max • Socket Insertion Depth: .120" (3.05mm) to .160" (4.06mm) • Socket Insertion Force: 2.5oz (0.69N) average (single contact only) • Header Locking Features: 10 - 20 (one latch), 25 and 30 (two latches), 35 - 50 (three latches) • Socket Max Cycles: 100 with 10µ" (0.25mm) Gold • SFML Series Mates with TFML Series • TFML Series Mates with SFML Series



| Fig. | No. of Pos. | Dim. A (mm) | Digi-Key Part No. | Price Each | | | |
|----------------------------|--|-------------|-------------------|-------------|------|------|------|
| | | | | 1 | 10 | 100 | |
| Sockets | | | | | | | |
| Through Hole — SFML | | | | | | | |
| 1 | 20 | 16.64 | SAM8241-ND | 3.61 | 2.52 | 2.07 | |
| | 30 | 22.99 | SAM8243-ND | 4.42 | 3.19 | 2.62 | |
| | 40 | 29.34 | SAM8245-ND | 5.44 | 4.02 | 3.33 | |
| | 50 | 35.69 | SAM8247-ND | 6.53 | 4.90 | 4.08 | |
| | 70 | 48.39 | SAM8251-ND | 8.31 | 6.06 | 5.20 | |
| | 100 | 61.09 | SAM8255-ND | 10.00 | 7.69 | 6.45 | |
| 1 | 20 | 16.64 | SAM8257-ND | 11.12 | 8.55 | 7.17 | |
| | 30 | 22.99 | SAM8710-ND† | 4.35 | 3.15 | 2.58 | |
| | 40 | 29.34 | SAM8711-ND† | 5.30 | 3.88 | 3.17 | |
| | 40 | 29.34 | SAM8712-ND† | 6.53 | 4.90 | 4.08 | |
| | 50 | 35.69 | SAM8713-ND† | 8.15 | 5.95 | 5.10 | |
| | 60 | 42.04 | SAM8714-ND† | 9.37 | 7.13 | 6.11 | |
| 1 | 70 | 48.39 | SAM8715-ND† | 9.72 | 7.48 | 6.27 | |
| | 80 | 54.74 | SAM8716-ND† | 11.12 | 8.55 | 7.17 | |
| | Surface Mount — SFML | | | | | | |
| | 1 | 20 | 16.64 | SAM8242-ND | 3.77 | 2.63 | 2.16 |
| | | 30 | 22.99 | SAM8244-ND | 4.43 | 3.24 | 2.64 |
| | | 40 | 29.34 | SAM8246-ND | 5.68 | 4.21 | 3.48 |
| 50 | | 35.69 | SAM8248-ND | 6.80 | 5.10 | 4.26 | |
| 60 | | 42.04 | SAM8250-ND | 8.17 | 5.96 | 5.11 | |
| 1 | | 70 | 48.39 | SAM8252-ND | 8.30 | 6.32 | 5.42 |
| | 80 | 54.74 | SAM8254-ND | 9.48 | 7.22 | 6.19 | |
| | 90 | 61.09 | SAM8256-ND | 10.45 | 8.04 | 6.74 | |
| | 100 | 67.44 | SAM8258-ND | 11.34 | 8.92 | 7.48 | |
| | 1 | 20 | 16.64 | SAM8719-ND† | 4.36 | 3.19 | 2.60 |
| | | 30 | 22.99 | SAM8720-ND† | 5.33 | 3.95 | 3.27 |
| 40 | | 29.34 | SAM8721-ND† | 6.80 | 5.10 | 4.26 | |
| 50 | | 35.69 | SAM8722-ND† | 8.15 | 6.21 | 5.32 | |
| 60 | | 42.04 | SAM8723-ND† | 9.57 | 7.37 | 6.17 | |
| 80 | | 54.74 | SAM8725-ND† | 11.34 | 8.92 | 7.48 | |
| Headers | | | | | | | |
| Through Hole — TFML | | | | | | | |
| 2 | 20 | 15.88 | SAM8269-ND | 3.52 | 2.45 | 2.01 | |
| | 30 | 22.23 | SAM8262-ND | 4.30 | 3.11 | 2.56 | |
| | 50 | 34.93 | SAM8268-ND | 6.65 | 4.79 | 4.00 | |
| | 60 | 41.28 | SAM8271-ND | 7.65 | 5.74 | 4.79 | |
| | 80 | 53.98 | SAM8274-ND | 8.89 | 6.77 | 5.80 | |
| | 90 | 60.33 | SAM8277-ND | 9.80 | 7.54 | 6.32 | |
| 100 | 66.68 | SAM8280-ND | 10.87 | 8.37 | 7.01 | | |
| | Through Hole — Right Angle TFML | | | | | | |
| 2 | 20 | 15.88 | SAM8260-ND | 3.88 | 2.71 | 2.23 | |
| | 30 | 22.23 | SAM8263-ND | 4.58 | 3.35 | 2.73 | |
| | 40 | 28.58 | SAM8266-ND | 5.85 | 4.33 | 3.58 | |
| | 50 | 34.93 | SAM8269-ND | 7.02 | 5.27 | 4.39 | |
| | 90 | 60.33 | SAM8278-ND | 10.76 | 8.28 | 6.94 | |
| | 100 | 66.68 | SAM8281-ND | 11.69 | 9.19 | 7.71 | |

† Contact Material: Beryllium Copper

(Continued)

Digi-Reel® Most SMT cutdown parts are available on a Digi-Reel®. For Digi-Reel part number, change 1-ND to 6-ND or CT-ND to DKR-ND. See Digi-Key® Services on page 2 for additional information.

Free shipping on orders over €65! All prices in euro and include duties. (EU2011-EN) 115