

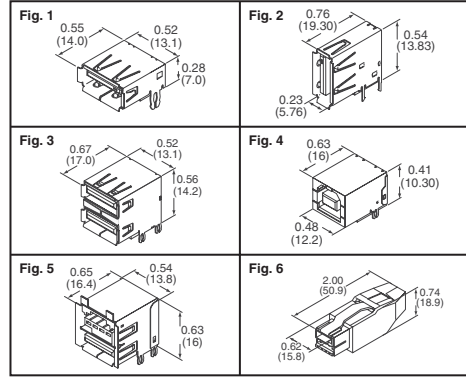
FCI USB Interconnect System



Dimensions in Inches (mm)

The USB interconnect system is designed to combine all personal computing interface ports into one connector. This system is plug-and-play, hot pluggable and can handle data rates up to 12Mbps. **Specifications:** • Meets USB Standard • Durability: 1,500 Cycles • Withstanding Voltage: 30RMS • Current Rating: 1A Contact • Low Level Contact Resistance: 30mΩ maximum

Fig.	Description	Digi-Key Part No.	Price Each			FCI Part No.
			1	25	100	
1	Type 'A' Single, Right Angle	609-1045-ND	.90	.46	.39	87520-0010BLF
2	Type 'A' Single, Up-Right	609-1041-ND	1.01	.53	.45	73725-0110BLF
3	Type 'A' Dual, Right Angle	609-1040-ND	1.57	.88	.77	72309-8034BLF
4	Type 'B' Single, Right Angle	609-1039-ND	1.07	.56	.49	61729-0010BLF
	Type 'B' Single, Right Angle	609-3655-ND	1.42	.77	.68	61729-0011BLF
	Type 'B' Single, Right Angle	609-3656-ND	1.20	.65	.56	61729-1010BLF
	Type 'B' Single, Right Angle	609-3657-ND	.96	.51	.43	61729-1011BLF
5	USB + Power Receptacle, Right Angle	609-1038-ND	5.37	3.42	3.13	55917-501LF
6	USB + Power Plug, Cable OD= 5.80 mm	609-1042-ND	10.15	7.20	6.63	74233-100LF
	USB + Power Plug, Cable OD= 6.60 mm	609-1044-ND	10.15	7.20	6.63	74233-102LF

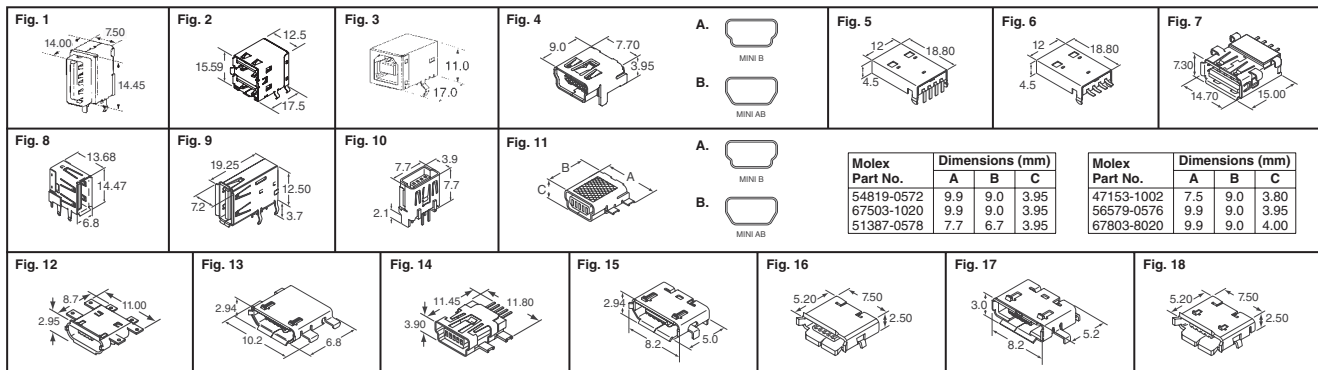


A

molex USB Connectors



Dimensions in mm



USB Standard Features: • Broad industry support from computer and telecom leaders • 12 Mbit/sec low-cost data transfer rates. • Provides PC/telephone integration and digital connectivity • Standard serial port connector for all devices • Supports daisy chaining and up to 127 devices • Windows '95 Operating Driver support
Applications: • Desktop and Notebook PCs • Peripherals • Keyboard, Mouse • Telephony, ISDN, PBX's, Handsets

USB Connectors: Electrical: • Contact Resistance: 30mΩ maximum • Insulation Resistance: 1,000MΩ minimum
USB On-the-Go (OTG) Connectors: • Approximately 1/8th the size of standard USB-B connectors • Fully compliant with current USB 2.0 specifications • Compact and lightweight design meets various portable and mobile equipment needs • Operates at speeds up to 480Mbps • Rugged durability up to 5,000 cycles

Micro-USB Connectors: The interconnect solutions for the Molex Micro-USB system include OTG compatible, Micro-B and Micro AB receptacles.
Features and Benefits: • Stainless steel shell • Multi-snap shield design • Pick and place area
Applications: • Mobile Phone • MP3 Players • Portable Digital Video Players • Digital Still Cameras • Digital Video Cameras

Fig.	Description	Operating Temperature Range	Digi-Key Part No.	Price Each			Digi-Key Part No.	Tape and Reel		Molex Part No.
				1	10	100		Qty.	Pricing	
1	Type "A" Upright, Right Angle Receptacle, Gold Flash	0°C - 40°C	WM17112-ND	1.45	1.22	.90	—	—	—	89485-8000
	Type "A" Upright, Right Angle Receptacle, 30 micro-inch, Gold	0°C - 40°C	WM17138-ND	2.06	1.65	1.10	—	—	—	89485-8001
2	Type "A" Dual Stacked, Right Angle Receptacle, White	0°C - 50°C	WM17130-ND	1.97	1.74	1.16	—	—	—	67298-4090
	Type "A" Dual Stacked, Right Angle Receptacle, Black, 30 micro-inch, Gold	0°C - 50°C	WM17150-ND	2.24	1.98	1.32	—	—	—	67298-3091
3	Type "B" Single, Right Angle Receptacle, Black, Gold Flash	0°C - 50°C	WM17113-ND	1.48	1.15	.88	—	—	—	67068-8000
	Type "B" Single, Right Angle Receptacle, Black, 30 micro-inch, Gold	0°C - 50°C	WM17123-ND	2.22	1.96	1.31	—	—	—	67068-8001
4A	Type "Mini-B" OTG, Right Angle Receptacle, PCB Mount	0°C - 50°C	WM17115-ND	1.42	1.19	.88	—	—	—	54819-0519
	Type "Mini-AB" OTG, Right Angle Receptacle, 5-Position, PCB Mount	0°C - 50°C	WM17121-ND	2.17	1.81	1.34	—	—	—	56579-0519
5	Type "A" Single, Right Angle Plug, PCB Mount	-20°C - 85°C	WM17117-ND	1.83	1.62	1.08	—	—	—	48037-0001
6	Type "A" Single, Right Angle Plug, SMD	-20°C - 85°C	WM17118-ND	1.29	1.01	.77	—	—	—	48037-1000
7	Type "A" Single, Right Angle Receptacle, SMD, Reverse Type	-20°C - 85°C	WM17531CT-ND†	1.74	1.40	1.17	WM17531TR-ND	300	209.42	47504-0001
	Type "A" Single, Upright Right Angle Receptacle, PCB Mount	-55°C - 85°C	WM17136-ND	1.83	1.61	1.08	—	—	—	67329-8000
8	Type "A" Single, Upright Right Angle Receptacle, 30 micro-inch, Gold, PCB Mount	-55°C - 85°C	WM17151-ND	1.93	1.71	1.14	—	—	—	67329-8001
	Type "A" Single, Upright Right Angle Receptacle, PCB Mount, Reverse Type	-55°C - 85°C	WM17532-ND	1.78	1.58	1.05	—	—	—	48204-0001
10	Type "Mini-B" USB OTG, Vertical Receptacle, 5-Position, PCB Mount	0°C - 50°C	WM17120-ND	4.07	3.38	2.54	—	—	—	500075-0517
	Type "Mini-B" USB OTG, Vertical Receptacle, 5-Position, PCB Mount	0°C - 50°C	WM2072-ND	5.97	5.28	3.52	—	—	—	500075-1517
11A	Type "Mini-B" USB OTG, Right Angle Receptacle, 5-Position, SMD	0°C - 50°C	WM17116CT-ND†	1.22	1.04	.80	WM17116TR-ND	800	512.18	54819-0572
	Type "Mini-B" USB OTG, Right Angle Receptacle, 5-Position, SMD, SMD Shield	0°C - 50°C	WM5461CT-ND†	1.21	.97	.81	WM5461TR-ND	500	240.81	67503-1020
	Type "Mini-B" USB OTG, Right Angle Receptacle, 5-Position, SMD, Through Hole Shield, Short Body	0°C - 50°C	WM5462CT-ND†	1.73	1.39	1.16	WM5462TR-ND	1,000	693.92	51387-0578
11B	Type "Mini-AB" USB OTG, Right Angle Receptacle, SMD, with Cover Tape	-40°C - 85°C	WM17122CT-ND†	2.23	1.89	1.47	WM17122TR-ND	800	937.13	56579-0576
	Type "Mini-AB" USB OTG, Right Angle Receptacle, SMD, with Cover Tape	0°C - 50°C	WM17148CT-ND†	1.92	1.77	1.45	WM17148TR-ND	2,500	964.06/M	67803-8020
12	Type "Micro-B" USB Receptacle, SMD, Mid Mount	-20°C - 85°C	WM17142CT-ND†	.94	.78	.59	WM17142TR-ND	1,200	470.88/M	47491-0001
13	Type "Micro-B" USB Receptacle, SMD, Mid Mount with Through Hole	-20°C - 85°C	WM1398CT-ND†	.72	.60	.44	WM1398TR-ND	7,500	266.01/M	0476420001
14	Type "Micro-B" USB Receptacle, SMD, Bottom Mount	-20°C - 85°C	WM17141CT-ND†	.79	.66	.50	WM17141TR-ND	2,000	360.18/M	48242-0001
15	Type "Micro-B" USB Right Angle Receptacle, SMD, Bottom Mount with Through Hole	-20°C - 85°C	WM1399CT-ND†	.73	.60	.45	WM1399TR-ND	8,400	289.14/M	1050170001
16	Type "Micro-AB" USB Receptacle, SMD, Top Mount	-20°C - 85°C	WM17144CT-ND†	.73	.67	.55	WM17144TR-ND	1,500	424.62/M	47590-0001
17	Type "Micro-AB" USB Right Angle Receptacle, SMD, Mid Mount Sink Type	-20°C - 85°C	WM1397CT-ND†	.73	.61	.45	WM1397TR-ND	7,500	269.31/M	0476540001
18	Type "Micro-AB" USB Receptacle, SMD, Bottom Mount	-20°C - 85°C	WM17143CT-ND†	.69	.57	.43	WM17143TR-ND	1,500	286.66/M	47589-0001

† Cut Tape

Digi-Reel® Most SMT cutdown parts are available on a Digi-Reel®. For Digi-Reel part number, change 1-ND to 6-ND or CT-ND to DKR-ND. See Digi-Key® Services on page 2 for additional information.

Free shipping on orders over €65! All prices in euro and include duties.

(EU2011-EN) 65