



Dioden

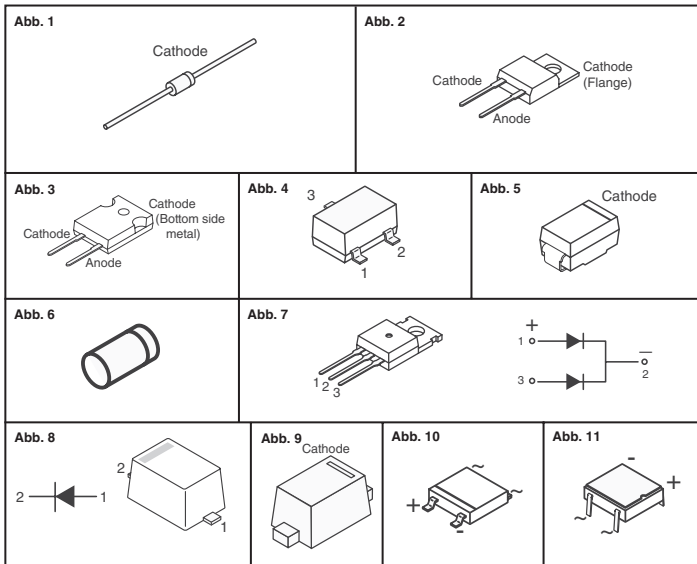


Abb.	Max. Sperrspannung (V)	Max. durchschnittlicher gleichgerichteter Strom (A)	Gehäuse	Digi-Key Teile-Nr.	Gurtabschnittspreise			Gegurtet auf Rolle§			
					1	10	100	Menge	Preisangaben		
1	20	1	DO-41	1N5817FSCCT-ND◆	.43	3.12	18.69	5,000	56.06/M		
	30	1	DO-41	1N5818FSCCT-ND◆	.43	3.12	18.69	5,000	56.06/M		
	30	1	DO-35	FJH1100-ND◆‡	13.33	121.24	1030.55	—	—		
	40	1	DO-41	1N5819FSCCT-ND◆	.43	3.12	18.69	5,000	56.06/M		
	45	12	DO-201AD	SB1245CT-ND◆	1.50	13.38	106.25	1,250	590.20/M		
	50	0.2	DO-35	1N4454CT-ND◆	.16	1.07	4.64	10,000	9.61/M		
	50	0.2	DO-35	1N4150CT-ND◆	.22	1.47	6.41	—	—		
	50	1	DO-41	1N4001FSCCT-ND◆	.26	1.66	7.21	5,000	16.82/M		
	50	4	DO-35	1N4150-ND◆‡	.25	1.61	7.02	—	—		
	70	0.2	DO-35	1N457ACT-ND◆	.20	1.33	5.79	10,000	18.42/M		
	70	0.2	DO-35	1N457CT-ND◆	.32	2.08	9.05	10,000	18.42/M		
	100	0.2	DO-35	1N9148CT-ND◆	.13	.83	3.60	10,000	7.21/M		
	100	0.2	DO-35	1N914CT-ND◆	.14	.90	3.92	10,000	8.01/M		
	100	0.2	DO-35	1N4148TACT-ND◆▲	.11	.75	3.28	5,000	7.72/M		
	100	0.2	DO-35	1N4448CT-ND◆	.16	1.07	4.64	10,000	9.61/M		
	100	0.2	DO-35	1N4148FS-ND◆‡	.11	.75	3.28	—	—		
	100	0.2	DO-35	1N4148FSTR-ND◆	—	—	—	10,000	6.41/M		
	100	1	DO-41	1N4002FSCCT-ND◆	.26	1.66	7.21	5,000	16.82/M		
	100	1	DO-35	1N914ACT-ND◆	.13	.83	3.60	10,000	7.21/M		
	100	1	DO-35	1N914B-ND◆‡	.13	.83	3.60	—	—		
	100	3	DO-201AD	1N5401FSCCT-ND◆	.42	2.95	17.68	1,250	68.08/M		
	125	0.2	DO-35	FDH300TRCT-ND◆	.39	2.59	11.29	10,000	22.43/M		
	125	0.2	DO-35	FDH333-ND◆‡	.39	2.59	11.29	—	—		
	150	0.2	DO-35	1N3595CT-ND◆	.32	2.08	9.05	10,000	18.42/M		
	200	1	DO-41	1N4003FSCCT-ND◆	.27	1.79	7.77	5,000	18.42/M		
	200	3	DO-201AD	1N5402FSCCT-ND◆	.42	2.95	17.68	1,250	68.08/M		
	400	1	DO-41	1N4004FSCCT-ND◆	.27	1.79	7.77	5,000	18.42/M		
	400	1	DO-41	1N4005FSCCT-ND◆	.29	1.88	8.17	5,000	19.22/M		
	600	1	DO-41	1N4937FSCCT-ND◆	.40	2.63	11.45	25,000	19.22/M		
	800	1	DO-41	1N4006FSCCT-ND◆	.27	1.79	7.77	5,000	18.42/M		
	1,000	1	DO-41	1N4007FSCCT-ND◆	.27	1.79	7.77	5,000	18.42/M		
	1,000	1	DO-41	UF4007CT-ND◆	.39	2.78	16.67	5,000	49.65/M		
	1,000	3	DO-201AD	1N5408FSCCT-ND◆	.47	3.36	20.18	1,250	77.68/M		
	2	200	15	TO-220F	FFPF15UP20STTU-ND◆‡	.71	6.31	49.85	—	—	
		600	8	TO-220AC	ISLR860P2-ND◆‡	.98	8.66	68.40	—	—	
		600	8	TO-220AC	RHRP860-ND◆‡	1.10	9.68	76.52	—	—	
		600	8	TO-220AC	RURP860-ND◆‡	.92	8.13	64.22	—	—	
		600	8	TO-220AC	FFP08S60STU-ND◆‡	.81	7.18	56.71	—	—	
		600	8	TO-220-2L	FFP08S60SNTU-ND◆‡	1.03	9.16	72.40	—	—	
		600	8	TO-220F-2L	FFPF08S60SNTU-ND◆‡	.88	7.82	61.81	—	—	
		600	15	TO-220AC	ISLR1560P2-ND◆‡	1.33	12.00	96.49	—	—	
		600	15	TO-220AC	RHRP1560-ND◆‡	1.39	12.28	97.04	—	—	
		600	15	TO-220AC	RURP1560-ND◆‡	1.27	11.54	92.70	—	—	
		600	30	TO-220AC	ISLR3060P2-ND◆‡	2.56	22.91	187.88	—	—	
		600	30	TO-220AC	RURP3060-ND◆‡	1.86	16.81	135.08	—	—	
		1,000	8	TO-220AC	RURP8100-ND◆‡	1.00	8.90	70.32	—	—	
		1,200	8	TO-220AC	RHRP8120-ND◆‡	.97	8.60	67.98	—	—	
		1,200	30	TO-220AC	RHRP30120-ND◆‡	1.98	17.89	143.78	—	—	
		3	200	30	TO-247	RURG3020CC-ND◆‡	3.23	28.80	236.15	—	—
			600	30	TO-247	ISLR3060G2-ND◆‡	2.73	24.38	199.95	—	—
			600	30	TO-247	RHRG3060-ND◆‡	2.47	22.25	178.79	—	—
			600	30	TO-247	RURG3060CC-ND◆‡	3.47	30.99	254.14	—	—
			600	30	TO-247	RURG3060-ND◆‡	2.30	20.76	166.86	—	—
			600	50	TO-247	RURG5060-ND◆‡	3.29	29.36	240.71	—	—
			600	80	TO-247	RURG8060-ND◆‡	4.84	43.28	354.84	—	—
			1,000	80	TO-247	RURG80100-ND◆‡	4.75	42.38	347.50	—	—
			1,200	30	TO-247	RHRG30120-ND◆‡	2.43	21.63	177.38	—	—
			1,200	75	TO-247	RHRG75120-ND◆‡	4.45	39.73	325.78	—	—

Abb.	Max. Sperrspannung (V)	Max. durchschnittlicher gleichgerichteter Strom (A)	Gehäuse	Digi-Key Teile-Nr.	Gurtabschnittspreise			Gegurtet auf Rolle§		
					1	10	100	Menge	Preisangaben	
4	30	0.2	SOT-23	BAR43CT-ND◆	.33	2.20	10.38	3,000	30.43/M	
	30	0.2	SOT-23	BAR43CCT-ND◆	.36	2.43	11.47	3,000	33.64/M	
	30	0.2	SOT-23	BAR43SCT-ND◆	.36	2.43	11.47	3,000	33.69/M	
	30	0.2	SOT-23	BAT54FSCT-ND◆	.38	2.52	10.97	3,000	29.63/M	
	30	0.2	SOT-23	BAT54CFSCCT-ND◆	.38	2.52	10.97	3,000	29.63/M	
	30	0.2	SOT-23	BAT54AFSCCT-ND◆	.36	2.38	10.33	3,000	28.03/M	
	30	0.2	SOT-23	BAT54FSCT-ND◆	.32	2.08	9.05	3,000	24.83/M	
	40	0.75	SOT-23	FYV07045MTFCT-ND◆	.37	2.90	19.84	3,000	84.09/M	
	50	0.2	SOT-23	BAV74FSCT-ND◆	.38	2.52	10.97	3,000	29.62/M	
	70	0.2	SOT-23	BAV70FSCT-ND◆	.38	2.52	10.97	3,000	29.62/M	
	70	0.2	SOT-23	BAV99FSCT-ND◆	.40	2.65	11.53	3,000	31.23/M	
	70	0.2	SOT-323	BAV99WT1GFSCCT-ND◆	.34	2.35	11.08	3,000	32.84/M	
	85	0.2	SOT-23	BAS16FSCT-ND◆	.34	2.25	9.77	3,000	26.43/M	
	85	0.2	SOT-23	BAW56FSCT-ND◆	.39	2.56	11.13	3,000	30.06/M	
	100	0.2	SOT-23	MMBD1201CT-ND◆	.37	2.43	10.57	3,000	28.83/M	
	100	0.2	SOT-23	MMBD1203CT-ND◆	.30	2.07	9.74	3,000	28.61/M	
	100	0.2	SOT-23	MMBD1204CT-ND◆	.33	2.20	10.38	3,000	30.49/M	
	100	0.2	SOT-23	MMBD1205CT-ND◆	.32	2.16	10.19	3,000	29.63/M	
	100	0.2	SOT-23	MMBD4148CCT-ND◆	.34	2.33	10.95	3,000	32.04/M	
	100	0.2	SOT-23	MMBD4148FSCT-ND◆	.35	2.32	10.09	3,000	27.23/M	
	100	0.2	SOT-23	MMBD4148SCT-ND◆	.34	2.33	10.95	3,000	32.04/M	
	100	0.2	SOT-23	MMBD7000FSCT-ND◆	.30	2.04	9.61	3,000	28.23/M	
	100	0.2	SOT-23	MMBD914FSCT-ND◆	.35	2.34	10.17	3,000	27.23/M	
	100	0.25	TO-236AB	FLD261FSCT-ND◆	.43	2.91	13.71	3,000	40.04/M	
	120	0.2	SOT-23	BAS31FSCT-ND◆	.39	2.56	11.13	3,000	30.06/M	
	200	0.2	SOT-23	MMBD1403CT-ND◆	.33	2.23	10.51	3,000	30.87/M	
	200	0.2	SOT-23	MMBD1501ACT-ND◆	.40	2.62	11.37	3,000	30.43/M	
	200	0.2	SOT-23	MMBD1503ACT-ND◆	.37	2.49	11.72	3,000	34.44/M	
	200	0.2	SOT-23	MMBD1504ACT-ND◆	.37	2.49	11.72	3,000	34.44/M	
	200	0.2	SOT-23	MMBD1505ACT-ND◆	.37	2.49	11.72	3,000	34.44/M	
	250	0.2	SOT-23	BAS21FSCT-ND◆	.35	2.34	10.17	3,000	27.46/M	
	250	0.2	SOT-23	BAV23FSCT-ND◆	.34	2.33	10.95	3,000	32.18/M	
	5	20	0.5	SOD-123	MBR0520LCT-ND◆	.50	3.44	16.21	3,000	47.25/M
		20	1	SMA	SS12FSCCT-ND◆	.45	3.16	21.02	7,500	71.28/M
		30	0.5	SOD-123	MBR0530CT-ND◆	.50	3.38	15.89	3,000	46.45/M
		30	2	SMB	SS23CT-ND◆	.45	3.50	23.95	3,000	101.70/M
		40	1	SMA	SS14CT-ND◆	.46	3.28	21.86	7,500	74.48/M
		40	1	SMB	MBRS140FSCT-ND◆	.42	3.26	22.30	3,000	94.50/M
		40	2	SMB	SS24FSCT-ND◆	.45	3.50	23.95	3,000	101.70/M
		40	3	SMC	SS34FSCT-ND◆	.52	4.18	31.37	3,000	147.35/M
		40	4	SMC	MBRS340FSCT-ND◆	.58	4.63	34.70	3,000	163.37/M
		50	1	SMA	S1AFSCCT-ND◆	.42	2.86	13.45	7,500	33.64/M
		50	3	SMC	S3AFSCCT-ND◆	.36	3.50	23.95	3,000	101.70/M
		60	1	SMA	SS16FSCT-ND◆	.38	3.02	20.68	7,500	82.49/M
		60	2	SMB	SS26FSCT-ND◆	.50	3.93	26.89	3,000	113.72/M
		100	1	SMA	S1BFSCCT-ND◆	.42	2.86	13.45	7,500	33.64/M
		100	1	SMA	EGF1BCT-ND◆	.44	3.45	23.61	7,500	93.70/M
		100	1	SMA	S100CT-ND◆	.42	3.42	25.63	7,500	112.92/M
		100	3	SMC	S3BFSCCT-ND◆	.36	2.82	19.27	3,000	81.68/M
		100	3	SMC	ES3BFSCCT-ND◆	.50	3.93	26.89	3,000	113.72/M
		200	1	SMA	ES1DFSCCT-ND◆	.43	3.07	18.40	7,500	55.26/M
		200	2	SMB	ES2DFSCCT-ND◆	.50	3.52	23.42	3,000	84.09/M
		200	3	SMC	ES3DFSCCT-ND◆	.50	3.93	26.89	3,000	113.72/M
		200	3	SMC	S3DFSCCT-ND◆	.36	2.82	19.27	3,000	81.68/M
		300	1	SMA	ES1FCT-ND◆	.43	3.07	18.40	7,500	55.26/M
		400	1	SMA	RS1GFSCCT-ND◆	.36	2.56	15.38	7,500	46.45/M
		400	1	SMA	S1GFSCCT-ND◆	.42	2.86	13.45	7,500	33.64/M
		400	1	SMA	ES1GFSCCT-ND◆	.45	3.18	19.08	7,500	56.86/M
		400	3	SMC	S3GFSCCT-ND◆	.36	2.82	19.27	3,0	