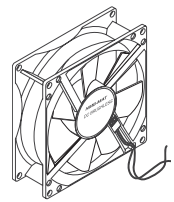




DC 轴向风扇



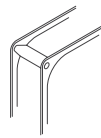
NMB-MAT 组合了 Panasonic Panaflo 和 NMB 风扇产品线。
NMB-MAT 提供完整系列的降温产品。包括直径从 25mm 到 172mm 的 AC 和 DC 轴向风扇和鼓风机。NMB-MAT 施展其特长并由此开发并生产了顶级的风扇和鼓风机。

技术规格: • 工作温度: -10°C ~ 60/70°C 根据型号 (65%RH)

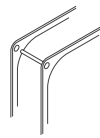
特点: • 空气动力型叶片和文丘里设计 • 在冷却通风极小且周围有许多元件的区域时, 它们是理想的选择。

请注意: 可根据要求提供专用风扇线缆组件。

肋条安装
类型:



法兰安装
类型:



| 尺寸 (mm) | 工作 电压 (VDC) | | 输入 功率 (W) | 最大 气流 (CFM) | 最大气压 (以 H ₂ O 为单位) | 最大 噪音 (dB-A) | 引线 长度 (mm) | 轴承 | 传感器 | 安装 类型 | Digi-Key 零件编号 | 单价 | | NMB Technologies 零件编号 | 护指罩 | 单价 | |
|------------|----------------|-------------|-----------------|-------------------|-------------------------------------|--------------------|------------------|------|------|-----------|------------------|-------|--------------------|--------------------------|--------------------|----------|-----|
| | 标称 | 范围 | | | | | | | | | | 5 | 10 | | | | |
| 25x10 | 5 | 4.5 - 5.5 | 0.625 | 2.0 | .20 | 25.0 | 200 | 滚珠 | — | 肋条 | P12806-ND | 13.58 | 11.68 | 1004KL-01W-B50-B00 | CR181-ND | .54 | |
| | 12 | 8 - 13.8 | 0.72 | 2.0 | .20 | 25.0 | 200 | 滚珠 | — | 肋条 | P12807-ND | 13.58 | 11.68 | 1004KL-04W-B50-B00 | CR181-ND | .54 | |
| | 12 | 8 - 13.8 | 0.72 | 2.0 | .20 | 25.0 | 200 | 滚珠 | 锁定转子 | 肋条 | P13383-ND | 14.20 | 12.22 | 1004KL-04W-B59-B00 | CR181-ND | .54 | |
| 30x10 | 5 | 4.5 - 5.5 | 0.90 | 3.8 | .216 | 27.0 | 200 | 滚珠 | — | 肋条 | P12808-ND | 14.13 | 12.15 | 104KL-01W-B50-B00 | CR377-ND | .64 | |
| | 5 | 4.5 - 5.5 | 0.90 | 3.8 | .216 | 27.0 | 200 | 滚珠 | 锁定转子 | 肋条 | P13384-ND | 14.75 | 12.69 | 1204KL-01W-B59-B00 | CR377-ND | .64 | |
| | 12 | 6 - 13.8 | 0.96 | 3.8 | .216 | 27.0 | 200 | 滚珠 | — | 肋条 | P12809-ND | 14.13 | 12.15 | 104KL-04W-B50-B00 | CR377-ND | .64 | |
| | 12 | 6 - 13.8 | 0.96 | 3.8 | .216 | 27.0 | 200 | 滚珠 | 锁定转子 | 肋条 | P13385-ND | 14.75 | 12.69 | 1204KL-04W-B59-B00 | CR377-ND | .64 | |
| 35x10 | 5 | 4.5 - 5.5 | 1.05 | 5.6 | .16 | 27.0 | 200 | 滚珠 | — | 肋条 | P12810-ND | 14.13 | 12.15 | 1404KL-01W-B50-B00 | CR378-ND | .66 | |
| | 5 | 4.5 - 5.5 | 1.05 | 5.6 | .16 | 27.0 | 200 | 滚珠 | Tac | 肋条 | P13386-ND | 14.38 | 12.37 | 1404KL-01W-B59-B50 | CR378-ND | .66 | |
| | 12 | 8 - 13.8 | 0.96 | 5.6 | .16 | 27.0 | 200 | 滚珠 | — | 肋条 | P12811-ND | 14.13 | 12.15 | 1404KL-04W-B50-B00 | CR378-ND | .66 | |
| | 12 | 8 - 13.8 | 0.96 | 5.6 | .16 | 27.0 | 200 | 滚珠 | 锁定转子 | 肋条 | P13387-ND | 14.75 | 12.69 | 1404KL-04W-B59-B00 | CR378-ND | .66 | |
| 40x10 | 5 | 4.5 - 5.5 | 0.775 | 6.0 | .184 | 29.0 | 200 | 滚珠 | — | 肋条 | P12812-ND | 11.83 | 10.17 | 1604KL-01W-B50-B00 | CR230-ND | .65 | |
| | 5 | 4.5 - 5.5 | 0.775 | 6.0 | .184 | 29.0 | 200 | 滚珠 | 锁定转子 | 肋条 | P13388-ND | 12.45 | 10.71 | 1604KL-01W-B59-B00 | CR230-ND | .65 | |
| | 12 | 10.2 - 13.8 | 0.876 | 5.3 | .136 | 25.0 | 200 | 滚珠 | — | 肋条 | P12813-ND | 11.83 | 10.17 | 1604KL-04W-B40-B00 | CR230-ND | .65 | |
| | 12 | 10.2 - 13.8 | 0.876 | 6.0 | .184 | 29.0 | 200 | 滚珠 | 锁定转子 | 肋条 | P13389-ND | 12.45 | 10.71 | 1604KL-04W-B59-B00 | CR230-ND | .65 | |
| 40x15 | 5 | 4.5 - 5.5 | 0.600 | 6.0 | .145 | 28.0 | 200 | 滚珠 | — | 肋条 | P12814-ND | 11.83 | 10.17 | 1606KL-01W-B30-L00 | CR230-ND | .65 | |
| | 5 | 4.5 - 5.5 | 1.20 | 8.12 | .252 | 34.0 | 200 | 滚珠 | — | 肋条 | P12815-ND | 11.83 | 10.17 | 1606KL-01W-B50-L00 | CR230-ND | .65 | |
| | 5 | 4.5 - 5.5 | 1.20 | 8.1 | .252 | 34.0 | 200 | 滚珠 | 锁定转子 | 肋条 | P13390-ND | 12.45 | 10.71 | 1606KL-01W-B59-L00 | CR230-ND | .65 | |
| | 12 | 10.2 - 13.8 | 0.804 | 6.0 | .145 | 28.0 | 200 | 滚珠 | — | 肋条 | P12816-ND | 11.83 | 10.17 | 1606KL-04W-B30-L00 | CR230-ND | .65 | |
| | 12 | 10.2 - 13.8 | 1.02 | 8.12 | .252 | 34.0 | 200 | 滚珠 | — | 肋条 | P12817-ND | 11.83 | 10.17 | 1606KL-04W-B50-L00 | CR230-ND | .65 | |
| | 12 | 10.2 - 13.8 | 1.02 | 8.1 | .252 | 34.0 | 200 | 滚珠 | 锁定转子 | 肋条 | P13391-ND | 12.45 | 10.71 | 1606KL-04W-B59-L00 | CR230-ND | .65 | |
| 40x20 | 24 | 22.0 - 25.2 | 1.488 | 8.1 | .252 | 34.0 | 200 | 滚珠 | 锁定转子 | 肋条 | P13392-ND | 12.45 | 10.71 | 1606KL-05W-B59-L00 | CR230-ND | .65 | |
| | 5 | 4.5 - 5.5 | 0.35 | 4.9 | .08 | 20.0 | 200 | 滚珠 | — | 肋条 | P12818-ND | 11.83 | 10.17 | 1608KL-01W-B10-L00 | CR230-ND | .65 | |
| | 5 | 4.5 - 5.5 | 0.60 | 6.0 | .12 | 22.5 | 200 | 滚珠 | — | 肋条 | P13576-ND | 11.83 | 10.17 | 1608KL-01W-B20-L00 | CR230-ND | .65 | |
| | 5 | 4.5 - 5.5 | 1.35 | 8.4 | .21 | 29.0 | 200 | 滚珠 | — | 肋条 | P13577-ND | 11.83 | 10.17 | 1608KL-01W-B40-L00 | CR230-ND | .65 | |
| | 5 | 4.5 - 5.5 | 1.90 | 9.5 | .28 | 33.0 | 200 | 滚珠 | — | 肋条 | P12819-ND | 11.83 | 10.17 | 1608KL-01W-B50-L00 | CR230-ND | .65 | |
| | 5 | 4.5 - 5.5 | 1.90 | 9.5 | .28 | 33.0 | 200 | 滚珠 | 锁定转子 | 肋条 | P13393-ND | 12.45 | 10.71 | 1608KL-01W-B59-L00 | CR230-ND | .65 | |
| | 5 | 4.5 - 6.0 | 1.40 | 6.7 | .256 | 33.0 | 300 | 滚珠 | — | 肋条 | P9701-ND | 15.00 | 12.90 | 11.10 | FBK04F05H | CR230-ND | .65 |
| | 12 | 10.2 - 13.8 | 0.48 | 4.9 | .08 | 20.0 | 200 | 滚珠 | — | 肋条 | P12820-ND | 11.83 | 10.17 | 1608KL-04W-B10-L00 | CR230-ND | .65 | |
| | 12 | 10.2 - 13.8 | 0.72 | 6.0 | .12 | 22.5 | 200 | 滚珠 | — | 肋条 | P13578-ND | 11.83 | 10.17 | 1608KL-04W-B20-L00 | CR230-ND | .65 | |
| | 12 | 10.2 - 13.8 | 0.72 | 6.0 | .12 | 22.5 | 200 | 滚珠 | 锁定转子 | 肋条 | P13579-ND | 12.45 | 10.71 | 1608KL-04W-B29-L00 | CR230-ND | .65 | |
| | 12 | 10.2 - 13.8 | 0.84 | 7.4 | .17 | 25.5 | 200 | 滚珠 | — | 肋条 | P13580-ND | 11.83 | 10.17 | 1608KL-04W-B30-L00 | CR230-ND | .65 | |
| | 12 | 10.2 - 13.8 | 1.08 | 8.4 | .21 | 29.0 | 200 | 滚珠 | — | 肋条 | P13581-ND | 11.83 | 10.17 | 1608KL-04W-B40-L00 | CR230-ND | .65 | |
| | 12 | 10.2 - 13.8 | 1.08 | 8.4 | .21 | 29.0 | 200 | 滚珠 | 锁定转子 | 肋条 | P13582-ND | 12.45 | 10.71 | 1608KL-04W-B49-L00 | CR230-ND | .65 | |
| | 12 | 10.2 - 13.8 | 1.32 | 9.5 | .28 | 33.0 | 200 | 滚珠 | — | 肋条 | P12821-ND | 11.83 | 10.17 | 1608KL-04W-B50-L00 | CR230-ND | .65 | |
| | 12 | 10.2 - 13.8 | 1.32 | 9.5 | .28 | 33.0 | 200 | 滚珠 | 锁定转子 | 肋条 | P13394-ND | 12.45 | 10.71 | 1608KL-04W-B59-L00 | CR230-ND | .65 | |
| | 24 | 20.0 - 25.2 | 0.96 | 4.9 | .08 | 20.0 | 200 | 滚珠 | — | 肋条 | P12822-ND | 11.83 | 10.17 | 1608KL-05W-B10-L00 | CR230-ND | .65 | |
| 24 | 20.0 - 25.2 | 1.68 | 8.4 | .21 | 29.0 | 200 | 滚珠 | — | 肋条 | P13585-ND | 11.83 | 10.17 | 1608KL-05W-B40-L00 | CR230-ND | .65 | | |
| 24 | 20.0 - 25.2 | 1.92 | 9.5 | .28 | 33.0 | 200 | 滚珠 | — | 肋条 | P12823-ND | 11.83 | 10.17 | 1608KL-05W-B50-L00 | CR230-ND | .65 | | |
| 24 | 20.0 - 25.2 | 1.92 | 9.5 | .28 | 33.0 | 200 | 滚珠 | 锁定转子 | 肋条 | P13395-ND | 12.45 | 10.71 | 1608KL-05W-B59-L00 | CR230-ND | .65 | | |
| 50x10 | 5 | 4.5 - 6.0 | 1.50 | 10.2 | .14 | 34.0 | 200 | 滚珠 | — | 肋条 | P12824-ND | 11.83 | 10.17 | 2004KL-01W-B50-B00 | CR379-ND | .86 | |
| | 5 | 4.5 - 6.0 | 1.50 | 10.2 | .14 | 34.0 | 200 | 滚珠 | 锁定转子 | 肋条 | P13396-ND | 12.45 | 10.71 | 2004KL-01W-B59-B00 | CR379-ND | .86 | |
| | 12 | 10.2 - 13.8 | 1.20 | 10.2 | .14 | 34.0 | 200 | 滚珠 | — | 肋条 | P12825-ND | 11.83 | 10.17 | 2004KL-04W-B50-B00 | CR379-ND | .86 | |
| | 12 | 10.2 - 13.8 | 1.20 | 10.2 | .14 | 34.0 | 200 | 滚珠 | 锁定转子 | 肋条 | P13397-ND | 12.45 | 10.71 | 2004KL-04W-B59-B00 | CR379-ND | .86 | |
| 52x15 | 12 | 10.2 - 13.0 | 1.56 | 14.1 | .14 | 30.0 | 200 | 滚珠 | — | 肋条 | P12826-ND | 11.38 | 9.79 | 2106KL-04W-B50-L00 | CR388-ND | .59 | |
| | 12 | 10.2 - 13.0 | 1.56 | 14.1 | .14 | 30.0 | 200 | 滚珠 | 锁定转子 | 肋条 | P13398-ND | 12.00 | 10.32 | 2106KL-04W-B59-L00 | CR388-ND | .59 | |
| 60x15 | 12 | 7.0 - 13.8 | 0.48 | 6.7 | .03 | 19.0 | 200 | 滚珠 | — | 肋条 | P12827-ND | 11.13 | 9.57 | 2406KL-04W-B10-L00 | CR221-ND | .68 | |
| | 12 | 6.0 - 13.8 | 1.08 | 14.1 | .13 | 28.0 | 200 | 滚珠 | — | 肋条 | P13494-ND | 11.13 | 9.57 | 2406KL-04W-B30-L00 | CR221-ND | .68 | |
| | 12 | 6.0 - 13.8 | 1.08 | 14.1 | .13 | 28.0 | 200 | 滚珠 | 锁定转子 | 肋条 | P13495-ND | 11.75 | 10.11 | 2406KL-04W-B39-L00 | CR221-ND | .68 | |
| | 12 | 6.0 - 13.8 | 1.92 | 18.3 | .20 | 34.0 | 200 | 滚珠 | — | 肋条 | P12828-ND | 11.13 | 9.57 | 2406KL-04W-B50-L00 | CR221-ND | .68 | |
| | 12 | 6.0 - 13.8 | 1.92 | 18.3 | .20 | 34.0 | 200 | 滚珠 | 锁定转子 | 肋条 | P13399-ND | 11.75 | 10.11 | 2406KL-04W-B59-L00 | CR221-ND | .68 | |
| | 24 | 12.0 - 27.6 | 1.44 | 14.1 | .13 | 28.0 | 200 | 滚珠 | — | 肋条 | P13496-ND | 11.13 | 9.57 | 2406KL-05W-B30-L00 | CR221-ND | .68 | |
| 60x20 | 24 | 10.0 - 27.6 | 2.40 | 18.3 | .20 | 34.0 | 200 | 滚珠 | — | 肋条 | P12829-ND | 11.13 | 9.57 | 2406KL-05W-B50-L00 | CR221-ND | .68 | |
| | 24 | 14 - 27.6 | 1.99 | 16.6 | .187 | 32.0 | 325 | 水波 | — | 肋条 | P9727-ND | 10.00 | 8.60 | 7.40 | FBA06T24H | CR221-ND | .68 |
| | 12 | 6.0 - 13.8 | 0.60 | 10.9 | .07 | 22.5 | 300 | 滚珠 | — | 肋条 | P12830-ND | 11.25 | 9.68 | 8.33 | 2408NL-04W-B10-L00 | CR221-ND | .68 |
| | 12 | 6.0 - 13.8 | 1.32 | 17.6 | .16 | 31.5 | 300 | 滚珠 | — | 肋条 | P12831-ND | 11.25 | 9.68 | 8.33 | 2408NL-04W-B50-L00 | CR221-ND | .68 |
| 60x25 | 12 | 6.0 - 13.8 | 1.32 | 17.6 | .16 | 31.5 | 300 | 滚珠 | 锁定转子 | 肋条 | P13400-ND | 11.88 | 10.22 | 8.79 | 2408NL-04W-B59-L00 | CR221-ND | .68 |
| | 12 | 6.0 - 13.8 | 1.32 | 17.6 | .16 | 31.5 | 300 | 滚珠 | 锁定转子 | 法兰 | P13402-ND | 11.88 | 10.22 | 8.79 | 2408NL-04W-B59-P00 | CR221-ND | .68 |
| | 24 | 15.0 - 27.6 | 1.20 | 15.9 | .13 | 29.0 | 300 | 滚珠 | — | 肋条 | P12832-ND | 11.25 | 9.68 | 8.33 | 2408NL-05W-B40-L00 | CR221-ND | .68 |
| | 24 | 15.0 - 27.6 | 1.32 | 17.6 | .16 | 31.5 | 300 | 滚珠 | 锁定转子 | 肋条 | P13401-ND | 11.88 | 10.22 | 8.79 | 2408NL-05W-B59-L00 | CR221-ND | .68 |
| 60x25 | 12 | 6.0 - 13.8 | 0.90 | 13.7 | .08 | 23.0 | 300 | 滚珠 | — | 肋条 | P12833-ND | 10.83 | 9.31 | 8.02 | 2410ML-04W-B10-B00 | CR221-ND | .68 |
| | 12 | 6.0 - 13.8 | 2.04 | 21.5 | .20 | 33.5 | 300 | 滚珠 | — | 肋条 | P12834-ND | 10.83 | 9.31 | 8.02 | 2410ML-04W-B40-B00 | CR221-ND | .68 |
| | 12 | 6.0 - 13.8 | 1.80 | 24.0 | .20 | 33.5 | 300 | 滚珠 | 锁定转子 | 肋条 | P13403-ND | 8.08 | 6.95 | 5.98 | 2410RL-04W-B59-C00 | CR221-ND | .68 |
| | 12 | 6.0 - 13.8 | 3.24 | 28.5 | .27 | 38.0 | 300 | 滚珠 | 锁定转子 | 肋条 | P13404-ND | 8.08 | 6.95 | 5.98 | 2410RL- | | |



DC 轴向风扇 (接上页)

| 尺寸 (mm) | 工作电压 (VDC) | | 输入功率 (W) | 最大气流 (CFM) | 最大气压 (以 H ₂ O 为单位) | 最大噪音 (dB-A) | 引线长度 (mm) | 轴承 | 传感器 | 安装类型 | Digi-Key 零件编号 | 单价 | | | NMB Technologies 零件编号 | 护指罩 | 单价 | |
|---------|------------|-------------|------------|------------|-------------------------------|-------------|-----------|------|------|-----------|---------------|-----------|-------|--------------|-----------------------|--------------------|----------|-----|
| | 标称 | 范围 | | | | | | | | | | 1 | 5 | 10 | | | | |
| 60x25.5 | 12 | 7 - 13.8 | 2.52 | 20.5 | .236 | 37.0 | 315 | 水波 | — | 法兰 | P9758-ND | 8.25 | 7.10 | 6.11 | FBA06A12U1A | CR221-ND | .68 | |
| | 12 | 7 - 13.8 | 2.52 | 20.5 | .236 | 37.0 | 315 | 水波 | 锁定转子 | 法兰 | P9995-ND | 8.50 | 7.31 | 6.29 | FBA06A12U1BS | CR221-ND | .68 | |
| | 12 | 7 - 13.8 | 2.04 | 19.1 | .20 | 32.0 | 315 | 水波 | — | 法兰 | P9729-ND | 8.25 | 7.10 | 6.11 | FBA06A12H1A | CR221-ND | .68 | |
| | 12 | 7 - 13.8 | 2.04 | 19.1 | .20 | 32.0 | 315 | 水波 | Tac | 法兰 | P11033-ND | 8.75 | 7.53 | 6.48 | FBA06A12H1BX | CR221-ND | .68 | |
| | 12 | 7 - 13.8 | 1.56 | 16.6 | .15 | 28.0 | 315 | 水波 | — | 法兰 | P9767-ND | 8.25 | 7.10 | 6.11 | FBA06A12M1A | CR221-ND | .68 | |
| | 12 | 7 - 13.8 | 1.32 | 14.1 | .12 | 24.0 | 315 | 水波 | — | 法兰 | P9728-ND | 8.25 | 7.10 | 6.11 | FBA06A12L1A | CR221-ND | .68 | |
| | 12 | 7 - 13.8 | 1.32 | 14.1 | .12 | 24.0 | 315 | 水波 | Tac | 法兰 | P11034-ND | 8.75 | 7.53 | 6.48 | FBA06A12L1BX | CR221-ND | .68 | |
| | 24 | 14 - 27.6 | 2.52 | 19.1 | .20 | 32.0 | 315 | 水波 | — | 法兰 | P9731-ND | 8.25 | 7.10 | 6.11 | FBA06A24H1A | CR221-ND | .68 | |
| | 24 | 14 - 27.6 | 2.16 | 16.6 | .15 | 28.0 | 315 | 水波 | — | 法兰 | P9768-ND | 8.25 | 7.10 | 6.11 | FBA06A24M1A | CR221-ND | .68 | |
| | 24 | 14 - 27.6 | 1.68 | 14.1 | .12 | 24.0 | 315 | 水波 | — | 法兰 | P9730-ND | 8.25 | 7.10 | 6.11 | FBA06A24L1A | CR221-ND | .68 | |
| | 80x15 | 12 | 6.0 - 13.8 | 1.32 | 23.3 | .06 | 26.0 | 300 | 滚珠 | — | 肋条 | P13571-ND | 12.08 | 10.39 | 8.94 | 3106KL-04W-B30-B02 | CR180-ND | .93 |
| | | 12 | 6.0 - 13.8 | 1.32 | 23.3 | .06 | 26.0 | 300 | 滚珠 | 锁定转子 | 肋条 | P13572-ND | 12.70 | 10.93 | 9.40 | 3106KL-04W-B39-B00 | CR180-ND | .93 |
| 12 | | 6.0 - 13.0 | 2.76 | 32.8 | .12 | 34.0 | 300 | 滚珠 | — | 肋条 | P13498-ND | 12.08 | 10.39 | 8.94 | 3106KL-04W-B50-B01 | CR180-ND | .93 | |
| 12 | | 6.0 - 13.0 | 2.76 | 32.8 | .12 | 34.0 | 300 | 滚珠 | 锁定转子 | 肋条 | P13570-ND | 12.70 | 10.93 | 9.40 | 3106KL-04W-B59-B00 | CR180-ND | .93 | |
| 24 | | 10.0 - 27.6 | 1.68 | 23.3 | .06 | 26.0 | 300 | 滚珠 | — | 肋条 | P13575-ND | 12.08 | 10.39 | 8.94 | 3106KL-05W-B30-B00 | CR180-ND | .93 | |
| 24 | | 10.0 - 27.6 | 2.88 | 32.8 | .12 | 34.0 | 300 | 滚珠 | 锁定转子 | 肋条 | P13574-ND | 13.00 | 11.18 | 9.62 | 3106KL-05W-B59-B00 | CR180-ND | .93 | |
| 80x20 | 12 | 6.0 - 13.8 | 1.08 | 26.5 | .08 | 26.0 | 300 | 滚珠 | — | 法兰 | P12836-ND | 11.55 | 9.94 | 8.55 | 3108NL-04W-B10-P00 | CR180-ND | .93 | |
| | 12 | 6.0 - 13.8 | 3.36 | 44.0 | .20 | 42.0 | 300 | 滚珠 | — | 法兰 | P12837-ND | 11.55 | 9.94 | 8.55 | 3108NL-04W-B50-P00 | CR180-ND | .93 | |
| | 12 | 6.0 - 13.8 | 3.36 | 44.0 | .20 | 42.0 | 300 | 滚珠 | 锁定转子 | 肋条 | P13408-ND | 12.18 | 10.47 | 9.01 | 3108NL-04W-B59-L00 | CR180-ND | .93 | |
| | 24 | 15.0 - 27.6 | 1.30 | 26.5 | .08 | 26.0 | 300 | 滚珠 | — | 法兰 | P12838-ND | 11.55 | 9.94 | 8.55 | 3108NL-05W-B10-P00 | CR180-ND | .93 | |
| | 24 | 15.0 - 27.6 | 3.60 | 44.0 | .20 | 42.0 | 300 | 滚珠 | — | 法兰 | P12839-ND | 11.55 | 9.94 | 8.55 | 3108NL-05W-B59-P00 | CR180-ND | .93 | |
| | 24 | 15.0 - 27.6 | 3.60 | 44.0 | .20 | 42.0 | 300 | 滚珠 | 锁定转子 | 法兰 | P13409-ND | 12.18 | 10.47 | 9.01 | 3108NL-05W-B59-P00 | CR180-ND | .93 | |
| 80x25 | 12 | 6.0 - 13.8 | 1.20 | 24.7 | .07 | 22.0 | 300 | 滚珠 | — | 法兰 | P12840-ND | 11.13 | 9.57 | 8.24 | 3110KL-04W-B10-P00 | CR180-ND | .93 | |
| | 12 | 6.0 - 13.8 | 1.20 | 24.7 | .07 | 22.0 | 300 | 滚珠 | — | 法兰 | P13485-ND | 11.55 | 9.94 | 8.55 | 3110KL-04W-B10-D00 | CR180-ND | .93 | |
| | 12 | 6.0 - 13.8 | 2.04 | 31.8 | .10 | 26.5 | 300 | 滚珠 | — | 法兰 | P13486-ND | 11.55 | 9.94 | 8.55 | 3110KL-04W-B30-D00 | CR180-ND | .93 | |
| | 12 | 6.0 - 13.8 | 2.76 | 38.8 | .15 | 34.0 | 300 | 滚珠 | — | 法兰 | P13487-ND | 11.55 | 9.94 | 8.55 | 3110KL-04W-B50-D00 | CR180-ND | .93 | |
| | 12 | 6.0 - 13.0 | 3.12 | 40.2 | .16 | 35.0 | 300 | 滚珠 | 锁定转子 | 法兰 | P13488-ND | 12.18 | 10.47 | 9.01 | 3110KL-04W-B69-D00 | CR180-ND | .93 | |
| | 24 | 10.0 - 27.6 | 1.44 | 24.7 | .07 | 22.0 | 300 | 滚珠 | — | 法兰 | P13489-ND | 11.55 | 9.94 | 8.55 | 3110KL-05W-B10-D00 | CR180-ND | .93 | |
| 80x25.5 | 12 | 7 - 13.8 | 3.24 | 46.9 | .189 | 38.2 | 300 | 水波 | — | 法兰 | P9759-ND | 8.25 | 7.10 | 6.11 | FBA08A12U1A | CR180-ND | .93 | |
| | 12 | 7 - 13.8 | 3.24 | 46.9 | .189 | 38.2 | 300 | 水波 | 锁定转子 | 法兰 | P9997-ND | 8.50 | 7.31 | 6.29 | FBA08A12U1BS | CR180-ND | .93 | |
| | 12 | 7 - 13.8 | 2.08 | 39.6 | .148 | 32.0 | 300 | 水波 | — | 法兰 | P9738-ND | 8.25 | 7.10 | 6.11 | FBA08A12H1A | CR180-ND | .93 | |
| | 12 | 7 - 13.8 | 2.08 | 39.6 | .148 | 32.0 | 300 | 水波 | — | 肋条 | P11035-ND | 8.00 | 6.88 | 5.92 | FBA08A12H1AZ | CR180-ND | .93 | |
| | 12 | 7 - 13.8 | 2.08 | 39.6 | .148 | 32.0 | 300 | 水波 | 锁定转子 | 法兰 | P11036-ND | 8.50 | 7.31 | 6.29 | FBA08A12H1BS | CR180-ND | .93 | |
| | 12 | 7 - 13.8 | 1.49 | 32.1 | .098 | 28.0 | 300 | 水波 | — | 法兰 | P9737-ND | 8.25 | 7.10 | 6.11 | FBA08A12M1A | CR180-ND | .93 | |
| | 12 | 7 - 13.8 | 1.49 | 32.1 | .098 | 28.0 | 300 | 水波 | 锁定转子 | 法兰 | P11038-ND | 8.50 | 7.31 | 6.29 | FBA08A12M1BS | CR180-ND | .93 | |
| | 12 | 7 - 13.8 | 1.49 | 32.1 | .098 | 28.0 | 300 | 水波 | Tac | 法兰 | P11039-ND | 8.75 | 7.53 | 6.48 | FBA08A12M1BX | CR180-ND | .93 | |
| | 12 | 7 - 13.8 | 0.82 | 24.0 | .061 | 21.0 | 300 | 水波 | — | 法兰 | P9736-ND | 8.25 | 7.10 | 6.11 | FBA08A12L1A | CR180-ND | .93 | |
| | 12 | 7 - 13.8 | 0.82 | 24.0 | .061 | 21.0 | 300 | 水波 | — | 肋条 | P11037-ND | 8.25 | 7.10 | 6.11 | FBA08A12L1AZ | CR180-ND | .93 | |
| | 24 | 14 - 27.6 | 2.52 | 39.6 | .148 | 32.0 | 300 | 水波 | — | 法兰 | P9741-ND | 8.25 | 7.10 | 6.11 | FBA08A24H1A | CR180-ND | .93 | |
| | 24 | 14 - 27.6 | 2.52 | 39.6 | .148 | 32.0 | 300 | 水波 | Tac | 法兰 | P11097-ND | 11.50 | 10.07 | 8.63 | FBA08A24H1CX | CR180-ND | .93 | |
| 24 | 14 - 27.6 | 1.70 | 32.1 | .098 | 28.0 | 300 | 水波 | — | 法兰 | P9740-ND | 8.25 | 7.10 | 6.11 | FBA08A24M1A | CR180-ND | .93 | | |
| 24 | 14 - 27.6 | 1.30 | 24.0 | .061 | 21.0 | 300 | 水波 | — | 法兰 | P9739-ND | 8.25 | 7.10 | 6.11 | FBA08A24L1A | CR180-ND | .93 | | |
| 80x32 | 12 | 6.0 - 13.8 | 3.00 | 46.9 | .22 | 37.0 | 300 | 滚珠 | — | 法兰 | P12845-ND | 12.33 | 10.60 | 9.13 | 3112KL-04W-B40-E00 | CR180-ND | .93 | |
| | 12 | 6.0 - 12.6 | 5.40 | 58.6 | .32 | 44.0 | 300 | 滚珠 | 锁定转子 | 法兰 | P13412-ND | 12.95 | 11.14 | 9.59 | 3112KL-04W-B69-E00 | CR180-ND | .93 | |
| | 24 | 10.0 - 27.6 | 3.36 | 46.9 | .22 | 37.0 | 300 | 滚珠 | — | 法兰 | P12846-ND | 12.33 | 10.60 | 9.13 | 3112KL-05W-B40-E00 | CR180-ND | .93 | |
| | 24 | 10.0 - 25.2 | 5.04 | 58.6 | .32 | 44.0 | 300 | 滚珠 | 锁定转子 | 法兰 | P13413-ND | 12.95 | 11.14 | 9.59 | 3112KL-05W-B69-E00 | CR180-ND | .93 | |
| 92x25 | 12 | 6.0 - 13.8 | 0.876 | 26.5 | .06 | 25.0 | 300 | 滚珠 | — | 法兰 | P13415-ND | 12.75 | 10.97 | 9.44 | 3610KL-04W-B10-D00 | CR220-ND | .77 | |
| | 12 | 6.0 - 13.8 | 2.64 | 47.6 | .15 | 37.5 | 300 | 滚珠 | — | 法兰 | P12847-ND | 12.75 | 10.97 | 9.44 | 3610KL-04W-B40-D00 | CR220-ND | .77 | |
| | 12 | 6.0 - 13.8 | 2.64 | 47.6 | .15 | 37.5 | 300 | 滚珠 | 锁定转子 | 肋条 | P13414-ND | 13.38 | 11.51 | 9.90 | 3610KL-04W-B49-G00 | CR220-ND | .77 | |
| | 24 | 10.0 - 25.0 | 3.84 | 54.7 | .19 | 41.0 | 300 | 滚珠 | — | 肋条 | P12848-ND | 12.75 | 10.97 | 9.44 | 3610KL-05W-B50-D00 | CR220-ND | .77 | |
| 92x25.5 | 12 | 7 - 13.8 | 5.16 | 68.8 | .197 | 43.0 | 295 | 水波 | — | 法兰 | P9760-ND | 8.25 | 7.10 | 6.11 | FBA09A12U1A | CR220-ND | .77 | |
| | 12 | 7 - 13.8 | 5.16 | 68.8 | .197 | 43.0 | 295 | 水波 | 锁定转子 | 肋条 | P11044-ND | 8.50 | 7.31 | 6.29 | FBA09A12U1B0 | CR220-ND | .77 | |
| | 12 | 7 - 13.8 | 5.16 | 68.8 | .197 | 43.0 | 295 | 水波 | Tac | 法兰 | P9975-ND | 8.75 | 7.53 | 6.48 | FBA09A12U1BX | CR220-ND | .77 | |
| | 12 | 7 - 13.8 | 2.70 | 56.8 | .148 | 35.0 | 295 | 水波 | — | 法兰 | P9744-ND | 8.25 | 7.10 | 6.11 | FBA09A12H1A | CR220-ND | .77 | |
| | 12 | 7 - 13.8 | 2.70 | 56.8 | .148 | 35.0 | 295 | 水波 | — | 法兰 | P11040-ND | 8.25 | 7.10 | 6.11 | FBA09A12H1AZ | CR220-ND | .77 | |
| | 12 | 7 - 13.8 | 2.70 | 56.8 | .148 | 35.0 | 295 | 水波 | 锁定转子 | 肋条 | P11041-ND | 8.50 | 7.31 | 6.29 | FBA09A12H1B0 | CR220-ND | .77 | |
| | 12 | 7 - 13.8 | 2.70 | 56.8 | .148 | 35.0 | 295 | 水波 | Tac | 法兰 | P13481-ND | 9.00 | 7.74 | 6.66 | FBA09A12H1BQ | CR220-ND | .77 | |
| | 12 | 7 - 13.8 | 2.70 | 56.8 | .148 | 35.0 | 295 | 水波 | Tac | 法兰 | P11042-ND | 8.75 | 7.53 | 6.48 | FBA09A12H1BX | CR220-ND | .77 | |
| | 12 | 7 - 13.8 | 1.80 | 48.0 | .118 | 30.0 | 295 | 水波 | — | 法兰 | P9743-ND | 8.25 | 7.10 | 6.11 | FBA09A12M1A | CR220-ND | .77 | |
| | 12 | 7 - 13.8 | 1.32 | 42.7 | .09 | 27.0 | 295 | 水波 | — | 法兰 | P9742-ND | 8.25 | 7.10 | 6.11 | FBA09A12L1A | CR220-ND | .77 | |
| | 24 | 14 - 27.6 | 1.32 | 42.7 | .09 | 27.0 | 295 | 水波 | Tac | 法兰 | P11043-ND | 8.75 | 7.53 | 6.48 | FBA09A12L1BX | CR220-ND | .77 | |
| | 24 | 12 - 27.6 | 7.2 | 68.8 | .181 | 47.0 | 295 | 水波 | Tac | 法兰 | P11096-ND | 8.75 | 7.53 | 6.48 | FBA09A24U1BX | CR220-ND | .77 | |
| 24 | 14 - 27.6 | 3.36 | 56.8 | .148 | 35.0 | 295 | 水波 | — | 法兰 | P9747-ND | 8.25 | 7.10 | 6.11 | FBA09A24H1A | CR220-ND | .77 | | |
| 24 | 14 - 27.6 | 3.36 | 56.8 | .148 | 35.0 | 295 | 水波 | — | 肋条 | P11045-ND | 8.25 | 7.10 | 6.11 | FBA09A24H1AZ | CR220-ND | .77 | | |
| 24 | 14 - 27.6 | 3.36 | 56.8 | .148 | 35.0 | 295 | 水波 | 锁定转子 | 法兰 | P11046-ND | 8.50 | 7.31 | 6.29 | FBA09A24H1BS | CR220-ND | .77 | | |
| 24 | 14 - 27.6 | 3.36 | 56.8 | .148 | 35.0 | 295 | 水波 | Tac | 法兰 | P11047-ND | 8.75 | 7.53 | 6.48 | FBA09A24H1BX | CR220-ND | .77 | | |
| 24 | 14 - 27.6 | | | | | | | | | | | | | | | | | |



DC 轴向风扇 (接上页)

| 尺寸 (mm) | 工作电压 (VDC) | | 输入功率 (W) | 最大气流 (CFM) | 最大气流 (以 H ₂ O 为单位) | 最大噪音 (dB-A) | 引线长度 (mm) | 轴承 | 传感器 | 安装类型 | Digi-Key 零件编号 | 单价 | | | NMB Technologies 零件编号 | 护指罩 | 单价 |
|------------|------------|-------------|------------|------------|-------------------------------|-------------|-----------|-----|------|------|---------------|-----------|-------|-------|-----------------------|--------------------|----------|
| | 标称 | 范围 | | | | | | | | | | 1 | 5 | 10 | | | |
| 119x38 | 12 | 6.0 - 13.8 | 6.60 | 108.0 | .27 | 42.5 | 300 | 滚珠 | — | 法兰 | P12857-ND | 19.40 | 16.69 | 14.36 | 4715KL-04W-B30-P00 | CR210-ND | 1.72 |
| | 12 | 6.0 - 13.8 | 8.40 | 118.0 | .33 | 46.5 | 300 | 滚珠 | — | 法兰 | P12858-ND | 19.40 | 16.69 | 14.36 | 4715KL-04W-B40-P00 | CR210-ND | 1.72 |
| | 12 | 8.0 - 13.2 | 17.50 | 162.0 | .69 | 56.5 | 300 | 滚珠 | — | 法兰 | P12862-ND | 53.48 | 45.99 | 39.58 | 4715SL-04W-B50-D00 | CR210-ND | 1.72 |
| | 12 | 9.5 - 12.6 | 12.0 | 129.9 | .44 | 50.0 | 300 | 滚珠 | 锁定转子 | 法兰 | P13424-ND | 20.03 | 17.23 | 14.82 | 4715KL-04W-B59-P00 | CR210-ND | 1.72 |
| | 12 | 8.0 - 12.9 | 23.0 | 181.0 | .85 | 59.5 | 300 | 滚珠 | 锁定转子 | 法兰 | P13427-ND | 54.10 | 46.53 | 40.04 | 4715SL-04W-B69-D00 | CR210-ND | 1.72 |
| | 24 | 10.0 - 27.6 | 7.44 | 108.0 | .27 | 42.5 | 300 | 滚珠 | — | 法兰 | P12859-ND | 19.40 | 16.69 | 14.36 | 4715KL-05W-B30-P00 | CR210-ND | 1.72 |
| | 24 | 10.0 - 27.6 | 8.40 | 118.0 | .33 | 46.5 | 300 | 滚珠 | — | 法兰 | P12860-ND | 19.40 | 16.69 | 14.36 | 4715KL-05W-B40-P00 | CR210-ND | 1.72 |
| | 24 | 15.0 - 27.6 | 17.80 | 162.0 | .69 | 56.5 | 300 | 滚珠 | — | 法兰 | P12863-ND | 53.48 | 45.99 | 39.58 | 4715SL-05W-B50-D00 | CR210-ND | 1.72 |
| | 24 | 18.0 - 25.0 | 12.0 | 130.0 | .44 | 50.0 | 300 | 滚珠 | 锁定转子 | 法兰 | P13425-ND | 20.03 | 17.23 | 14.82 | 4715KL-05W-B59-P00 | CR210-ND | 1.72 |
| | 48 | 25.0 - 55.2 | 7.68 | 108.0 | .27 | 42.5 | 300 | 滚珠 | — | 法兰 | P12861-ND | 19.40 | 16.69 | 14.36 | 4715KL-07W-B30-P00 | CR210-ND | 1.72 |
| | 48 | 25.0 - 55.2 | 7.68 | 108.0 | .27 | 42.5 | 300 | 滚珠 | 锁定转子 | 法兰 | P13426-ND | 20.03 | 17.23 | 14.82 | 4715KL-07W-B39-P00 | CR210-ND | 1.72 |
| | 48 | 30.0 - 50.4 | 39.84 | 201.0 | 1.04 | 62.3 | 300 | 滚珠 | 锁定转子 | 法兰 | P13430-ND | 66.13 | 56.87 | 48.94 | 4715SL-07W-B79-D00 | CR210-ND | 1.72 |
| 120x38 | 12 | 7 - 13.8 | 7.80 | 114.7 | .315 | 45.5 | 280 | 水波 | — | 法兰 | P9761-ND | 18.13 | 15.59 | 13.42 | FBA12G12U1A | CR210-ND | 1.72 |
| | 12 | 7 - 13.8 | 5.52 | 103.8 | .267 | 41.5 | 280 | 水波 | — | 法兰 | P9750-ND | 18.13 | 15.59 | 13.42 | FBA12G12H1A | CR210-ND | 1.72 |
| | 12 | 7 - 13.8 | 5.52 | 103.8 | .267 | 41.5 | 280 | 水波 | — | 肋条 | P11048-ND | 18.13 | 15.59 | 13.42 | FBA12G12H1AZ | CR210-ND | 1.72 |
| | 12 | 7 - 13.8 | 5.52 | 103.8 | .267 | 41.5 | 280 | 水波 | Tac | 法兰 | P11050-ND | 18.63 | 16.02 | 13.79 | FBA12G12H1BX | CR210-ND | 1.72 |
| | 12 | 7 - 13.8 | 4.08 | 86.5 | .189 | 35.5 | 280 | 水波 | — | 法兰 | P9749-ND | 18.13 | 15.59 | 13.42 | FBA12G12M1A | CR210-ND | 1.72 |
| | 12 | 7 - 13.8 | 2.16 | 68.9 | .130 | 30.0 | 280 | 水波 | — | 法兰 | P9748-ND | 18.13 | 15.59 | 13.42 | FBA12G12L1A | CR210-ND | 1.72 |
| | 24 | 14 - 27.6 | 5.52 | 103.8 | .267 | 41.5 | 280 | 水波 | — | 法兰 | P9753-ND | 17.88 | 15.38 | 13.23 | FBA12G24H1A | CR210-ND | 1.72 |
| | 24 | 14 - 27.6 | 5.52 | 103.8 | .267 | 41.5 | 280 | 水波 | Tac | 法兰 | P11080-ND | 18.63 | 16.02 | 13.79 | FBA12G24H1BX | CR210-ND | 1.72 |
| | 24 | 14 - 27.6 | 3.84 | 86.5 | .189 | 35.5 | 280 | 水波 | — | 法兰 | P9752-ND | 17.88 | 15.38 | 13.23 | FBA12G24M1A | CR210-ND | 1.72 |
| | 24 | 14 - 27.6 | 4.80 | 103.8 | .26 | 41.5 | 280 | 水波 | — | 法兰 | P13480-ND | 17.88 | 15.38 | 13.23 | FBA12G24U1A | CR210-ND | 1.72 |
| | 24 | 14 - 27.6 | 2.64 | 68.9 | .130 | 30.0 | 280 | 水波 | — | 法兰 | P9751-ND | 17.88 | 15.38 | 13.23 | FBA12G24L1A | CR210-ND | 1.72 |
| | 150x172x25 | 12 | 6.0 - 18.0 | 24.7 | 250 | .65 | 62.5 | 400 | 滚珠 | — | 肋条 | P12864-ND | 76.63 | 65.90 | 56.71 | 5910PL-04W-B50-L00 | CR191-ND |
| 24 | | 12.0 - 30.0 | 24.0 | 250.0 | .65 | 62.5 | 400 | 滚珠 | — | 肋条 | P12865-ND | 76.63 | 65.90 | 56.71 | 5910PL-05W-B50-L00 | CR191-ND | 2.48 |
| 24 | | 12.0 - 30.0 | 24.0 | 250.0 | .65 | 62.5 | 400 | 滚珠 | Tac | 肋条 | P13431-ND | 77.25 | 66.44 | 57.17 | 5910PL-05W-B59-L50 | CR191-ND | 2.48 |
| 48 | | 25.0 - 60.0 | 35.5 | 290.0 | .89 | 65.4 | 400 | 滚珠 | 锁定转子 | 肋条 | P13432-ND | 77.25 | 66.44 | 57.17 | 5910PL-07W-B79-L00 | CR191-ND | 2.48 |
| 150x172x50 | 12 | 6.0 - 18.0 | 17.28 | 240 | .62 | 58.0 | 300 | 滚珠 | — | 法兰 | P12866-ND | 73.75 | 63.43 | 54.58 | 5920PL-04W-B40-D00 | CR191-ND | 2.48 |
| | 12 | 6.0 - 18.0 | 17.28 | 240.0 | .62 | 58.0 | 300 | 滚珠 | Tac | 法兰 | P13433-ND | 74.38 | 63.97 | 55.04 | 5920PL-04W-B49-D50 | CR191-ND | 2.48 |
| | 24 | 12.0 - 30.0 | 15.84 | 240 | .62 | 58.0 | 300 | 滚珠 | — | 法兰 | P12867-ND | 73.75 | 63.43 | 54.58 | 5920PL-05W-B40-D00 | CR191-ND | 2.48 |
| | 24 | 12.0 - 30.0 | 15.84 | 240.0 | .62 | 58.0 | 300 | 滚珠 | Tac | 法兰 | P13434-ND | 74.38 | 63.97 | 55.04 | 5920PL-05W-B49-D50 | CR191-ND | 2.48 |
| | 48 | 25.0 - 60.0 | 24.48 | 300.0 | .90 | 63.2 | 300 | 滚珠 | Tac | 法兰 | P13435-ND | 74.38 | 63.97 | 55.04 | 5920PL-07W-B79-D50 | CR191-ND | 2.48 |
| | 12 | 6.0 - 18.0 | 17.28 | 240 | .62 | 58.0 | 300 | 滚珠 | — | 法兰 | P12868-ND | 73.75 | 63.43 | 54.58 | 6820PL-04W-B40-D00 | CR196-ND | 3.02 |
| 172x50 | 24 | 12.0 - 30.0 | 15.84 | 240 | .62 | 58.0 | 300 | 滚珠 | — | 法兰 | P12869-ND | 73.75 | 63.43 | 54.58 | 6820PL-05W-B40-D00 | CR196-ND | 3.02 |
| | 48 | 25.0 - 60.0 | 15.84 | 240 | .62 | 58.0 | 300 | 滚珠 | — | 法兰 | P12870-ND | 73.75 | 63.43 | 54.58 | 6820PL-07W-B40-D00 | CR196-ND | 3.02 |

◆符合 RoHS 规范要求

DC 风扇 UDQ 系列

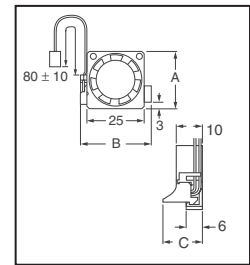
技术规格:

• 工作温度: 0°C ~ 70°C • 工作湿度: <85 Rh% • 工作电压 (VDC): 标称: 5, 范围: 3.1 ~ 5.5 • 预期寿命 (60°C 时的小时数): 30,000

注: 不适用于新产品设计

| 尺寸 (mm) | 60°C 时的电流 (mA) | | | 60°C 时的速度 (r/min) | | | 60°C 时的最大气流 (CFM) | | | 60°C 时的最大气压 (Pa) | | | 在 1M 时的噪音 (dB-A) | Digi-Key 零件编号 | 单价 | | | | | NMB Technologies 零件编号 |
|---------|----------------|----|----|-------------------|-------|------|-------------------|------|----|------------------|-------|-------|------------------|---------------|-------|--------------|----|----|-----|-----------------------|
| | A | B | C | 1 | 5 | 10 | 1 | 5 | 10 | 1 | 5 | 10 | | | 1 | 5 | 10 | 50 | 100 | |
| 25 | 25 | 10 | 40 | 7,800 | 0.040 | 1.41 | 24 | 0.10 | 17 | P11093-ND | 13.75 | 11.83 | 10.18 | 9.13 | 8.25 | UDQFBBM01CP1 | | | | |
| 30 | 30 | 10 | 90 | 8,500 | 0.10 | 3.60 | 35 | 0.14 | 26 | P11085-ND† | 20.00 | 17.20 | 14.80 | 13.28 | 12.00 | UDQFHHB01-P1 | | | | |
| 30 | 30 | 10 | 50 | 6,000 | 0.065 | 2.29 | 17 | 0.07 | 18 | P11094-ND | 13.75 | 11.83 | 10.18 | 9.13 | 8.25 | UDQFHHM01P1 | | | | |

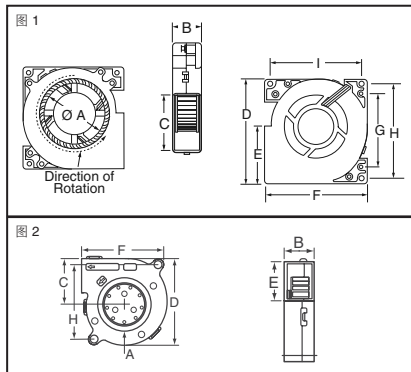
† 滚珠轴承



DC 鼓风机

NMB-MAT DC 鼓风机最适合于在高压情况下下降温。因为风扇叶轮装置于一个坚固的塑料盒中, 鼓风机不会被靠近排气口的物体所产生的背压影响。

技术规格: • 工作温度: -10°C ~ 60°C • 存放温度: -40°C ~ 75°C • 带有水波和球滚珠技术的鼓风机



| 型号 | 尺寸 (mm) | | | | | | | | |
|--------|---------|------|------|-------|------|-------|------|------|----|
| | A | B | C | D | E | F | G | H | I |
| FAL-6F | 65.8 | 28.1 | 55.7 | 111.4 | 60.7 | 107.1 | 76 | 99 | 97 |
| FAL-5F | 50 | 28 | 37 | 76 | 41 | 76 | 47 | 68 | 68 |
| FAL-3F | 33.2 | 20 | 26.8 | 50 | 26.8 | 50 | 29.6 | 43 | 43 |
| BM5115 | 32 | 15 | 27 | 51 | 20 | 51 | — | 43 | — |
| BM5125 | 32 | 25 | 27 | 51 | 20 | 51 | — | 43 | — |
| BM6015 | — | 15 | 32 | 60 | 30 | 60 | — | 23 | — |
| BG0702 | — | 25 | 39.9 | 75.7 | 39.9 | 75.7 | — | 67.1 | — |
| BG0703 | — | 30 | 39.9 | 75.7 | 39.9 | 75.7 | — | 67.1 | — |
| BG0903 | — | 33 | 58 | 93.5 | 53 | 97 | — | 71 | — |
| BG1203 | — | 32 | 55 | 120 | 61 | 120 | — | 105 | 90 |

| 图 | 工作电压 (VDC) | | 输入电流 (mA) | 功率 (W) | 气流 CFM | H ₂ O 静压力 | 噪音 | Digi-Key 零件编号 | 单价 | | | NMB Technologies 零件编号 |
|---|------------|-----------|-----------|--------|--------|----------------------|------|---------------|-------|-------|-------|-----------------------|
| | 标称 | 范围 | | | | | | | 1 | 5 | 10 | |
| 1 | 12 | 7-13.8 | 500 | 6.00 | 22.97 | 0.71 | 45 | P9754-ND | 30.00 | 25.80 | 22.20 | FAL6F12LH |
| | 12 | 7-13.8 | 280 | 3.36 | 18.73 | 0.44 | 40 | P9755-ND | 30.00 | 25.80 | 22.20 | FAL6F12LL |
| | 24 | 14-27.6 | 295 | 7.08 | 23.7 | 0.78 | 45 | P9763-ND | 30.00 | 25.80 | 22.20 | FAL6F24LH |
| | 24 | 14-27.6 | 155 | 3.72 | 18.7 | 0.45 | 40 | P9764-ND | 30.00 | 25.80 | 22.20 | FAL6F24LL |
| 1 | 12 | 7-13.8 | 210 | 2.52 | 10.60 | 0.41 | 35 | P9756-ND | 27.50 | 23.65 | 20.35 | FAL5F12LH |
| | 12 | 7-13.8 | 145 | 1.74 | 8.83 | 0.24 | 29 | P9757-ND | 27.50 | 23.65 | 20.35 | FAL5F12LL |
| | 24 | 14-27.6 | 150 | 3.50 | 9.18 | 0.28 | 40 | P9765-ND | 27.50 | 23.65 | 20.35 | FAL5F24LH |
| | 24 | 14-27.6 | 100 | 2.40 | 7.06 | 0.16 | 37.5 | P9766-ND | 27.50 | 23.65 | 20.35 | FAL5F24LL |
| 1 | 5 | 4.5-6 | 320 | 1.60 | 3.17 | 0.24 | 34 | P9772-ND | 21.25 | 18.28 | 15.73 | FAL3F05LL |
| | 5 | 4.5-6 | 570 | 2.85 | 4.24 | 0.39 | 40 | P9773-ND | 21.25 | 18.28 | 15.73 | FAL3F05LH |
| | 12 | 7-13.8 | 170 | 2.04 | 3.17 | 0.24 | 34 | P9774-ND | 21.25 | 18.28 | 15.73 | FAL3F12LL |
| | 12 | 7-13.8 | 270 | 3.24 | 4.24 | 0.39 | 40 | P9775-ND | 21.25 | 18.28 | 15.73 | FAL3F12LH |
| 2 | 12 | 10.2-13.8 | 120 | 1.44 | 3.5 | 0.48 | 35 | P12901-ND | 12.75 | 10.97 | 9.44 | BM5115-04W-B40-L00 |
| | 12 | 10.2-13.8 | 180 | 2.16 | 3.5 | .80 | 42 | P13437-ND† | 13.38 | 11.51 | 9.90 | BM5115-04W-B59-L00 |
| | 12 | 10.2-13.8 | 130 | 1.56 | 5.3 | .34 | 34 | P12902-ND | 12.75 | 10.97 | 9.44 | BM5125-04W-B40-L00 |
| | 12 | 10.2-13.8 | 240 | 2.88 | 6.7 | .64 | 41 | P12903-ND | 12.75 | 10.97 | 9.44 | BM5125-04W-B50-L00 |
| 2 | 12 | 10.2-13.8 | 240 | 2.88 | 6.7 | .64 | 41 | P13438-ND† | 13.38 | 11.51 | 9.90 | BM5125-04W-B59-L00 |
| | 12 | 9-12.6 | 220 | 2.64 | 4.2 | .68 | 42 | P13439-ND† | 13.65 | 11.74 | 10.11 | BM6015-04 |