

| 图      | 谐振频率 (kHz) | 工作温度范围       | 额定电压    | 声压级 (dB) | 最大电流消耗 (mA) | 工作温度范围 °C | Digi-Key 零件编号  | 单价    |      |      |      | 带卷0   |         | Mallory 零件编号  |
|--------|------------|--------------|---------|----------|-------------|-----------|----------------|-------|------|------|------|-------|---------|---------------|
|        |            |              |         |          |             |           |                | 1     | 10   | 100  | 500  | 数量    | 价格      |               |
| 压电式蜂鸣器 |            |              |         |          |             |           |                |       |      |      |      |       |         |               |
| 9      | 4.000      | 3.0 - 15Vp-p | 5.0Vp-p | 80       | 1.5         | -20 - 70  | 458-1051-ND†   | 3.80  | 2.62 | 2.14 | 1.90 | —     | —       | AST100Q       |
| 2      | 2.800      | 9.0 - 12Vdc  | 12Vdc   | 103      | 50          | -20 - 90  | 458-1056-ND    | 11.32 | 8.61 | 7.38 | 6.65 | —     | —       | MAS800SQ      |
| 10     | 2.700      | 6.0 - 14Vdc  | 6.0Vdc  | 95       | 50          | -20 - 90  | 458-1057-ND    | 12.58 | 9.79 | 8.11 | 7.55 | —     | —       | MAS806Q       |
| 10     | 2.800      | 5.0 - 14Vdc  | 12Vdc   | 95       | 50          | -20 - 90  | 458-1058-ND    | —     | 6.55 | —    | —    | —     | —       | MAS806SQ      |
| 11     | 2.500      | 3.0 - 20Vdc  | 12Vdc   | 95       | 20          | -20 - 60  | 458-1059-ND    | 7.88  | 5.83 | 4.82 | 4.41 | —     | —       | MCP320B2Q     |
| 11     | 2.500      | 3.0 - 24Vdc  | 12Vdc   | 95       | 25          | -20 - 70  | 458-1067-ND    | 8.23  | 5.93 | 4.94 | 4.61 | —     | —       | PK-20A25PQ    |
| 11     | 3.800      | 3.0 - 24Vdc  | 12Vdc   | 95       | 15          | -20 - 70  | 458-1069-ND    | 7.68  | 5.68 | 4.70 | 4.30 | —     | —       | PK-20A38PQ    |
| 12     | 3.150      | 3.0 - 20Vdc  | 12Vdc   | 74       | 20          | -20 - 85  | 458-1060-ND    | 7.23  | 5.35 | 4.43 | 4.05 | —     | —       | MCP320Q       |
| 13     | 3.500      | 3.0 - 24Vdc  | 12Vdc   | 95       | 10          | -20 - 70  | 458-1068-ND    | 8.03  | 5.94 | 4.92 | 4.50 | —     | —       | PK-20A35EWQ   |
| 14     | 3.000      | 3.0 - 24Vdc  | 12Vdc   | 85       | 18          | -20 - 70  | 458-1070-ND    | 8.65  | 6.23 | 5.19 | 4.85 | —     | —       | PK-21A31PQ    |
| 15     | 3.000      | 1.5 - 30Vdc  | 12Vdc   | 80       | 12          | -20 - 70  | 458-1071-ND    | 6.47  | 4.74 | 3.86 | 3.49 | —     | —       | PK-21N30PQ    |
| 15     | 3.000      | 5.0 - 30Vp-p | 5.0Vp-p | 90       | 5           | -20 - 90  | 458-1080-ND    | 4.38  | 3.02 | 2.47 | 2.19 | —     | —       | PT-2130PQ     |
| 16     | 2.500      | 3.0 - 28Vdc  | 12Vdc   | 90       | 8           | -20 - 70  | 458-1072-ND    | 7.38  | 5.46 | 4.52 | 4.13 | —     | —       | PK-27N28PSQ   |
| 16     | 3.500      | 3.0 - 28Vdc  | 12Vdc   | 90       | 15          | -20 - 70  | 458-1073-ND    | 7.38  | 5.46 | 4.52 | 4.13 | —     | —       | PK-27N38PSQ   |
| 16     | 2.500      | 3.0 - 30Vp-p | 5.0Vp-p | 90       | 1.5         | -20 - 70  | 458-1081-ND    | 4.41  | 3.04 | 2.48 | 2.21 | —     | —       | PT-2726PQ     |
| 17     | 2.500      | 5.0 - 15Vdc  | 12Vdc   | 100      | 40          | -20 - 70  | 458-1074-ND    | 10.58 | 8.05 | 6.90 | 6.33 | —     | —       | PS-562Q       |
| 18     | 2.800      | 5.0 - 15Vdc  | 12Vdc   | 100      | 150         | -20 - 70  | 458-1075-ND    | 12.44 | 9.57 | 8.02 | 7.47 | —     | —       | PS-580Q       |
| 19     | 4.100      | 3.0 - 20Vp-p | 5.0Vp-p | 80       | 2           | -20 - 70  | 458-1076-ND    | 5.56  | 4.02 | 3.30 | 2.94 | —     | —       | PT-1240PQ     |
| 20     | 4.000      | 3.0 - 25Vp-p | 5.0Vp-p | 85       | 1.5         | -20 - 100 | 458-1077-ND    | 2.88  | 1.89 | 1.53 | 1.35 | —     | —       | PT-1540PQ     |
| 21     | 4.000      | 3.0 - 30Vp-p | 5.0Vp-p | 90       | 1.5         | -20 - 90  | 458-1078-ND    | 2.63  | 1.79 | 1.38 | 1.22 | —     | —       | PT-2040PQ     |
| 22     | 3.000      | 1.5 - 30Vdc  | 12Vdc   | 80       | 12          | -20 - 90  | 458-1079-ND    | 4.35  | 3.00 | 2.45 | 2.18 | —     | —       | PT-2130FPQ    |
| 23     | 3.500      | 3.0 - 28Vdc  | 12Vdc   | 88       | 10          | -20 - 90  | 458-1083-ND    | 4.38  | 3.02 | 2.47 | 2.19 | —     | —       | PT-2735FPLQ   |
| 24     | 3.500      | 3.0 - 28Vdc  | 12Vdc   | 88       | 10          | -20 - 90  | 458-1084-ND    | 4.55  | 3.14 | 2.56 | 2.28 | —     | —       | PT-2735FPQ    |
| 25     | 3.400      | 3.0 - 28Vdc  | 9.0Vdc  | 105      | 12          | -20 - 100 | 458-1085-ND    | 5.25  | 3.73 | 3.06 | 2.73 | —     | —       | PT-3534FPQ    |
| 26     | 4.100      | 1.0 - 20Vp-p | 5.0Vp-p | 73       | 1.0         | -20 - 70  | 458-1093-1-ND† | 2.82  | 1.85 | 1.50 | 1.32 | 1,000 | 1340.00 | AST1109MLTRQ  |
| 27     | 4.000      | 1.0 - 25Vp-p | 3.0Vp-p | 75       | 5           | -20 - 70  | 458-1094-1-ND† | 2.37  | 1.61 | 1.25 | 1.10 | 1,000 | 1111.00 | AST1240MLTRQ  |
| 28     | 4.000      | 1.0 - 20Vp-p | 5.0Vp-p | 75       | 2           | -30 - 70  | 458-1095-1-ND† | 2.99  | 2.03 | 1.57 | —    | 600   | 685.20  | AST1440MATRQ  |
| 39     | 3.650      | 1.0 - 30Vp-p | 7.0Vp-p | 85       | 5           | -30 - 70  | 458-1096-1-ND† | 2.77  | 1.85 | 1.46 | —    | 300   | 344.10  | AST1575BMATRQ |
| 30     | 4.000      | 1.0 - 25Vp-p | 3.0Vp-p | 75       | 5           | -30 - 70  | 458-1097-1-ND† | 2.54  | 1.72 | 1.33 | 1.17 | 800   | 950.40  | AST1628MATRQ  |
| 31     | 4.000      | 1.0 - 20Vp-p | 5.0Vp-p | 80       | 2.5         | -30 - 70  | 458-1098-1-ND  | 2.42  | 1.56 | 1.20 | —    | 400   | 347.20  | AST1750MATRQ  |
| 32     | 4.000      | 1.0 - 30Vp-p | 9.0Vp-p | 100      | 8.0         | -30 - 70  | 458-1099-1-ND  | 2.55  | 1.69 | —    | —    | —     | —       | AST2311MATRQ  |

† 将 1-ND 改为 2-ND, 即为带卷零件编号

† 458-KIT-ND SMD 蜂鸣器套件, 12 种常用规格, 每种 2 件。可方便地封装在带储存指南的塑料盒中.....60.00

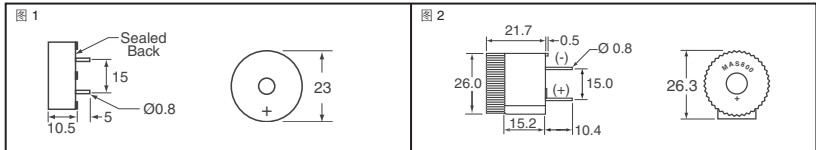
**Sonalert® 音频信号设备**



特点: • 功耗低 • 成本低 • 外形紧凑 • 压电式音质 • 特大声音输出 • PCB 安装

技术规格: • 工作温度: -20°C - 65°C

应用: • 火警 • 预防犯罪报警 • 呼叫蜂鸣器 • 自动 • 时钟 • P.O.S. 设备 • 医疗仪器 • 电子仪器 • 工业设备与安全设备

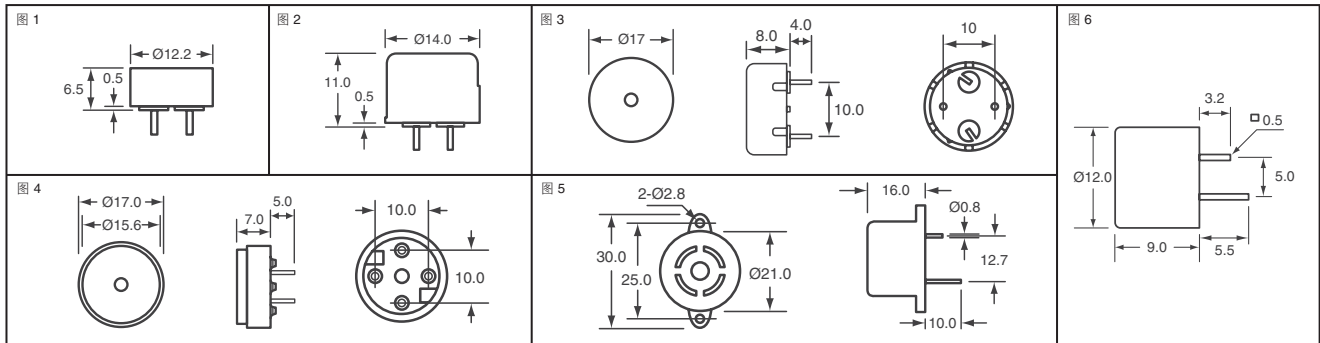


| 图 | 频率 ±400 (Hz)    | 距两英尺时的最小声压级 dB (A) |        | 直流工作电压 (V) | 工作电流 (mA) |        | 每秒脉冲数       | Digi-Key 零件编号 | 单价    |       |       |       | Mallory 零件编号 |
|---|-----------------|--------------------|--------|------------|-----------|--------|-------------|---------------|-------|-------|-------|-------|--------------|
|   |                 | 在最小电压时             | 在最大电压时 |            | 在最小电压时    | 在最大电压时 |             |               | 1     | 10    | 25    | 50    |              |
| 1 | 3850            | 75                 | 86     | 5-16       | 3         | 14     | 连续          | 458-1088-ND   | 8.02  | 7.42  | 6.66  | 6.02  | MSR516NR     |
|   | 3900            | 75                 | 86     | 5-16       | 3         | 12     | .5 - 2 (慢速) | 458-1089-ND   | 8.82  | 8.16  | 7.33  | 6.62  | MSR516NJR    |
|   | 3900            | 75                 | 86     | 5-16       | 3         | 12     | 2 - 10 (快速) | 458-1090-ND   | 8.42  | 7.79  | 6.99  | 6.32  | MSR516NPR    |
|   | 3800 (平均)       | 75                 | 86     | 5-16       | 3         | 12     | 2 - 4 (报警)  | 458-1092-ND   | 14.34 | 13.27 | 11.91 | 10.76 | MSR516XR     |
|   | 3700 (平均)       | 75                 | 86     | 5-16       | 3         | 12     | 5 - 7 (高声)  | 458-1091-ND   | 14.36 | 13.29 | 11.92 | 10.77 | MSR516WR     |
|   | 3400            | 75                 | 86     | 5-16       | 3         | 16     | 连续          | 458-1087-ND   | 5.06  | 4.69  | 4.20  | 3.80  | MSR320R      |
| 2 | 2800 ± 500 (Hz) | 80                 | 93     | 9-12       | —         | 50     | 连续          | 458-1086-ND   | 9.76  | 9.03  | 8.11  | 7.32  | MAS800Q      |

**TDK 声音传感器**



尺寸 (mm)



| 图 | 谐振频率 (kHz) | 工作温度范围     | 额定电压  | 声压级 (dB) | 工作温度范围 °C | Digi-Key 零件编号 | 剪切带单价 |      |      | Digi-Key 零件编号 | 带盒  |        | TDK 零件编号     |
|---|------------|------------|-------|----------|-----------|---------------|-------|------|------|---------------|-----|--------|--------------|
|   |            |            |       |          |           |               | 1     | 10   | 100  |               | 数量  | 价格     |              |
| 1 | 4.0        | 3 - 30Vp-p | 3Vp-p | 70       | -20 - 70  | 445-2525-1-ND | .39   | .36  | .29  | 445-2525-3-ND | 500 | 107.00 | PS1240P02AT  |
| 2 | 2.0        | 5 - 30Vp-p | 5Vp-p | 70       | -20 - 70  | 445-2526-1-ND | .58   | .54  | .43  | 445-2526-3-ND | 350 | 111.65 | PS1420P02AT  |
| 3 | 2.0        | 3 - 30Vp-p | 3Vp-p | 70       | -20 - 70  | 445-2527-ND   | .51   | .47  | .38  | —             | —   | —      | PS1720P02    |
| 4 | 4.0        | 3 - 20Vp-p | 3Vp-p | 75       | -20 - 70  | 445-2528-ND   | .48   | .44  | .35  | —             | —   | —      | PS1740P02    |
| 5 | 3.3        | 4 - 15Vdc  | 12Vdc | 75       | -20 - 60  | 445-2529-ND   | 3.98  | 3.62 | 2.90 | —             | —   | —      | PB2130UP002A |
| 6 | 2.048      | 1 - 4Vp-p  | 3Vp-p | 80       | -40 - 85  | 445-2530-ND   | 1.29  | 1.18 | .94  | —             | —   | —      | SD1209T3-A1  |
|   |            |            |       |          |           |               | 1.30  | 1.19 | .95  | —             | —   | —      | SD1209T5-A1  |

全部产品均以美元计价。 免费电话: 10800-1527031 (China Telecom - 中国电讯) — 10800-8527031 (CNCG - 中国网通)