

最大 ESR (欧)	负载电容	频率 (MHz)	Digi-Key 零件编号	剪切带 单价				Digi-Key 零件编号	带卷价格 1,000	ECS 零件编号
				1	10	100	500			
<i>ECX-32, -20°C ~ 70°C, ±50ppm, 3.2x2.5x0.70mm</i>										
100	20pF	16.000000	XC1137CT-ND	3.57	3.22	2.68	2.15	XC1137TR-ND	1785.00	ECS-160-20-33-TR
100	20pF	18.432000	XC1138CT-ND	3.57	3.22	2.68	2.15	XC1138TR-ND	1785.00	ECS-184-20-33-TR
100	20pF	19.660800	XC1139CT-ND	3.57	3.22	2.68	2.15	XC1139TR-ND	1785.00	ECS-196-20-33-TR
100	20pF	20.000000	XC1140CT-ND	3.57	3.22	2.68	2.15	XC1140TR-ND	1785.00	ECS-200-20-33-TR
100	20pF	24.000000	XC1141CT-ND	3.57	3.22	2.68	2.15	XC1141TR-ND	1785.00	ECS-240-20-33-TR
100	20pF	25.000000	XC1142CT-ND	3.57	3.22	2.68	2.15	XC1142TR-ND	1785.00	ECS-250-20-33-TR
100	20pF	27.000000	XC1143CT-ND	3.57	3.22	2.68	2.15	XC1143TR-ND	1785.00	ECS-270-20-33-TR
50	系列	30.000000	XC1145CT-ND	3.57	3.22	2.68	2.15	XC1145TR-ND	1785.00	ECS-300-S-33-TR
50	20pF	30.000000	XC1144CT-ND	3.57	3.22	2.68	2.15	XC1144TR-ND	1785.00	ECS-300-20-33-TR
50	系列	32.000000	XC1147CT-ND	3.57	3.22	2.68	2.15	XC1147TR-ND	1785.00	ECS-320-S-33-TR
50	20pF	32.000000	XC1146CT-ND	3.57	3.22	2.68	2.15	XC1146TR-ND	1785.00	ECS-320-20-33-TR
50	系列	36.000000	XC1149CT-ND	3.57	3.22	2.68	2.15	XC1149TR-ND	1785.00	ECS-360-S-33-TR
50	20pF	36.000000	XC1148CT-ND	3.57	3.22	2.68	2.15	XC1148TR-ND	1785.00	ECS-360-20-33-TR
50	系列	40.000000	XC1151CT-ND	3.57	3.22	2.68	2.15	XC1151TR-ND	1785.00	ECS-400-S-33-TR
50	20pF	40.000000	XC1150CT-ND	3.57	3.22	2.68	2.15	XC1150TR-ND	1785.00	ECS-400-20-33-TR
50	系列	48.000000	XC1153CT-ND	3.57	3.22	2.68	2.15	XC1153TR-ND	1785.00	ECS-480-S-33-TR
50	20pF	48.000000	XC1152CT-ND	3.57	3.22	2.68	2.15	XC1152TR-ND	1785.00	ECS-480-20-33-TR
<i>ECX-2236 用于 Bluetooth™ 和 Zigbee 应用, ±10±10, -20°C ~ 70°C, 2.5x2.0x0.55mm</i>										
100	8pF	16.000000	XC1552CT-ND	3.45	3.11	2.59	2.07	XC1552TR-ND	1725.00	ECS-160-8-36CKM
100	8pF	18.432000	XC1553CT-ND	3.45	3.11	2.59	2.07	XC1553TR-ND	1725.00	ECS-184-8-36CKM
100	8pF	19.200000	XC1554CT-ND	3.45	3.11	2.59	2.07	XC1554TR-ND	1725.00	ECS-192-8-36CKM
100	8pF	19.660800	XC1555CT-ND	3.45	3.11	2.59	2.07	XC1555TR-ND	1725.00	ECS-196-8-36CKM
100	8pF	20.000000	XC1556CT-ND	3.45	3.11	2.59	2.07	XC1556TR-ND	1725.00	ECS-200-8-36CKM
100	8pF	24.000000	XC1557CT-ND	3.45	3.11	2.59	2.07	XC1557TR-ND	1725.00	ECS-240-8-36CKM
100	8pF	24.576000	XC1558CT-ND	3.45	3.11	2.59	2.07	XC1558TR-ND	1725.00	ECS-245.7-8-36CKM
100	8pF	25.000000	XC1559CT-ND	3.45	3.11	2.59	2.07	XC1559TR-ND	1725.00	ECS-250-8-36CKM
100	8pF	26.000000	XC1560CT-ND	3.45	3.11	2.59	2.07	XC1560TR-ND	1725.00	ECS-260-8-36CKM
100	8pF	27.000000	XC1561CT-ND	3.45	3.11	2.59	2.07	XC1561TR-ND	1725.00	ECS-270-8-36CKM
100	8pF	30.000000	XC1562CT-ND	3.45	3.11	2.59	2.07	XC1562TR-ND	1725.00	ECS-300-8-36CKM
100	8pF	32.000000	XC1563CT-ND	3.45	3.11	2.59	2.07	XC1563TR-ND	1725.00	ECS-320-8-36CKM
100	8pF	36.000000	XC1564CT-ND	3.45	3.11	2.59	2.07	XC1564TR-ND	1725.00	ECS-360-8-36CKM
100	8pF	40.000000	XC1565CT-ND	3.45	3.11	2.59	2.07	XC1565TR-ND	1725.00	ECS-400-8-36CKM
100	8pF	48.000000	XC1566CT-ND	3.45	3.11	2.59	2.07	XC1566TR-ND	1725.00	ECS-480-8-36CKM
100	8pF	80.000000	XC1567CT-ND	5.37	4.84	4.03	3.23	XC1567TR-ND	2685.00	ECS-800-8-36CKM
<i>ECX-1637 用于 Bluetooth™ 和 Zigbee 应用, ±10±10, -20°C ~ 70°C, 2.0x1.6x0.45mm</i>										
100	8pF	24.000000	XC1543CT-ND	3.87	3.49	2.91	2.33	XC1543TR-ND	1935.00	ECS-240-8-37CKM
100	8pF	26.000000	XC1545CT-ND	3.87	3.49	2.91	2.33	XC1545TR-ND	1935.00	ECS-260-8-37CKM
100	8pF	27.000000	XC1546CT-ND	3.87	3.49	2.91	2.33	XC1546TR-ND	1935.00	ECS-270-8-37CKM
100	8pF	32.000000	XC1547CT-ND	3.87	3.49	2.91	2.33	XC1547TR-ND	1935.00	ECS-320-8-37CKM
100	8pF	40.000000	XC1549CT-ND	3.87	3.49	2.91	2.33	XC1549TR-ND	1935.00	ECS-400-8-37CKM

D

### 32.768kHz 晶体和振荡器

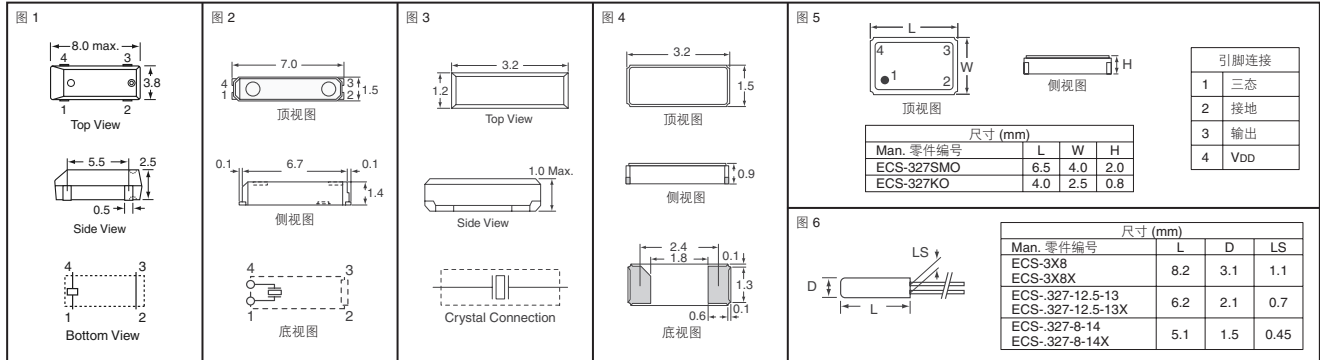


图	最大 ESR (Ω)	负载电容 (pF)	Digi-Key 零件编号	剪切带 单价				Digi-Key 零件编号	带卷		ECS 零件编号
				1	10	100	数量		价格		
<i>表面贴装晶体</i>											
1	50k	6.0	XC746CT-ND	1.08	.90	.72	XC746TR-ND	3,000	560.00/M	ECS-327-6-17-TR	
	50k	6.0	XC1307CT-ND◆	1.08	.90	.72	XC1307TR-ND◆	3,000	560.00/M	ECS-327-6-17X-TR	
	50k	12.5	XC488CT-ND	1.08	.90	.72	XC488TR-ND	3,000	560.00/M	ECS-327-12.5-17-TR	
	50k	12.5	XC1195CT-ND◆	1.08	.90	.72	XC1195TR-ND◆	3,000	560.00/M	ECS-327-12.5-17X-TR	
	2	65k	12.5	XC1616CT-ND◆	.90	.81	.68	XC1616TR-ND◆	3,000	450.00/M	ECS-327-12.5-38
3	50k	12.5	XC1085CT-ND◆	4.47	4.03	3.36	—	—	—	ECS-327-12.5-32-TR	
4	70k	12.5	XC1617CT-ND◆	1.26	1.14	.95	XC1617TR-ND◆	3,000	630.00/M	ECS-327-12.5-34B	
<i>表面贴装振荡器 - 符合 RoHS 规范要求</i>											
5	—	—	XC777CT-ND	6.74	5.52	4.90	XC777TR-ND	2,000	3430.00/M	ECS-327SMO-TR	
	—	—	XC1489CT-ND	7.17	6.46	5.38	XC1489TR-ND	1,000	3585.00	ECS-327KO-TR	
<i>圆柱型晶体</i>											
6	35k	12.5	X801-ND†	.30	.27	.22	—	—	—	ECS-3X8	
	35k	12.5	X1123-ND†◆	.30	.27	.22	—	—	—	ECS-3X8X	
	35k	12.5	X802-ND†	.30	.27	.22	—	—	—	ECS-327-12.5-13	
	35k	12.5	X1124-ND†◆	.30	.27	.22	—	—	—	ECS-327-12.5-13X	
	40k	8.0	X803-ND†	2.63	2.37	1.89	—	—	—	ECS-327-8-14	
	40k	8.0	X1125-ND†◆	.63	.57	.45	—	—	—	ECS-327-8-14X	

◆ 符合 RoHS 规范要求 † 散装

全部产品均以美元计价。 免费电话: 10800-1527031 (China Telecom - 中国电讯) — 10800-8527031 (CNCG - 中国网通)