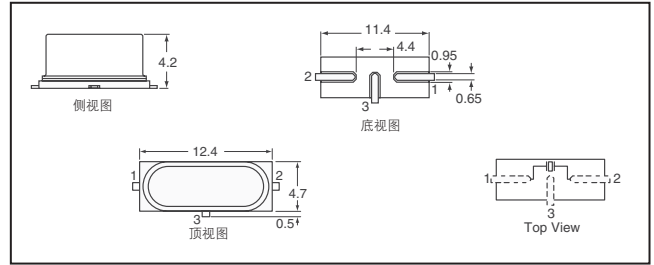


图	频率 (MHz)	Digi-Key 零件编号	单价				ECS 零件编号
			1	10	100	500	
1B	18.432000	XC250-ND	2.13	1.92	1.53	1.36	ECS-2100A-184
	19.660800	XC251-ND	2.13	1.92	1.53	1.36	ECS-2100A-196.6
	20.000000	X220-ND	2.13	1.92	1.53	1.36	ECS-2100A-200
	24.000000	X221-ND	2.13	1.92	1.53	1.36	ECS-2100A-240
	25.000000	XC252-ND	2.13	1.92	1.53	1.36	ECS-2100A-250
	25.175000	X222-ND	2.13	1.92	1.53	1.36	ECS-2100A-251.7
	28.322000	X223-ND	2.13	1.92	1.53	1.36	ECS-2100A-283.2
	30.000000	XC253-ND	2.13	1.92	1.53	1.36	ECS-2100A-300
	32.000000	XC254-ND	2.13	1.92	1.53	1.36	ECS-2100A-320
	32.514000	X224-ND	2.13	1.92	1.53	1.36	ECS-2100A-325.1
	35.000000	XC255-ND	2.13	1.92	1.53	1.36	ECS-2100A-350
	40.000000	X225-ND	2.13	1.92	1.53	1.36	ECS-2100A-400
	48.000000	XC256-ND	2.13	1.92	1.53	1.36	ECS-2100A-480
	50.000000	X226-ND	2.13	1.92	1.53	1.36	ECS-2100A-500
	64.000000	XC257-ND	2.13	1.92	1.53	1.36	ECS-2100A-640
	66.666000	XC258-ND	2.13	1.92	1.53	1.36	ECS-2100A-666
ECS-2100AX, 半尺寸振荡器, 5.0V, 0°C ~ 70°C, ±100ppm - 符合 RoHS 规范要求							
1B	3.686400	XC1158-ND	2.13	1.92	1.53	1.36	ECS-2100AX-036
	4.000000	X960-ND	2.13	1.92	1.53	1.36	ECS-2100AX-040
	4.915200	XC1159-ND	2.13	1.92	1.53	1.36	ECS-2100AX-049
	7.372800	X961-ND	2.13	1.92	1.53	1.36	ECS-2100AX-073.7
	8.000000	X962-ND	2.13	1.92	1.53	1.36	ECS-2100AX-080
	9.216000	XC1160-ND	2.13	1.92	1.53	1.36	ECS-2100AX-092.1
	9.830400	XC1161-ND	2.13	1.92	1.53	1.36	ECS-2100AX-098.3
	10.000000	XC1162-ND	2.13	1.92	1.53	1.36	ECS-2100AX-100
	11.059200	XC1163-ND	2.13	1.92	1.53	1.36	ECS-2100AX-110.5
	12.000000	XC1164-ND	2.13	1.92	1.53	1.36	ECS-2100AX-120
	14.745600	XC1165-ND	2.13	1.92	1.53	1.36	ECS-2100AX-147.4
	16.000000	X963-ND	2.13	1.92	1.53	1.36	ECS-2100AX-160
	18.432000	XC1166-ND	2.13	1.92	1.53	1.36	ECS-2100AX-184
	19.660800	XC1167-ND	2.13	1.92	1.53	1.36	ECS-2100AX-196.6
	20.000000	X964-ND	2.13	1.92	1.53	1.36	ECS-2100AX-200
	28.322000	X965-ND	2.13	1.92	1.53	1.36	ECS-2100AX-283.2
30.000000	XC1168-ND	2.13	1.92	1.53	1.36	ECS-2100AX-300	
40.000000	X966-ND	2.13	1.92	1.53	1.36	ECS-2100AX-400	
48.000000	XC1169-ND	2.13	1.92	1.53	1.36	ECS-2100AX-480	
50.000000	X967-ND	2.13	1.92	1.53	1.36	ECS-2100AX-500	
ECS-100A, 全尺寸振荡器, 5.0V, 0°C ~ 70°C, ±100ppm							
2	1.000000	X101-ND	1.88	1.69	1.35	1.20	ECS-100A-010
	1.228800	X102-ND	1.88	1.69	1.35	1.20	ECS-100A-012.2
	1.843200	X103-ND	1.88	1.69	1.35	1.20	ECS-100A-018
	2.000000	X104-ND	1.88	1.69	1.35	1.20	ECS-100A-020
	2.457600	X105-ND	1.88	1.69	1.35	1.20	ECS-100A-024
	3.579545	XC227-ND	1.88	1.69	1.35	1.20	ECS-100A-035
	3.686400	X106-ND	1.88	1.69	1.35	1.20	ECS-100A-036
	4.000000	X107-ND	1.88	1.69	1.35	1.20	ECS-100A-040
	4.915200	X108-ND	1.88	1.69	1.35	1.20	ECS-100A-049
	5.000000	X109-ND	1.88	1.69	1.35	1.20	ECS-100A-050
	5.068800	X110-ND	1.88	1.69	1.35	1.20	ECS-100A-051
	6.000000	X111-ND	1.88	1.69	1.35	1.20	ECS-100A-060
	6.144000	X122-ND	1.88	1.69	1.35	1.20	ECS-100A-061
	7.372800	X123-ND	1.88	1.69	1.35	1.20	ECS-100A-073
	8.000000	X112-ND	1.88	1.69	1.35	1.20	ECS-100A-080
	9.216000	X113-ND	1.88	1.69	1.35	1.20	ECS-100A-092.1
9.830400	X124-ND	1.88	1.69	1.35	1.20	ECS-100A-098.3	
10.000000	X114-ND	1.88	1.69	1.35	1.20	ECS-100A-100	
11.059200	X125-ND	1.88	1.69	1.35	1.20	ECS-100A-110.5	
12.000000	X126-ND	1.88	1.69	1.35	1.20	ECS-100A-120	
14.318180	X115-ND	1.88	1.69	1.35	1.20	ECS-100A-143	
14.745600	X127-ND	1.88	1.69	1.35	1.20	ECS-100A-147.4	
16.000000	X116-ND	1.88	1.69	1.35	1.20	ECS-100A-160	
16.257000	X128-ND	1.88	1.69	1.35	1.20	ECS-100A-162.5	
18.000000	X117-ND	1.88	1.69	1.35	1.20	ECS-100A-180	
18.432000	X118-ND	1.88	1.69	1.35	1.20	ECS-100A-184	
19.660800	XC314-ND	1.88	1.69	1.35	1.20	ECS-100A-196.6	
20.000000	X119-ND	1.88	1.69	1.35	1.20	ECS-100A-200	
24.000000	X129-ND	1.88	1.69	1.35	1.20	ECS-100A-240	
25.000000	XC315-ND	1.88	1.69	1.35	1.20	ECS-100A-250	
25.175000	X130-ND	1.88	1.69	1.35	1.20	ECS-100A-251.7	
28.322000	X131-ND	1.88	1.69	1.35	1.20	ECS-100A-283.2	
30.000000	XC316-ND	1.88	1.69	1.35	1.20	ECS-100A-300	
32.000000	X132-ND	1.88	1.69	1.35	1.20	ECS-100A-320	
32.514000	X133-ND	1.88	1.69	1.35	1.20	ECS-100A-325.1	
35.000000	X134-ND	1.88	1.69	1.35	1.20	ECS-100A-350	
40.000000	X120-ND	1.88	1.69	1.35	1.20	ECS-100A-400	
48.000000	X135-ND	1.88	1.69	1.35	1.20	ECS-100A-480	
50.000000	X121-ND	1.88	1.69	1.35	1.20	ECS-100A-500	
64.000000	X136-ND	1.88	1.69	1.35	1.20	ECS-100A-640	
66.666000	XC228-ND	1.88	1.69	1.35	1.20	ECS-100A-666	
ECS-100AX, 全尺寸振荡器, 5.0V, 0°C ~ 70°C, ±100ppm - 符合 RoHS 规范要求							
2	1.000000	X937-ND	1.88	1.69	1.35	1.20	ECS-100AX-010
	1.228800	X938-ND	1.88	1.69	1.35	1.20	ECS-100AX-012.2
	1.843200	X939-ND	1.88	1.69	1.35	1.20	ECS-100AX-018
	2.000000	X940-ND	1.88	1.69	1.35	1.20	ECS-100AX-020
	3.579545	XC1154-ND	1.88	1.69	1.35	1.20	ECS-100AX-035
	3.686400	X941-ND	1.88	1.69	1.35	1.20	ECS-100AX-036
	4.000000	X942-ND	1.88	1.69	1.35	1.20	ECS-100AX-040
	4.915200	X943-ND	1.88	1.69	1.35	1.20	ECS-100AX-049
	5.000000	X944-ND	1.88	1.69	1.35	1.20	ECS-100AX-050
	6.144000	X952-ND	1.88	1.69	1.35	1.20	ECS-100AX-061
	7.372800	X953-ND	1.88	1.69	1.35	1.20	ECS-100AX-073
	8.000000	X944-ND	1.88	1.69	1.35	1.20	ECS-100AX-080
	9.830400	X954-ND	1.88	1.69	1.35	1.20	ECS-100AX-098.3
	10.000000	X945-ND	1.88	1.69	1.35	1.20	ECS-100AX-100
	11.059200	X955-ND	1.88	1.69	1.35	1.20	ECS-100AX-110.5
	14.318180	X946-ND	1.88	1.69	1.35	1.20	ECS-100AX-143
14.745600	X956-ND	1.88	1.69	1.35	1.20	ECS-100AX-147.4	

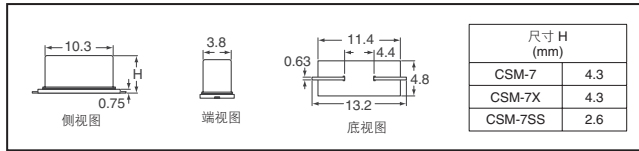
图	频率 (MHz)	Digi-Key 零件编号	单价				ECS 零件编号	
			1	10	100	500		
2	16.000000	X947-ND	1.88	1.69	1.35	1.20	ECS-100AX-160	
	18.432000	X948-ND	1.88	1.69	1.35	1.20	ECS-100AX-184	
	19.660800	XC1155-ND	1.88	1.69	1.35	1.20	ECS-100AX-196.6	
	20.000000	X949-ND	1.88	1.69	1.35	1.20	ECS-100AX-200	
	25.000000	XC1156-ND	1.88	1.69	1.35	1.20	ECS-100AX-250	
	30.000000	XC1157-ND	1.88	1.69	1.35	1.20	ECS-100AX-300	
	32.000000	X957-ND	1.88	1.69	1.35	1.20	ECS-100AX-320	
	40.000000	X950-ND	1.88	1.69	1.35	1.20	ECS-100AX-400	
	48.000000	X958-ND	1.88	1.69	1.35	1.20	ECS-100AX-480	
	50.000000	X951-ND	1.88	1.69	1.35	1.20	ECS-100AX-500	
	64.000000	X959-ND	1.88	1.69	1.35	1.20	ECS-100AX-640	
	ECS-300C, 双输出振荡器, 5.0V, -10°C ~ 70°C, ±100ppm							
	3	12.000000	XC301-ND	5.35	4.46	3.57	2.88	ECS-300C-120
		12.288000	XC302-ND	5.35	4.46	3.57	2.88	ECS-300C-122.8
		12.800000	XC303-ND	5.35	4.46	3.57	2.88	ECS-300C-128
		14.318180	XC304-ND	5.35	4.46	3.57	2.88	ECS-300C-143
14.745600		XC305-ND	5.35	4.46	3.57	2.88	ECS-300C-147.4	
15.974400		XC306-ND	5.35	4.46	3.57	2.88	ECS-300C-159.7	
16.000000		XC307-ND	5.35	4.46	3.57	2.88	ECS-300C-160	
16.384000		XC308-ND	5.35	4.46	3.57	2.88	ECS-300C-163.8	
17.734476		XC309-ND	5.35	4.46	3.57	2.88	ECS-300C-177.3	
18.432000		XC310-ND	5.35	4.46	3.57	2.88	ECS-300C-184	
19.660800		XC311-ND	5.35	4.46	3.57	2.88	ECS-300C-196.6	
20.000000		XC312-ND	5.35	4.46	3.57	2.88	ECS-300C-200	
24.000000		XC313-ND	5.35	4.46	3.57	2.88	ECS-300C-240	
ECS-300CX, 双输出振荡器, 5.0V, -10°C ~ 70°C, ±100ppm - 符合 RoHS 规范要求								
3		12.000000	XC1170-ND	5.35	4.46	3.57	2.88	ECS-300CX-120
		12.800000	XC1171-ND	5.35	4.46	3.57	2.88	ECS-300CX-128
	14.318180	XC1172-ND	5.35	4.46	3.57	2.88	ECS-300CX-143	
	16.000000	XC1173-ND	5.35	4.46	3.57	2.88	ECS-300CX-160	
	16.384000	XC1174-ND	5.35	4.46	3.57	2.88	ECS-300CX-163.8	
	18.432000	XC1175-ND	5.35	4.46	3.57	2.88	ECS-300CX-184	
	20.000000	XC1176-ND	5.35	4.46	3.57	2.88	ECS-300CX-200	
	24.000000	XC1177-ND	5.35	4.46	3.57	2.88	ECS-300CX-240	

A463-ND Aries Electronics Inc. 半尺寸 4 引脚振荡器插口..... 58/1 12/08/25 39.12/100
 A462-ND Aries Electronics Inc. 全尺寸 4 引脚振荡器插口..... 58/1 12/08/25 39.12/100

石英晶体
CSM-7X-3L 系列



CSM-7 系列, SMD, 小尺寸



频率 (MHz)	负载电容	Digi-Key 零件编号	1	10	100	带卷† 价格 1,000	ECS 零件编号
CSM-7-DN, 工业温度范围, -40°C ~ 85°C							
3.579545	17pF	XC730CT-ND	1.05	.88	.71	526.50	ECS-35-17-5PDN-TR
3.686400	20pF	XC731CT-ND	1.05	.88	.71	526.50	ECS-36-20-5PDN-TR
4.000000	20pF	XC732CT-ND	1.05	.88	.71	526.50	ECS-40-20-5PDN-TR
6.000000	32pF	XC733CT-ND	1.05	.88	.71	526.50	ECS-60-32-5PDN-TR
7.372800	20pF	XC734CT-ND	1.05	.88	.71	526.50	ECS-73-20-5PDN-TR
8.000000	18pF	XC735CT-ND	1.05	.88	.71	526.50	ECS-80-18-5PDN-TR
12.000000	20pF	XC736CT-ND	1.05	.88	.71	526.50	ECS-120-20-5PDN-TR
14.318180	20pF	XC737CT-ND	1.05	.88	.71	526.50	ECS-143-20-5PDN-TR
16.000000	20pF	XC738CT-ND	1.05	.88	.71	526.50	ECS-160-20-5PDN-TR
18.432000	20pF	XC739CT-ND	1.05	.88	.71	526.50	ECS-184-20-5PDN-TR
19.660800	20pF	XC740CT-ND	1.05	.88	.71	526.50	ECS-196-20-5PDN-TR
20.000000	20pF	XC741CT-ND	1.05	.88	.71	526.50	ECS-200-20-5PDN-TR
24.000000	20pF	XC742CT-ND	1.05	.88	.71	526.50	ECS-240-20-5PDN-TR
CSM-7X-DN, 工业温度范围, -40°C ~ 85°C - 符合 RoHS 规范要求							
3.579545	17pF	XC1292CT-ND	1.05	.88	.71	527.00	ECS-35-17-5PXDN-TR
3.686400	20pF	XC1293CT-ND	1.05	.88	.71	527.00	ECS-36-20-5PXDN-TR
4.000000	20pF	XC1294CT-ND	1.05	.88	.71	527.00	ECS-40-20-5PXDN-TR
6.000000	32pF	XC1295CT-ND	1.05	.88	.71	527.00	ECS-60-32-5PXDN-TR
7.372800	20pF	XC1296CT-ND	1.05	.88	.71	527.00	ECS-73-20-5PXDN-TR
8.000000	18pF	XC1297CT-ND	1.05	.88	.71	527.00	ECS-80-18-5PXDN-TR
12.000000	20pF	XC1298CT-ND	1.05	.88	.71	527.00	ECS-120-20-5PXDN-TR
16.000000	20pF	XC1299CT-ND	1.05	.88	.71	527.00	ECS-160-20-5PXDN-TR
18.432000	20pF	XC1300CT-ND	1.05	.88	.71	527.00	ECS-184-20-5PXDN-TR
19.660800	20pF	XC1301CT-ND	1.05	.88	.71	527.00	ECS-196-20-5PXDN-TR
20.000000	20pF	XC1302CT-ND	1.05	.88	.71	527.00	ECS-200-20-5PXDN-TR
24.000000	20pF	XC1303CT-ND	1.05	.88	.71	527.00	ECS-240-20-5PXDN-TR
CSM-7X-DU, 车用温度, -55°C ~ 125°C - 符合 RoHS 规范要求							
3.579545	18pF	XC1522CT-ND	1.17	1.06	.88	585.00	ECS-35-18-5PXDU-TR
3.686400	20pF	XC1523CT-ND	1.17	1.06	.88	585.00	ECS-36-20-5PXDU-TR
4.000000	20pF	XC1524CT-ND	1.17	1.06	.88	585.00	ECS-40-20-5PXDU-TR
6.000000	20pF	XC1525CT-ND	1.17	1.06	.88	585.00	ECS-60-20-5PXDU-TR
8.000000	20pF	XC1526CT-ND	1.17	1.06	.88	585.00	ECS-80-20-5PXDU-TR
9.830400	20pF	XC1527CT-ND	1.17	1.06	.88	585.00	ECS-98.3-20-5PXDU-TR
10.000000	20pF	XC1528CT-ND	1.17	1.06	.88	585.00	ECS-100-20-5PXDU-TR
11.059200	20pF	XC1529CT-ND	1.17	1.06	.88	585.00	ECS-110.5-20-5PXDU-TR
12.000000	18pF	XC1530CT-ND	1.17	1.06	.88	585.00	ECS-120-18-5PXDU-TR
12.000000	32pF	XC1531CT-ND	1.17	1.06	.88	585.00	ECS-120-32-5PXDU-TR
12.288000	20pF	XC1532CT-ND	1.17	1.06	.88	585.00	ECS-122.8-20-5PXDU-TR
14.318180	20pF	XC1533CT-ND	1.17	1.06	.88	585.00	ECS-143-20-5PXDU-TR
14.745600	20pF	XC1534CT-ND	1.17	1.06	.88	585.00	ECS-147.4-20-5PXDU-TR
16.000000	20pF	XC1535CT-ND	1.17	1.06	.88	585.00	ECS-160-20-5PXDU-TR
18.432000	20pF	XC1536CT-ND	1.17	1.06	.88	585.00	ECS-184-20-5PXDU-TR
20.000000	20pF	XC1537CT-ND	1.17	1.06	.88	585.00	ECS-200-20-5PXDU-TR
24.000000	20pF	XC1538CT-ND	1.17	1.06	.88	585.00	ECS-240-20-5PXDU-TR
24.576000	20pF	XC1539CT-ND	1.17	1.06	.88	585.00	ECS-245.7-20-5PXDU-TR
25.000000	20pF	XC1540CT-ND	1.17	1.06	.88	585.00	ECS-250-20-5PXDU-F-TR
27.000000	20pF	XC1541CT-ND	1.17	1.06	.88	585.00	ECS-270-20-5PXDU-F-TR
CSM-7, -10°C ~ 70°C							
3.579545	系列	XC663CT-ND	.73	.61	.49	405.00	ECS-35-S-5P-TR
3.579545	17pF	XC560CT-ND	.73	.61	.49	405.00	ECS-35-17-S-5P-TR
3.686400	系列	XC561CT-ND	.73	.61	.49	405.00	ECS-36-S-5P-TR
3.686400	20pF	XC562CT-ND	.73	.61	.49	405.00	ECS-36-20-S-5P-TR
4.000000	系列	XC563CT-ND	.73	.61	.49	405.00	ECS-40-S-5P-TR
4.000000	20pF	XC564CT-ND	.73	.61	.49	405.00	ECS-40-20-S-5P-TR
4.032000	系列	XC665CT-ND	.73	.61	.49	405.00	ECS-40.3-S-5P-TR
4.032000	20pF	XC664CT-ND	.73	.61	.49	405.00	ECS-40.3-20-S-5P-TR
4.096000	20pF	XC666CT-ND	.73	.61	.49	405.00	ECS-41-20-S-5P-TR
4.194304	12pF	XC667CT-ND	.73	.61	.49	405.00	ECS-42-12-S-5P-TR
4.194304	16pF	XC668CT-ND	.73	.61	.49	405.00	ECS-42-16-S-5P-TR
4.433618	20pF	XC669CT-ND	.73	.61	.49	405.00	ECS-44-20-S-5P-TR
4.915200	系列	XC565CT-ND	.73	.61	.49	405.00	ECS-49-S-5P-TR
4.915200	20pF	XC566CT-ND	.73	.61	.49	405.00	ECS-49-20-S-5P-TR
5.000000	系列	XC670CT-ND	.73	.61	.49	405.00	ECS-50-S-5P-TR
5.000000	20pF	XC671CT-ND	.73	.61	.49	405.00	ECS-50-20-S-5P-TR
5.068800	系列	XC672CT-ND	.73	.61	.49	405.00	ECS-51-S-5P-TR
5.068800	20pF	XC673CT-ND	.73	.61	.49	405.00	ECS-51-20-S-5P-TR
5.185000	系列	XC674CT-ND	.73	.61	.49	405.00	ECS-52-S-5P-TR
5.185000	32pF	XC675CT-ND	.73	.61	.49	405.00	ECS-52-32-S-5P-TR

频率 (MHz)	负载电容	Digi-Key 零件编号	剪切带 单价			带卷† 价格 1,000	ECS 零件编号
			1	10	100		
5.990400	系列	XC676CT-ND	.73	.61	.49	405.00	ECS-59-S-5P-TR
5.990400	20pF	XC677CT-ND	.73	.61	.49	405.00	ECS-59.9-20-S-5P-TR
6.000000	系列	XC678CT-ND	.73	.61	.49	405.00	ECS-60-S-5P-TR
6.000000	32pF	XC679CT-ND	.73	.61	.49	405.00	ECS-60-32-S-5P-TR
6.144000	32pF	XC567CT-ND	.73	.61	.49	405.00	ECS-61-32-S-5P-TR
7.372800	系列	XC568CT-ND	.73	.61	.49	405.00	ECS-73-S-5P-TR
7.372800	20pF	XC680CT-ND	.73	.61	.49	405.00	ECS-73-20-S-5P-TR
8.000000	系列	XC569CT-ND	.73	.61	.49	405.00	ECS-80-S-5P-TR
8.000000	18pF	XC681CT-ND	.73	.61	.49	405.00	ECS-80-18-S-5P-TR
8.000000	32pF	XC682CT-ND	.73	.61	.49	405.00	ECS-80-32-S-5P-TR
9.216000	系列	XC683CT-ND	.73	.61	.49	405.00	ECS-92.1-S-5P-TR
9.216000	20pF	XC684CT-ND	.73	.61	.49	405.00	ECS-92.1-20-S-5P-TR
9.830400	系列	XC570CT-ND	.73	.61	.49	405.00	ECS-98.3-S-5P-TR
9.830400	20pF	XC571CT-ND	.73	.61	.49	405.00	ECS-98.3-20-S-5P-TR
10.000000	系列	XC572CT-ND	.73	.61	.49	405.00	ECS-100-S-5P-TR
10.000000	18pF	XC716CT-ND	.73	.61	.49	405.00	ECS-100-18-S-5P-TR
11.000000	系列	XC685CT-ND	.73	.61	.49	405.00	ECS-110-S-5P-TR
11.059200	系列	XC573CT-ND	.73	.61	.49	405.00	ECS-110.5-S-5P-TR
11.059200	20pF	XC574CT-ND	.73	.61	.49	405.00	ECS-110.5-20-S-5P-TR
11.059200	32pF	XC686CT-ND	.73	.61	.49	405.00	ECS-110.5-32-S-5P-TR
12.000000	系列	XC575CT-ND	.73	.61	.49	405.00	ECS-120-S-5P-TR
12.000000	18pF	XC717CT-ND	.73	.61	.49	405.00	ECS-120-18-S-5P-TR
12.000000	32pF	XC687CT-ND	.73	.61	.49	405.00	ECS-120-32-S-5P-TR
12.000393	18pF	XC688CT-ND	.73	.61	.49	405.00	ECS-120.003-18-S-5P-TR
12.288000	系列	XC689CT-ND	.73	.61	.49	405.00	ECS-122.8-S-5P-TR
12.288000	20pF	XC690CT-ND	.73	.61	.49	405.00	ECS-122.8-20-S-5P-TR
14.318180	系列	XC576CT-ND	.73	.61	.49	405.00	ECS-143-S-5P-TR
14.318180	20pF	XC718CT-ND	.73	.61	.49	405.00	ECS-143.20-5P-TR
14.745600	系列	XC691CT-ND	.73	.61	.49	405.00	ECS-147.4-S-5P-TR
14.745600	20pF	XC692CT-ND	.73	.61	.49	405.00	ECS-147.4-20-S-5P-TR
15.000000	系列	XC693CT-ND	.73	.61	.49	405.00	ECS-150-S-5P-TR
16.000000	系列	XC577CT-ND	.73	.61	.49	405.00	ECS-160-S-5P-TR
16.000000	20pF	XC694CT-ND	.73	.61	.49	405.00	ECS-160-20-S-5P-TR
16.000312	18pF	XC695CT-ND	.73	.61	.49	405.00	ECS-160.003-18-S-5P-TR
16.257000	系列	XC697CT-ND	.73	.61	.49	405.00	ECS-162.5-S-5P-TR
16.257000	20pF	XC696CT-ND	.73	.61	.49	405.00	ECS-162.5-20-S-5P-TR
18.000000	系列	XC698CT-ND	.73	.61	.49	405.00	ECS-180-S-5P-TR
18.432000	系列	XC578CT-ND	.73	.61	.49	405.00	ECS-184-S-5P-TR
18.432000	18pF	XC699CT-ND	.73	.61	.49	405.00	ECS-184-18-S-5P-TR
18.432000	20pF	XC700CT-ND	.73	.61	.49	405.00	ECS-184-20-S-5P-TR
19.660800	系列	XC579CT-ND	.73	.61	.49	405.00	ECS-196.6-S-5P-TR
19.660800	20pF	XC701CT-ND	.73	.61	.49	405.00	ECS-196.6-20-S-5P-TR
20.000000	系列	XC580CT-ND	.73	.61	.49	405.00	ECS-200-S-5P-TR
20.000000	16pF	XC719CT-ND	.73	.61	.49	405.00	ECS-200-16-S-5P-TR
20.000000	20pF	XC581CT-ND	.73	.61	.49	405.00	ECS-200-20-S-5P-TR
20.480000	20pF	XC743CT-ND	.73	.61	.49	405.00	ECS-204.8-20-S-5P-TR
24.000000	16pF	XC583CT-ND	.73	.61	.49	405.00	ECS-240-16-S-5P-TR
24.000000	20pF	XC582CT-ND	.73	.61	.49	405.00	ECS-240-20-S-5P-TR
24.000140	18pF	XC702CT-ND	.73	.61	.49	405.00	ECS-240.001-18-S-5P-TR
24.576000	20pF	XC744CT-ND	.73	.61	.49	405.00	ECS-245.7-20-S-5P-TR
25.000000	18pF	XC745CT-ND	.73	.61			

CSM-7 系列, SMD, 小尺寸 (接上页)

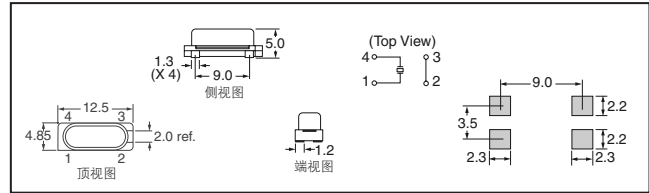
频率 (MHz)	负载电容	Digi-Key 零件编号	剪切带 单价			带卷† 价格 1,000	ECS 零件编号
			1	10	100		
9.830400	20pF	XC1245CT-ND	.73	.61	.49	405.00	ECS-98.3-20-5PX-TR
10.000000	系列	XC1246CT-ND	.73	.61	.49	405.00	ECS-100-S-5PX-TR
10.000000	18pF	XC1288CT-ND	.73	.61	.49	405.00	ECS-100-18-5PX-TR
10.245000	16pF	XC1004CT-ND	1.95	1.76	1.47	975.00	ECS-102.45-16-5PX-TR
11.059200	系列	XC1247CT-ND	.73	.61	.49	405.00	ECS-110.5-S-5PX-TR
11.059200	20pF	XC1248CT-ND	.73	.61	.49	405.00	ECS-110.5-20-5PX-TR
11.059200	32pF	XC1275CT-ND	.73	.61	.49	405.00	ECS-110.5-32-5PX-TR
12.000000	系列	XC1249CT-ND	.73	.61	.49	405.00	ECS-120-S-5PX-TR
12.000000	18pF	XC1289CT-ND	.73	.61	.49	405.00	ECS-120-18-5PX-TR
12.000000	32pF	XC1276CT-ND	.73	.61	.49	405.00	ECS-120-32-5PX-TR
12.288000	系列	XC1277CT-ND	.73	.61	.49	405.00	ECS-122.8-S-5PX-TR
12.288000	20pF	XC1278CT-ND	.73	.61	.49	405.00	ECS-122.8-20-5PX-TR
13.560000	12pF	XC1003CT-ND	1.95	1.76	1.47	975.00	ECS-135.6-12-5PX-TR
14.318180	系列	XC1250CT-ND	.73	.61	.49	405.00	ECS-143-S-5PX-TR
14.318180	20pF	XC1290CT-ND	.73	.61	.49	405.00	ECS-143-20-5PX-TR
14.745600	系列	XC1279CT-ND	.73	.61	.49	405.00	ECS-147.4-S-5PX-TR
14.745600	20pF	XC1280CT-ND	.73	.61	.49	405.00	ECS-147.4-20-5PX-TR
15.000000	系列	XC1281CT-ND	.73	.61	.49	405.00	ECS-150-S-5PX-TR
16.000000	系列	XC1251CT-ND	.73	.61	.49	405.00	ECS-160-S-5PX-TR
16.000000	20pF	XC1282CT-ND	.73	.61	.49	405.00	ECS-160-20-5PX-TR
16.000312	18pF	XC1283CT-ND	.73	.61	.49	405.00	ECS-160.003-18-5PX-TR
18.000000	系列	XC1284CT-ND	.73	.61	.49	405.00	ECS-180-S-5PX-TR
18.432000	系列	XC1252CT-ND	.73	.61	.49	405.00	ECS-184-S-5PX-TR
18.432000	18pF	XC1285CT-ND	.73	.61	.49	405.00	ECS-184-18-5PX-TR
18.432000	20pF	XC1286CT-ND	.73	.61	.49	405.00	ECS-184-20-5PX-TR
19.660800	20pF	XC1287CT-ND	.73	.61	.49	405.00	ECS-196.6-20-5PX-TR
20.000000	系列	XC1253CT-ND	.73	.61	.49	405.00	ECS-200-S-5PX-TR
20.000000	16pF	XC1291CT-ND	.73	.61	.49	405.00	ECS-200-16-5PX-TR
20.000000	20pF	XC1254CT-ND	.73	.61	.49	405.00	ECS-200-20-5PX-TR
24.000000	12pF	XC1001CT-ND	.81	.73	.61	405.00	ECS-240-12-5PX-TR
24.000000	16pF	XC1256CT-ND	.73	.61	.49	405.00	ECS-240-16-5PX-TR
24.000000	20pF	XC1255CT-ND	.73	.61	.49	405.00	ECS-240-20-5PX-TR
24.576000	20pF	XC1304CT-ND	.73	.61	.49	405.00	ECS-245.7-20-5PX-TR
25.000000	18pF	XC1305CT-ND	.73	.61	.49	405.00	ECS-250-18-5PX-F-TR
27.000000	18pF	XC1002CT-ND	.73	.61	.49	405.00	ECS-270-18-5PX-F-TR
48.000000	20pF	XC1306CT-ND§	.73	.61	.49	405.00	ECS-480-20-5PX-TR
CSM-7SSX 小尺寸, -10°C ~ 70°C - 符合 RoHS 规范要求							
3.579545	18pF	XC1588CT-ND	1.02	.92	.77	510.00	ECS-35-18-5PVX
3.686400	20pF	XC1589CT-ND	1.02	.92	.77	510.00	ECS-36-20-5PVX
4.000000	20pF	XC1590CT-ND	1.02	.92	.77	510.00	ECS-40-20-5PVX
6.000000	20pF	XC1591CT-ND	1.02	.92	.77	510.00	ECS-60-20-5PVX
8.000000	20pF	XC1592CT-ND	1.02	.92	.77	510.00	ECS-80-20-5PVX
9.830400	20pF	XC1593CT-ND	1.02	.92	.77	510.00	ECS-98.3-20-5PVX
10.000000	20pF	XC1594CT-ND	1.02	.92	.77	510.00	ECS-100-20-5PVX
11.059200	20pF	XC1595CT-ND	1.02	.92	.77	510.00	ECS-110.5-20-5PVX
12.000000	18pF	XC1596CT-ND	1.02	.92	.77	510.00	ECS-120-18-5PVX
12.000000	32pF	XC1597CT-ND	1.02	.92	.77	510.00	ECS-120-32-5PVX
12.288000	20pF	XC1598CT-ND	1.02	.92	.77	510.00	ECS-122.8-20-5PVX
14.318180	20pF	XC1599CT-ND	1.02	.92	.77	510.00	ECS-143-20-5PVX
14.745600	20pF	XC1600CT-ND	1.02	.92	.77	510.00	ECS-147.4-20-5PVX
16.000000	20pF	XC1601CT-ND	1.02	.92	.77	510.00	ECS-160-20-5PVX
18.432000	20pF	XC1602CT-ND	1.02	.92	.77	510.00	ECS-184-20-5PVX
20.000000	20pF	XC1603CT-ND	1.02	.92	.77	510.00	ECS-200-20-5PVX
24.000000	20pF	XC1604CT-ND	1.02	.92	.77	510.00	ECS-240-20-5PVX
24.576000	20pF	XC1605CT-ND	1.02	.92	.77	510.00	ECS-245.7-20-5PVX
25.000000	20pF	XC1606CT-ND	1.02	.92	.77	510.00	ECS-250-20-5PVX
27.000000	20pF	XC1607CT-ND	1.02	.92	.77	510.00	ECS-270-20-5PVX
用于 Melixis 和其它 RF 应用的 CSM-7, -10°C ~ 70°C							
7.150500	12pF	XC871-ND†	1.95	1.76	1.47	—	ECS-071.505-CD-0370
9.843800	12pF	XC872-ND†	1.95	1.76	1.47	—	ECS-098.438-CD-0371
13.062500	12pF	XC873-ND†	1.95	1.76	1.47	—	ECS-130.625-CD-0373
13.560000	12pF	XC874-ND†	1.95	1.76	1.47	—	ECS-135.600-CD-0374
20.356300	12pF	XC875-ND†	1.95	1.76	1.47	—	ECS-203.563-CD-0375
22.627800	12pF	XC876-ND†	1.95	1.76	1.47	—	ECS-226.278-CD-0376
23.264300	12pF	XC877-ND†	1.95	1.76	1.47	—	ECS-232.643-CD-0377
23.512200	12pF	XC878-ND†	1.95	1.76	1.47	—	ECS-235.122-CD-0378
25.223500	12pF	XC879-ND†	1.95	1.76	1.47	—	ECS-252.235-CD-0379
25.456300	12pF	XC880-ND†	1.95	1.76	1.47	—	ECS-254.563-CD-0380
26.451300	12pF	XC881-ND†	1.95	1.76	1.47	—	ECS-264.513-CD-0381
26.597100	12pF	XC882-ND†	1.95	1.76	1.47	—	ECS-265.971-CD-0382
27.134400	12pF	XC883-ND†	1.95	1.76	1.47	—	ECS-271.344-CD-0383
27.468800	12pF	XC884-ND†	1.95	1.76	1.47	—	ECS-274.688-CD-0384
28.259400	12pF	XC885-ND†	1.95	1.76	1.47	—	ECS-282.594-CD-0385
28.593800	12pF	XC886-ND†	1.95	1.76	1.47	—	ECS-285.938-CD-0386
用于 Melixis 和其它 RF 应用的 CSM-7X, -10°C ~ 70°C - 符合 RoHS 规范要求							
4.897000	20pF	XC1023CT-ND	1.95	1.76	1.47	975.00	ECS-48.97-CDX-0065-TR
6.498300	20pF	XC1024CT-ND	1.95	1.76	1.47	975.00	ECS-64.983-CDX-0067-TR
6.745800	20pF	XC1025CT-ND	1.95	1.76	1.47	975.00	ECS-67.458-CDX-0068-TR
7.150500	12pF	XC1355-ND†	1.95	1.76	1.47	—	ECS-071.505-CDX-0370
9.843750	10pF	XC1026CT-ND	1.95	1.76	1.47	975.00	ECS-98.4375-CDX-0314-TR
9.843800	12pF	XC1356-ND†	1.95	1.76	1.47	—	ECS-098.438-CDX-0371
13.062500	12pF	XC1357-ND†	1.95	1.76	1.47	—	ECS-130.625-CDX-0373
13.560000	10pF	XC1027CT-ND	1.95	1.76	1.47	975.00	ECS-135.600-CDX-0317-TR
13.560000	12pF	XC1358-ND†	1.95	1.76	1.47	—	ECS-135.600-CDX-0374
20.356300	12pF	XC1359-ND†	1.95	1.76	1.47	—	ECS-203.563-CDX-0375

频率 (MHz)	负载电容	Digi-Key 零件编号	剪切带 单价			带卷† 价格 1,000	ECS 零件编号
			1	10	100		
22.627800	12pF	XC1360-ND†	1.95	1.76	1.47	—	ECS-226.278-CDX-0376
23.264300	12pF	XC1361-ND†	1.95	1.76	1.47	—	ECS-232.643-CDX-0377
23.512200	12pF	XC1362-ND†	1.95	1.76	1.47	—	ECS-235.122-CDX-0378
25.223500	12pF	XC1363-ND†	1.95	1.76	1.47	—	ECS-252.235-CDX-0379
25.456300	12pF	XC1364-ND†	1.95	1.76	1.47	—	ECS-254.563-CDX-0380
26.451300	12pF	XC1365-ND†	1.95	1.76	1.47	—	ECS-264.513-CDX-0381
26.597100	12pF	XC1366-ND†	1.95	1.76	1.47	—	ECS-265.971-CDX-0382
27.134400	12pF	XC1367-ND†	1.95	1.76	1.47	—	ECS-271.344-CDX-0383
27.468800	12pF	XC1368-ND†	1.95	1.76	1.47	—	ECS-274.688-CDX-0384
28.259400	12pF	XC1369-ND†	1.95	1.76	1.47	—	ECS-282.594-CDX-0385
28.593800	12pF	XC1370-ND†	1.95	1.76	1.47	—	ECS-285.938-CDX-0386

† 将 CT-ND 改为 TR-ND, 即为带卷包装的零件编号。
‡ 由于制造商的原因, 产品可能为剪切带装或散装 § 三次泛音

CSM-4A 系列, SMD, 小尺寸

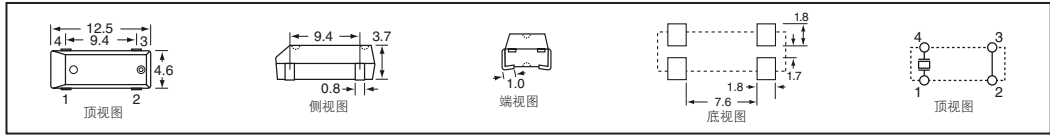
电气规格: • CSM-4A 的引脚布局也兼容 Epson MA-506 • 频率公差: ±30ppm • 工作模式: 基谐 • 并联
电容: 7pF • 存储温度: -30°C ~ 85°C • 工作温度: -10°C ~ 70°C • 驱动电平: 500µW



频率 (MHz)	负载电容	Digi-Key 零件编号	剪切带 单价			带卷† 价格 1,000	ECS 零件编号
			1	10	100		
CSM-4A							
3.579545	17pF	XC747CT-ND	1.35	1.24	1.02	675.00	ECS-35-17-28A-TR
3.686400	20pF	XC748CT-ND	1.35	1.24	1.02	675.00	ECS-36-20-28A-TR
4.000000	20pF	XC749CT-ND	1.35	1.24	1.02	675.00	ECS-40-20-28A-TR
4.915200	20pF	XC751CT-ND	1.35	1.24	1.02	675.00	ECS-49-20-28A-TR
5.000000	20pF	XC750CT-ND	1.35	1.24	1.02	675.00	ECS-50-20-28A-TR
6.000000	32pF	XC752CT-ND	1.35	1.24	1.02	675.00	ECS-60-32-28A-TR
7.372800	20pF	XC753CT-ND	1.35	1.24	1.02	675.00	ECS-73-20-28A-TR
8.000000	16pF	XC754CT-ND	1.35	1.24	1.02	675.00	ECS-80-16-28A-TR
9.830400	20pF	XC778CT-ND	1.35	1.24	1.02	675.00	ECS-98.3-20-28A-TR
10.000000	系列	XC755CT-ND	1.35	1.24	1.02	675.00	ECS-100-S-28A-TR
10.000000	20pF	XC756CT-ND	1.35	1.24	1.02	675.00	ECS-100-20-28A-TR
11.059200	系列	XC757CT-ND	1.35	1.24	1.02	675.00	ECS-110.5-S-28A-TR
11.059200	20pF	XC758CT-ND	1.35	1.24	1.02	675.00	ECS-110.5-20-28A-TR
12.000000	系列	XC760CT-ND	1.35	1.24	1.02	675.00	ECS-120-S-28A-TR
12.000000	18pF	XC759CT-ND	1.35	1.24	1.		

电气特性:

- 频率公差: ±30ppm
- 并联电容: 7pF
- 驱动电平: 100μW
- 工作温度: -10°C ~ 70°C
- 存储温度: -40°C ~ 85°C
- 工作模式: 基谱



频率 (MHz)	负载电容	Digi-Key 零件编号	剪切带			带卷价格† 1,000	ECS 零件编号
			1	10	100		
ECX-3S							
3.579545	系列	XC529CT-ND	2.03	1.69	1.35	1012.50	ECS-35-S-7S-TR
3.579545	17pF	XC501CT-ND •	2.03	1.69	1.35	1012.50	ECS-35-17-7S-TR
3.686400	系列	XC502CT-ND •	2.03	1.69	1.35	1012.50	ECS-36-S-7S-TR
3.686400	20pF	XC503CT-ND •	2.03	1.69	1.35	1012.50	ECS-36-20-7S-TR
4.000000	系列	XC504CT-ND •	2.03	1.69	1.35	1012.50	ECS-49-S-7S-TR
4.000000	20pF	XC505CT-ND •	2.03	1.69	1.35	1012.50	ECS-40-20-7S-TR
4.096000	16pF	XC500CT-ND	2.03	1.69	1.35	1012.50	ECS-41-16-7S-TR
4.194304	12pF	XC530CT-ND	2.03	1.69	1.35	1012.50	ECS-42-12-7S-TR
4.433618	20pF	XC506CT-ND •	2.03	1.69	1.35	1012.50	ECS-44-20-7S-TR
4.915200	系列	XC507CT-ND •	2.03	1.69	1.35	1012.50	ECS-49-S-7S-TR
4.915200	20pF	XC508CT-ND •	2.03	1.69	1.35	1012.50	ECS-49-20-7S-TR
5.000000	20pF	XC499CT-ND	2.03	1.69	1.35	1012.50	ECS-50-20-7S-TR
6.000000	系列	XC497CT-ND	2.03	1.69	1.35	1012.50	ECS-60-S-7S-TR
6.000000	32pF	XC498CT-ND	2.03	1.69	1.35	1012.50	ECS-60-32-7S-TR
6.144000	32pF	XC509CT-ND •	2.03	1.69	1.35	1012.50	ECS-61-32-7S-TR
6.553600	12pF	XC496CT-ND	2.03	1.69	1.35	1012.50	ECS-65-12-7S-TR
7.372800	系列	XC510CT-ND •	2.03	1.69	1.35	1012.50	ECS-73-S-7S-TR
7.372800	20pF	XC536CT-ND	2.03	1.69	1.35	1012.50	ECS-73-20-7S-TR
8.000000	系列	XC511CT-ND •	2.03	1.69	1.35	1012.50	ECS-80-S-7S-TR
8.000000	16pF	XC495CT-ND	2.03	1.69	1.35	1012.50	ECS-80-16-7S-TR
9.830400	系列	XC512CT-ND •	2.03	1.69	1.35	1012.50	ECS-98-S-7S-TR
9.830400	20pF	XC513CT-ND •	2.03	1.69	1.35	1012.50	ECS-98-3-20-7S-TR
10.000000	系列	XC514CT-ND •	2.03	1.69	1.35	1012.50	ECS-100-S-7S-TR
11.059200	系列	XC515CT-ND •	2.03	1.69	1.35	1012.50	ECS-110.5-S-7S-TR
11.059200	20pF	XC516CT-ND •	2.03	1.69	1.35	1012.50	ECS-110.5-20-7S-TR
12.000000	系列	XC517CT-ND •	2.03	1.69	1.35	1012.50	ECS-120-S-7S-TR
12.000000	18pF	XC548CT-ND	2.03	1.69	1.35	1012.50	ECS-120-18-7S-TR
12.000000	32pF	XC494CT-ND	2.03	1.69	1.35	1012.50	ECS-120-32-7S-TR
12.288000	系列	XC518CT-ND •	2.03	1.69	1.35	1012.50	ECS-122.8-S-7S-TR
12.288000	20pF	XC493CT-ND	2.03	1.69	1.35	1012.50	ECS-122.8-20-7S-TR
14.318180	系列	XC519CT-ND •	2.03	1.69	1.35	1012.50	ECS-143-S-7S-TR
14.318180	20pF	XC492CT-ND	2.03	1.69	1.35	1012.50	ECS-143-20-7S-TR
14.745600	系列	XC520CT-ND •	2.03	1.69	1.35	1012.50	ECS-147.4-S-7S-TR
14.745600	20pF	XC491CT-ND	2.03	1.69	1.35	1012.50	ECS-147.4-20-7S-TR
16.000000	系列	XC521CT-ND •	2.03	1.69	1.35	1012.50	ECS-160-S-7S-TR
16.000000	20pF	XC550CT-ND	2.03	1.69	1.35	1012.50	ECS-160-20-7S-TR
18.432000	系列	XC522CT-ND •	2.03	1.69	1.35	1012.50	ECS-184-S-7S-TR
19.660800	系列	XC523CT-ND •	2.03	1.69	1.35	1012.50	ECS-196.6-S-7S-TR
19.660800	20pF	XC490CT-ND	2.03	1.69	1.35	1012.50	ECS-196.6-20-7S-TR
20.000000	系列	XC524CT-ND •	2.03	1.69	1.35	1012.50	ECS-200-S-7S-TR

频率 (MHz)	负载电容	Digi-Key 零件编号	剪切带			带卷价格† 1,000	ECS 零件编号
			1	10	100		
20.000000	16pF	XC489CT-ND	2.03	1.69	1.35	1012.50	ECS-200-16-7S-TR
20.000000	20pF	XC525CT-ND •	2.03	1.69	1.35	1012.50	ECS-200-20-7S-TR
23.592000	系列	XC559CT-ND	2.03	1.69	1.35	1012.50	ECS-235.92-S-7S-TR
24.000000	系列	XC526CT-ND •	2.03	1.69	1.35	1012.50	ECS-240-S-7S-TR
24.000000	16pF	XC528CT-ND	2.03	1.69	1.35	1012.50	ECS-240-16-7S-TR
24.000000	20pF	XC527CT-ND •	2.03	1.69	1.35	1012.50	ECS-240-S-7S-TR
ECX-3SX - 符合 RoHS 规范要求							
3.579545	系列	XC1229CT-ND	2.03	1.69	1.35	1013.00	ECS-35-S-7SX-TR
3.579545	17pF	XC1206CT-ND	2.03	1.69	1.35	1013.00	ECS-35-17-7SX-TR
3.686400	系列	XC1207CT-ND	2.03	1.69	1.35	1013.00	ECS-36-S-7SX-TR
3.686400	20pF	XC1208CT-ND	2.03	1.69	1.35	1013.00	ECS-36-20-7SX-TR
4.000000	系列	XC1209CT-ND	2.03	1.69	1.35	1013.00	ECS-40-S-7SX-TR
4.000000	20pF	XC1210CT-ND	2.03	1.69	1.35	1013.00	ECS-40-20-7SX-TR
4.096000	16pF	XC1205CT-ND	2.03	1.69	1.35	1013.00	ECS-41-16-7SX-TR
4.194304	12pF	XC1230CT-ND	2.03	1.69	1.35	1013.00	ECS-42-12-7SX-TR
4.915200	系列	XC1211CT-ND	2.03	1.69	1.35	1013.00	ECS-49-S-7SX-TR
4.915200	20pF	XC1212CT-ND	2.03	1.69	1.35	1013.00	ECS-49-20-7SX-TR
5.000000	20pF	XC1204CT-ND	2.03	1.69	1.35	1013.00	ECS-50-20-7SX-TR
6.000000	系列	XC1202CT-ND	2.03	1.69	1.35	1013.00	ECS-60-S-7SX-TR
6.000000	32pF	XC1203CT-ND	2.03	1.69	1.35	1125.00	ECS-60-32-7SX-TR
6.144000	32pF	XC1213CT-ND	2.03	1.69	1.35	1013.00	ECS-61-32-7SX-TR
6.553600	12pF	XC1201CT-ND	2.03	1.69	1.35	1012.50	ECS-65-12-7SX-TR
7.372800	系列	XC1214CT-ND	2.03	1.69	1.35	1013.00	ECS-73-S-7SX-TR
7.372800	20pF	XC1231CT-ND	2.03	1.69	1.35	1013.00	ECS-73-20-7SX-TR
8.000000	系列	XC1215CT-ND	2.03	1.69	1.35	1013.00	ECS-80-S-7SX-TR
8.000000	16pF	XC1200CT-ND	2.03	1.69	1.35	1013.00	ECS-80-16-7SX-TR
9.830400	20pF	XC1216CT-ND	2.03	1.69	1.35	1013.00	ECS-98-3-20-7SX-TR
10.000000	系列	XC1217CT-ND	2.03	1.69	1.35	1013.00	ECS-100-S-7SX-TR
11.059200	系列	XC1218CT-ND	2.03	1.69	1.35	1013.00	ECS-110.5-S-7SX-TR
11.059200	20pF	XC1219CT-ND	2.03	1.69	1.35	1013.00	ECS-110.5-20-7SX-TR
12.000000	系列	XC1220CT-ND	2.03	1.69	1.35	1013.00	ECS-120-S-7SX-TR
12.000000	18pF	XC1232CT-ND	2.03	1.69	1.35	1013.00	ECS-120-18-7SX-TR
12.288000	系列	XC1221CT-ND	2.03	1.69	1.35	1013.00	ECS-122.8-S-7SX-TR
12.288000	20pF	XC1199CT-ND	2.03	1.69	1.35	1013.00	ECS-122.8-20-7SX-TR
14.318180	系列	XC1222CT-ND	2.03	1.69	1.35	1013.00	ECS-143-S-7SX-TR
14.745600	系列	XC1223CT-ND	2.03	1.69	1.35	1013.00	ECS-147.4-S-7SX-TR
14.745600	20pF	XC1198CT-ND	2.03	1.69	1.35	1013.00	ECS-147.4-20-7SX-TR
16.000000	系列	XC1224CT-ND	2.03	1.69	1.35	1013.00	ECS-160-S-7SX-TR
16.000000	20pF	XC1233CT-ND	2.03	1.69	1.35	1013.00	ECS-160-20-7SX-TR
18.432000	系列	XC1225CT-ND	2.03	1.69	1.35	1013.00	ECS-184-S-7SX-TR
19.660800	20pF	XC1197CT-ND	2.03	1.69	1.35	1013.00	ECS-196.6-20-7SX-TR
20.000000	系列	XC1226CT-ND	2.03	1.69	1.35	1013.00	ECS-200-S-7SX-TR
20.000000	16pF	XC1196CT-ND	2.03	1.69	1.35	1013.00	ECS-200-16-7SX-TR
20.000000	20pF	XC1227CT-ND	2.03	1.69	1.35	1013.00	ECS-200-20-7SX-TR
24.000000	20pF	XC1228CT-ND	2.03	1.69	1.35	1013.00	ECS-240-20-7SX-TR

† 将 CT-ND 改为 TR-ND, 即为带卷包装的零件编号。

• XC-KIT-ND Digi-Key® SMT 小尺寸石英晶体套件, 所标记值每种 3 件 (共 78 件), 包括笔记本型存储箱及储藏指南。

169.00

表面贴装石英晶体

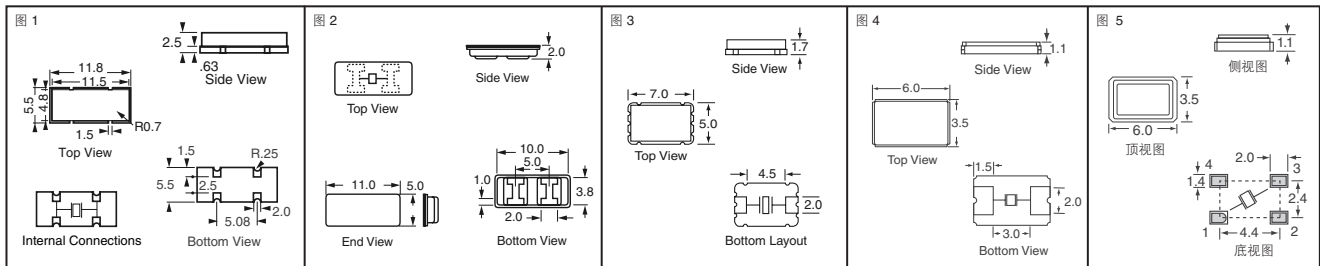


图	最大 ESR (欧)	负载电容	频率 (MHz)	Digi-Key 零件编号	剪切带 单价			Digi-Key 零件编号	带卷价格 1,000	ECS 零件编号	
					1	10	100				
CSM-12, -10°C ~ 70°C											
1	200	17pF	3.579545	XC584CT-ND	1.95	1.76	1.47	1.17	XC584TR-ND	975.00	ECS-35-17-18-TR
	200	20pF	3.686400	XC585CT-ND	1.95	1.76	1.47	1.17	XC585TR-ND	975.00	ECS-36-S-18-TR
	200	20pF	3.686400	XC586CT-ND	1.95	1.76	1.47	1.17	XC586TR-ND	975.00	ECS-36-20-18-TR
	150	系列	4.000000	XC588CT-ND	1.95	1.76	1.47	1.17	XC588TR-ND	975.00	ECS-40-S-18-TR
	150	20pF	4.000000	XC587CT-ND	1.95	1.76	1.47	1.17	XC587TR-ND	975.00	ECS-40-20-18-TR
	150	系列	4.915200	XC590CT-ND	1.95	1.76	1.47	1.17	XC590TR-ND	975.00	ECS-49-S-18-TR
	150	20pF	4.915200	XC589CT-ND	1.95	1.76	1.47	1.17	XC589TR-ND	975.00	ECS-49-20-18-TR
	100	32pF	6.144000	XC591CT-ND	1.95	1.76	1.47	1.17	XC591TR-ND	975.00	ECS-61-32-18-TR
	100	系列	7.372800	XC592CT-ND	1.95	1.76	1.47	1.17	XC592TR-ND	975.00	ECS-73-S-18-TR
	100	系列	8.000000	XC593CT-ND	1.95	1.76	1.47	1.17	XC593TR-ND	975.00	ECS-80-S-18-TR

* 三次泛音 † Bluetooth™ RF

(转下页)

全部产品均以美元计价。 免费电话: 10800-1527031 (China Telecom - 中国电信) — 10800-8527031 (CNCG - 中国网通)

digikkey.com.cn — 电话: (852) 3104 0500 — 传真: (852) 3104 0686

(CN082-09) 1475

图	最大 ESR (欧)	负载电容	频率 (MHz)	Digi-Key 零件编号	剪切带 单价				Digi-Key 零件编号	带卷价格 1,000	ECS 零件编号	
					1	10	100	500				
1	100	20pF	8.000000	XC1007CT-ND	1.95	1.76	1.47	1.17	XC1007TR-ND	975.00	ECS-80-20-18-TR	
	100	系列	9.830400	XC594CT-ND	1.95	1.76	1.47	1.17	XC594TR-ND	975.00	ECS-98.3-S-18-TR	
	100	20pF	9.830400	XC595CT-ND	1.95	1.76	1.47	1.17	XC595TR-ND	975.00	ECS-98.3-20-18-TR	
	80	系列	10.000000	XC596CT-ND	1.95	1.76	1.47	1.17	XC596TR-ND	975.00	ECS-100-S-18-TR	
	80	系列	11.059200	XC597CT-ND	1.95	1.76	1.47	1.17	XC597TR-ND	975.00	ECS-110.5-S-18-TR	
	80	20pF	11.059200	XC598CT-ND	1.95	1.76	1.47	1.17	XC598TR-ND	975.00	ECS-110.5-20-18-TR	
	80	系列	12.000000	XC599CT-ND	1.95	1.76	1.47	1.17	XC599TR-ND	975.00	ECS-120-S-18-TR	
	50	系列	14.318180	XC600CT-ND	1.95	1.76	1.47	1.17	XC600TR-ND	975.00	ECS-143-S-18-TR	
	50	20pF	14.318180	XC937CT-ND	1.95	1.76	1.47	1.17	XC937TR-ND	975.00	ECS-143-20-18-TR	
	50	系列	16.000000	XC601CT-ND	1.95	1.76	1.47	1.17	XC601TR-ND	975.00	ECS-160-S-18-TR	
	50	系列	18.432000	XC602CT-ND	1.95	1.76	1.47	1.17	XC602TR-ND	975.00	ECS-184-S-18-TR	
	50	系列	19.660800	XC603CT-ND	1.95	1.76	1.47	1.17	XC603TR-ND	975.00	ECS-196.6-S-18-TR	
50	系列	20.000000	XC604CT-ND	1.95	1.76	1.47	1.17	XC604TR-ND	975.00	ECS-200-S-18-TR		
50	20pF	20.000000	XC605CT-ND	1.95	1.76	1.47	1.17	XC605TR-ND	975.00	ECS-200-20-18-TR		
50	16pF	24.000000	XC607CT-ND	1.95	1.76	1.47	1.17	XC607TR-ND	975.00	ECS-240-16-18-TR		
50	20pF	24.000000	XC606CT-ND	1.95	1.76	1.47	1.17	XC606TR-ND	975.00	ECS-240-20-18-TR		
ECX-19A, -10°C ~ 70°C												
2	200	17pF	3.579545	XC850CT-ND	3.30	2.97	2.48	1.98	XC850TR-ND	1650.00	ECS-35-17-19A-TR	
	200	20pF	3.686400	XC851CT-ND	3.30	2.97	2.48	1.98	XC851TR-ND	1650.00	ECS-36-20-19A-TR	
	150	20pF	4.000000	XC852CT-ND	3.30	2.97	2.48	1.98	XC852TR-ND	1650.00	ECS-40-20-19A-TR	
	150	20pF	4.915200	XC853CT-ND	3.30	2.97	2.48	1.98	XC853TR-ND	1650.00	ECS-49-20-19A-TR	
	100	32pF	6.144000	XC854CT-ND	3.30	2.97	2.48	1.98	XC854TR-ND	1650.00	ECS-61-32-19A-TR	
	100	20pF	7.372800	XC855CT-ND	3.30	2.97	2.48	1.98	XC855TR-ND	1650.00	ECS-73-20-19A-TR	
	100	20pF	8.000000	XC856CT-ND	3.30	2.97	2.48	1.98	XC856TR-ND	1650.00	ECS-80-20-19A-TR	
	100	20pF	9.830400	XC857CT-ND	3.30	2.97	2.48	1.98	XC857TR-ND	1650.00	ECS-98.3-20-19A-TR	
	80	系列	10.000000	XC858CT-ND	3.30	2.97	2.48	1.98	XC858TR-ND	1650.00	ECS-100-S-19A-TR	
	80	20pF	11.059200	XC859CT-ND	3.30	2.97	2.48	1.98	XC859TR-ND	1650.00	ECS-110.5-20-19A-TR	
	80	系列	12.000000	XC860CT-ND	3.30	2.97	2.48	1.98	XC860TR-ND	1650.00	ECS-120-S-19A-TR	
	80	20pF	12.000000	XC861CT-ND	3.30	2.97	2.48	1.98	XC861TR-ND	1650.00	ECS-120-20-19A-TR	
	50	系列	14.318180	XC862CT-ND	3.30	2.97	2.48	1.98	XC862TR-ND	1650.00	ECS-143-S-19A-TR	
	50	20pF	14.318180	XC863CT-ND	3.30	2.97	2.48	1.98	XC863TR-ND	1650.00	ECS-143-20-19A-TR	
	50	系列	16.000000	XC864CT-ND	3.30	2.97	2.48	1.98	XC864TR-ND	1650.00	ECS-160-S-19A-TR	
	50	系列	18.432000	XC865CT-ND	3.30	2.97	2.48	1.98	XC865TR-ND	1650.00	ECS-184-S-19A-TR	
	50	系列	19.660800	XC866CT-ND	3.30	2.97	2.48	1.98	XC866TR-ND	1650.00	ECS-196.6-S-19A-TR	
	50	系列	20.000000	XC867CT-ND	3.30	2.97	2.48	1.98	XC867TR-ND	1650.00	ECS-200-S-19A-TR	
	50	20pF	20.000000	XC868CT-ND	3.30	2.97	2.48	1.98	XC868TR-ND	1650.00	ECS-200-20-19A-TR	
	50	系列	24.000000	XC870CT-ND	3.30	2.97	2.48	1.98	XC870TR-ND	1650.00	ECS-240-S-19A-TR	
	50	20pF	24.000000	XC869CT-ND	3.30	2.97	2.48	1.98	XC869TR-ND	1650.00	ECS-240-20-19A-TR	
	CSM-8, -10°C ~ 70°C											
	3	60	20pF	8.000000	XC1010CT-ND	3.30	2.97	2.48	1.98	XC1010TR-ND	1650.00	ECS-80-20-20A-TR
		60	系列	9.830400	XC608CT-ND	3.30	2.97	2.48	1.98	XC608TR-ND	1650.00	ECS-98.3-S-20A-TR
		60	20pF	9.830400	XC609CT-ND	3.30	2.97	2.48	1.98	XC609TR-ND	1650.00	ECS-98.3-20-20A-TR
		60	系列	10.000000	XC610CT-ND	3.30	2.97	2.48	1.98	XC610TR-ND	1650.00	ECS-100-S-20A-TR
		60	系列	11.059200	XC611CT-ND	3.30	2.97	2.48	1.98	XC611TR-ND	1650.00	ECS-110.5-S-20A-TR
		60	20pF	11.059200	XC612CT-ND	3.30	2.97	2.48	1.98	XC612TR-ND	1650.00	ECS-110.5-20-20A-TR
		60	系列	12.000000	XC613CT-ND	3.30	2.97	2.48	1.98	XC613TR-ND	1650.00	ECS-120-S-20A-TR
		60	20pF	12.000000	XC1011CT-ND	3.30	2.97	2.48	1.98	XC1011TR-ND	1650.00	ECS-120-20-20A-TR
60		20pF	12.288000	XC1012CT-ND	3.30	2.97	2.48	1.98	XC1012TR-ND	1650.00	ECS-122.8-20-20A-TR	
60		系列	14.318180	XC614CT-ND	3.30	2.97	2.48	1.98	XC614TR-ND	1650.00	ECS-143-S-20A-TR	
60		20pF	14.318180	XC938CT-ND	3.30	2.97	2.48	1.98	XC938TR-ND	1650.00	ECS-143-20-20A-TR	
60		系列	14.745600	XC615CT-ND	3.30	2.97	2.48	1.98	XC615TR-ND	1650.00	ECS-147.4-S-20A-TR	
40		系列	16.000000	XC616CT-ND	3.30	2.97	2.48	1.98	XC616TR-ND	1650.00	ECS-160-S-20A-TR	
40		20pF	16.000000	XC939CT-ND	3.30	2.97	2.48	1.98	XC939TR-ND	1650.00	ECS-160-20-20A-TR	
40		系列	18.432000	XC617CT-ND	3.30	2.97	2.48	1.98	XC617TR-ND	1650.00	ECS-184-S-20A-TR	
40		系列	19.660800	XC618CT-ND	3.30	2.97	2.48	1.98	XC618TR-ND	1650.00	ECS-196.6-S-20A-TR	
40		系列	20.000000	XC619CT-ND	3.30	2.97	2.48	1.98	XC619TR-ND	1650.00	ECS-200-S-20A-TR	
40		20pF	20.000000	XC620CT-ND	3.30	2.97	2.48	1.98	XC620TR-ND	1650.00	ECS-200-20-20A-TR	
40		系列	24.000000	XC621CT-ND	3.30	2.97	2.48	1.98	XC621TR-ND	1650.00	ECS-240-S-20A-TR	
40		12pF	24.000000	XC1009CT-ND	3.30	2.97	2.48	1.98	XC1009TR-ND	1650.00	ECS-240-12-20A-TR	
40		20pF	24.000000	XC622CT-ND	3.30	2.97	2.48	1.98	XC622TR-ND	1650.00	ECS-240-20-20A-TR	
40		系列	24.000140	XC623CT-ND	3.30	2.97	2.48	1.98	XC623TR-ND	1650.00	ECS-240.0014S20A-TR	
40		系列	30.000000	XC630CT-ND	3.30	2.97	2.48	1.98	XC630TR-ND	1650.00	ECS-300-S-20A-F-TR	
80		系列	30.000000	XC624CT-ND*	3.30	2.97	2.48	1.98	XC624TR-ND*	1650.00	ECS-300-S-20A-TR	
40		系列	32.000000	XC631CT-ND	3.30	2.97	2.48	1.98	XC631TR-ND	1650.00	ECS-320-S-20A-F-TR	
80		系列	32.000000	XC625CT-ND*	3.30	2.97	2.48	1.98	XC625TR-ND*	1650.00	ECS-320-S-20A-TR	
80		系列	33.000000	XC626CT-ND*	3.30	2.97	2.48	1.98	XC626TR-ND*	1650.00	ECS-330-S-20A-TR	
40		系列	35.251200	XC632CT-ND	3.30	2.97	2.48	1.98	XC632TR-ND	1650.00	ECS-352.512-S20AF-TR	
40		系列	36.000000	XC633CT-ND	3.30	2.97	2.48	1.98	XC633TR-ND	1650.00	ECS-360-S-20A-F-TR	
80		系列	36.000000	XC627CT-ND*	3.30	2.97	2.48	1.98	XC627TR-ND*	1650.00	ECS-360-S-20A-TR	
40		系列	40.000000	XC634CT-ND	3.30	2.97	2.48	1.98	XC634TR-ND	1650.00	ECS-400-S-20A-F-TR	
80		系列	40.000000	XC628CT-ND*	3.30	2.97	2.48	1.98	XC628TR-ND*	1650.00	ECS-400-S-20A-TR	
80		系列	40.320000	XC629CT-ND*	3.30	2.97	2.48	1.98	XC629TR-ND*	1650.00	ECS-403.2-S-20A-TR	
80		20pF	48.000000	XC940CT-ND	3.30	2.97	2.48	1.98	XC940TR-ND	1650.00	ECS-480-20-20A-TR	
ECX-64A-EN 工业级温度, -40°C ~ 85°C, ±50ppm												
4		80	系列	14.318180	XC980CT-ND	2.94	2.65	2.21	1.77	XC980TR-ND	1470.00	ECS-143-S-23A-EN-TR
		80	20pF	14.318180	XC979CT-ND	2.94	2.65	2.21	1.77	XC979TR-ND	1470.00	ECS-143-20-23A-EN-TR
		80	20pF	14.745600	XC981CT-ND	2.94	2.65	2.21	1.77	XC981TR-ND	1470.00	ECS-147-20-23A-EN-TR
		60	系列	16.000000	XC983CT-ND	2.94	2.65	2.21	1.77	XC983TR-ND	1470.00	ECS-160-S-23A-EN-TR
		60	20pF	16.000000	XC982CT-ND	2.94	2.65	2.21	1.77	XC982TR-ND	1470.00	ECS-160-20-23A-EN-TR
	60	系列	18.432000	XC985CT-ND	2.94	2.65	2.21	1.77	XC985TR-ND	1470.00	ECS-184-S-23A-EN-TR	
	60	20pF	18.432000	XC984CT-ND	2.94	2.65	2.21	1.77	XC984TR-ND	1470.00	ECS-184-20-23A-EN-TR	
	60	系列	19.660800	XC987CT-ND	2.94	2.65	2.21	1.77	XC987TR-ND	1470.00	ECS-196-S-23A-EN-TR	
	60	20pF	19.660800	XC986CT-ND	2.94	2.65	2.21	1.77	XC986TR-ND	1470.00	ECS-196-20-23A-EN-TR	
	40	系列	20.000000	XC989CT-ND	2.94	2.65	2.21	1.77	XC989TR-ND	1470.00	ECS-200-S-23A-EN-TR	
	40	20pF	20.000000	XC988CT-ND	2.94	2.65	2.21	1.77	XC988TR-ND	1470.00	ECS-200-20-23A-EN-TR	
	40	系列	24.000000	XC991CT-ND	2.94	2.65	2.21	1.77	XC991TR-ND	1470.00	ECS-240-S-23A-EN-TR	
	40	20pF	24.000000	XC990CT-ND	2.94	2.65	2.21	1.77	XC990TR-ND	1470.00	ECS-240-20-23A-EN-TR	

* 三次泛音 † Bluetooth™ RF

(转下页)

图	最大 ESR (欧)	负载电容	频率 (MHz)	Digi-Key 零件编号	剪切带单价				Digi-Key 零件编号	带卷价格 1,000	ECS 零件编号	
					1	10	100	500				
<i>ECX-64A, -10°C ~ 70°C, ±50ppm</i>												
4	80	系列	14.31818	XC822CT-ND	3.30	2.97	2.48	1.98	XC822TR-ND	1650.00	ECS-143-S-23A-TR	
	80	20pF	14.31818	XC821CT-ND	3.30	2.97	2.48	1.98	XC821TR-ND	1650.00	ECS-143-20-23A-TR	
	80	20pF	14.74560	XC823CT-ND	3.30	2.97	2.48	1.98	XC823TR-ND	1650.00	ECS-147-20-23A-TR	
	60	系列	16.00000	XC825CT-ND	3.30	2.97	2.48	1.98	XC825TR-ND	1650.00	ECS-160-S-23A-TR	
	60	20pF	16.00000	XC824CT-ND	3.30	2.97	2.48	1.98	XC824TR-ND	1650.00	ECS-160-20-23A-TR	
	60	系列	18.43200	XC827CT-ND	3.30	2.97	2.48	1.98	XC827TR-ND	1650.00	ECS-184-S-23A-TR	
	60	20pF	18.43200	XC826CT-ND	3.30	2.97	2.48	1.98	XC826TR-ND	1650.00	ECS-184-20-23A-TR	
	60	系列	19.66080	XC829CT-ND	3.30	2.97	2.48	1.98	XC829TR-ND	1650.00	ECS-196-S-23A-TR	
	60	20pF	19.66080	XC828CT-ND	3.30	2.97	2.48	1.98	XC828TR-ND	1650.00	ECS-196-20-23A-TR	
	40	系列	20.00000	XC831CT-ND	3.30	2.97	2.48	1.98	XC831TR-ND	1650.00	ECS-200-S-23A-TR	
	40	20pF	20.00000	XC830CT-ND	3.30	2.97	2.48	1.98	XC830TR-ND	1650.00	ECS-200-20-23A-TR	
	40	系列	24.00000	XC832CT-ND	3.30	2.97	2.48	1.98	XC832TR-ND	1650.00	ECS-240-S-23A-TR	
	<i>ECX-64B, -10°C ~ 70°C, ±50ppm</i>											
	5	80	9pF	12.00000	XC1022CT-ND†	1.95	1.76	1.47	1.17	XC1022TR-ND†	975.00	ECS-120-CD-0330-TR
80		20pF	12.00000	XC1013CT-ND	3.75	3.38	2.82	2.25	XC1013TR-ND	1875.00	ECS-120-20-23B-TR	
80		系列	14.31818	XC810CT-ND	3.75	3.38	2.82	2.25	XC810TR-ND	1875.00	ECS-143-S-2 3B-TR	
80		20pF	14.31818	XC809CT-ND	3.75	3.38	2.82	2.25	XC809TR-ND	1875.00	ECS-143-20-23B-TR	
80		20pF	14.74560	XC811CT-ND	3.75	3.38	2.82	2.25	XC811TR-ND	1875.00	ECS-147-20-23B-TR	
60		系列	16.00000	XC813CT-ND	3.75	3.38	2.82	2.25	XC813TR-ND	1875.00	ECS-160-S-23B-TR	
60		20pF	16.00000	XC812CT-ND	3.75	3.38	2.82	2.25	XC812TR-ND	1875.00	ECS-160-20-23B-TR	
60		系列	18.43200	XC815CT-ND	3.75	3.38	2.82	2.25	XC815TR-ND	1875.00	ECS-184-S-23B-TR	
60		20pF	18.43200	XC814CT-ND	3.75	3.38	2.82	2.25	XC814TR-ND	1875.00	ECS-184-20-23B-TR	
60		系列	19.66080	XC817CT-ND	3.75	3.38	2.82	2.25	XC817TR-ND	1875.00	ECS-196-S-23B-TR	
60		20pF	19.66080	XC816CT-ND	3.75	3.38	2.82	2.25	XC816TR-ND	1875.00	ECS-196-20-23B-TR	
40		系列	20.00000	XC819CT-ND	3.75	3.38	2.82	2.25	XC819TR-ND	1875.00	ECS-200-S-23B-TR	
40		20pF	20.00000	XC818CT-ND	3.75	3.38	2.82	2.25	XC818TR-ND	1875.00	ECS-200-20-23B-TR	
40		系列	24.00000	XC820CT-ND	3.75	3.38	2.82	2.25	XC820TR-ND	1875.00	ECS-240-S-23B-TR	
40		20pF	24.00000	XC1014CT-ND	3.75	3.38	2.82	2.25	XC1014TR-ND	1875.00	ECS-240-20-23B-TR	
40		18pF	25.00000	XC1015CT-ND	3.75	3.38	2.82	2.25	XC1015TR-ND	1875.00	ECS-250-18-23B-F-TR	

* 三次泛音 † Bluetooth™ RF

D

超小型表面贴装石英晶体

Top View

Side View

Top View

Bottom View

尺寸 (mm)			
系列	L	W	H
ECX-53B	5.0	3.2	0.85
ECX-42	4.0	2.5	0.80
ECX-32	3.2	2.5	0.70
ECX-2236	2.5	2.0	0.55
ECX-1637	2.0	1.6	0.45

最大 ESR (欧)	负载电容	频率 (MHz)	Digi-Key 零件编号	剪切带单价				Digi-Key 零件编号	带卷价格 1,000	ECS 零件编号
				1	10	100	500			
<i>ECX-53B-DU 车用温度范围, -55°C ~ 125°C, 5.0x3.2x0.85mm</i>										
80	20pF	10.00000	XC1510CT-ND	1.77	1.60	1.33	1.07	XC1510TR-ND	885.00	ECS-100-20-30B-DU
80	20pF	12.00000	XC1511CT-ND	1.77	1.60	1.33	1.07	XC1511TR-ND	885.00	ECS-120-20-30B-DU
80	20pF	14.31818	XC1512CT-ND	1.77	1.60	1.33	1.07	XC1512TR-ND	885.00	ECS-143-20-30B-DU
60	20pF	16.00000	XC1513CT-ND	1.77	1.60	1.33	1.07	XC1513TR-ND	885.00	ECS-160-20-30B-DU
40	20pF	20.00000	XC1514CT-ND	1.77	1.60	1.33	1.07	XC1514TR-ND	885.00	ECS-200-20-30B-DU
30	20pF	24.00000	XC1515CT-ND	1.77	1.60	1.33	1.07	XC1515TR-ND	885.00	ECS-240-20-30B-DU
30	20pF	25.00000	XC1516CT-ND	1.77	1.60	1.33	1.07	XC1516TR-ND	885.00	ECS-250-20-30B-DU
30	20pF	27.00000	XC1517CT-ND	1.77	1.60	1.33	1.07	XC1517TR-ND	885.00	ECS-270-20-30B-DU
30	20pF	30.00000	XC1518CT-ND	1.77	1.60	1.33	1.07	XC1518TR-ND	885.00	ECS-300-20-30B-DU
30	20pF	32.00000	XC1519CT-ND	1.77	1.60	1.33	1.07	XC1519TR-ND	885.00	ECS-320-20-30B-DU
30	20pF	40.00000	XC1520CT-ND	2.07	1.87	1.56	1.25	XC1520TR-ND	1035.00	ECS-400-20-30B-DU
30	20pF	48.00000	XC1521CT-ND	2.37	2.14	1.78	1.43	XC1521TR-ND	1185.00	ECS-480-20-30B-DU
<i>ECX-53B, -20°C ~ 70°C, ±50ppm, 5.0x3.2x0.85mm</i>										
80	20pF	10.00000	XC1117CT-ND	1.77	1.60	1.33	1.07	XC1117TR-ND	885.00	ECS-100-20-30B-TR
80	20pF	12.00000	XC1118CT-ND	1.77	1.60	1.33	1.07	XC1118TR-ND	885.00	ECS-120-20-30B-TR
80	20pF	14.31818	XC1119CT-ND	1.77	1.60	1.33	1.07	XC1119TR-ND	885.00	ECS-143-20-30B-TR
60	20pF	16.00000	XC1120CT-ND	1.77	1.60	1.33	1.07	XC1120TR-ND	885.00	ECS-160-20-30B-TR
50	20pF	20.00000	XC1121CT-ND	1.77	1.60	1.33	1.07	XC1121TR-ND	885.00	ECS-200-20-30B-TR
50	20pF	24.00000	XC1122CT-ND	1.77	1.60	1.33	1.07	XC1122TR-ND	885.00	ECS-240-20-30B-TR
50	20pF	24.57600	XC1123CT-ND	1.77	1.60	1.33	1.07	XC1123TR-ND	885.00	ECS-245-20-30B-TR
50	20pF	25.00000	XC1124CT-ND	1.77	1.60	1.33	1.07	XC1124TR-ND	885.00	ECS-250-20-30B-TR
50	系列	27.00000	XC1126CT-ND	2.07	1.87	1.56	1.25	XC1126TR-ND	1035.00	ECS-270-S-30B-TR
50	20pF	27.00000	XC1125CT-ND	1.77	1.60	1.33	1.07	XC1125TR-ND	885.00	ECS-270-20-30B-TR
50	系列	30.00000	XC1128CT-ND	2.07	1.87	1.56	1.25	XC1128TR-ND	1035.00	ECS-300-S-30B-TR
50	20pF	30.00000	XC1127CT-ND	2.07	1.87	1.56	1.25	XC1127TR-ND	1035.00	ECS-300-20-30B-TR
50	系列	32.00000	XC1130CT-ND	2.07	1.87	1.56	1.25	XC1130TR-ND	1035.00	ECS-320-S-30B-TR
50	20pF	32.00000	XC1129CT-ND	2.07	1.87	1.56	1.25	XC1129TR-ND	1035.00	ECS-320-20-30B-TR
50	系列	36.00000	XC1132CT-ND	2.07	1.87	1.56	1.25	XC1132TR-ND	1035.00	ECS-360-S-30B-TR
50	20pF	36.00000	XC1131CT-ND	2.07	1.87	1.56	1.25	XC1131TR-ND	1035.00	ECS-360-20-30B-TR
50	系列	40.00000	XC1134CT-ND	2.37	2.14	1.78	1.43	XC1134TR-ND	1185.00	ECS-400-S-30B-TR
50	20pF	40.00000	XC1133CT-ND	2.37	2.14	1.78	1.43	XC1133TR-ND	1185.00	ECS-400-20-30B-TR
50	系列	50.00000	XC1136CT-ND	2.37	2.14	1.78	1.43	XC1136TR-ND	1185.00	ECS-500-S-30B-TR
50	20pF	50.00000	XC1135CT-ND	2.37	2.14	1.78	1.43	XC1135TR-ND	1185.00	ECS-500-20-30B-TR
<i>ECX-42 用于 Bluetooth™ 和 Zigbee 应用, ±10/±10, -20°C ~ 70°C, 4.0x2.5x0.80mm</i>										
80	9pF	12.00000	XC1608CT-ND	1.65	1.49	1.24	.99	XC1608TR-ND	825.00	ECS-120-9-42-CKM-TR
80	9pF	13.00000	XC1609CT-ND	1.65	1.49	1.24	.99	XC1609TR-ND	825.00	ECS-130-9-42-CKM-TR
80	9pF	14.40000	XC1610CT-ND	1.65	1.49	1.24	.99	XC1610TR-ND	825.00	ECS-144-9-42-CKM-TR
80	9pF	16.00000	XC1611CT-ND	1.65	1.49	1.24	.99	XC1611TR-ND	825.00	ECS-160-9-42-CKM-TR
80	9pF	19.68000	XC1612CT-ND	1.65	1.49	1.24	.99	XC1612TR-ND	825.00	ECS-196.8-9-42-CKM-TR
60	13pF	24.00000	XC1613CT-ND	1.65	1.49	1.24	.99	XC1613TR-ND	825.00	ECS-240-13-42-CKM-TR
60	13pF	26.00000	XC1614CT-ND	1.65	1.49	1.24	.99	XC1614TR-ND	825.00	ECS-260-13-42-CKM-TR
60	13pF	32.00000	XC1615CT-ND	1.74	1.57	1.31	1.05	XC1615TR-ND	870.00	ECS-320-13-42-CKM-TR

(转下页)

全部产品均以美元计价。 免费电话: 10800-1527031 (China Telecom - 中国电讯) — 10800-8527031 (CNCG - 中国网通)

digiquey.com.cn — 电话: (852) 3104 0500 — 传真: (852) 3104 0686

(CN082-09) 1477

最大 ESR (欧)	负载电容	频率 (MHz)	Digi-Key 零件编号	剪切带 单价				Digi-Key 零件编号	带卷价格 1,000	ECS 零件编号
				1	10	100	500			
<i>ECX-32, -20°C ~ 70°C, ±50ppm, 3.2x2.5x0.70mm</i>										
100	20pF	16.000000	XC1137CT-ND	3.57	3.22	2.68	2.15	XC1137TR-ND	1785.00	ECS-160-20-33-TR
100	20pF	18.432000	XC1138CT-ND	3.57	3.22	2.68	2.15	XC1138TR-ND	1785.00	ECS-184-20-33-TR
100	20pF	19.660800	XC1139CT-ND	3.57	3.22	2.68	2.15	XC1139TR-ND	1785.00	ECS-196-20-33-TR
100	20pF	20.000000	XC1140CT-ND	3.57	3.22	2.68	2.15	XC1140TR-ND	1785.00	ECS-200-20-33-TR
100	20pF	24.000000	XC1141CT-ND	3.57	3.22	2.68	2.15	XC1141TR-ND	1785.00	ECS-240-20-33-TR
100	20pF	25.000000	XC1142CT-ND	3.57	3.22	2.68	2.15	XC1142TR-ND	1785.00	ECS-250-20-33-TR
100	20pF	27.000000	XC1143CT-ND	3.57	3.22	2.68	2.15	XC1143TR-ND	1785.00	ECS-270-20-33-TR
50	系列	30.000000	XC1145CT-ND	3.57	3.22	2.68	2.15	XC1145TR-ND	1785.00	ECS-300-S-33-TR
50	20pF	30.000000	XC1144CT-ND	3.57	3.22	2.68	2.15	XC1144TR-ND	1785.00	ECS-300-20-33-TR
50	系列	32.000000	XC1147CT-ND	3.57	3.22	2.68	2.15	XC1147TR-ND	1785.00	ECS-320-S-33-TR
50	20pF	32.000000	XC1146CT-ND	3.57	3.22	2.68	2.15	XC1146TR-ND	1785.00	ECS-320-20-33-TR
50	系列	36.000000	XC1149CT-ND	3.57	3.22	2.68	2.15	XC1149TR-ND	1785.00	ECS-360-S-33-TR
50	20pF	36.000000	XC1148CT-ND	3.57	3.22	2.68	2.15	XC1148TR-ND	1785.00	ECS-360-20-33-TR
50	系列	40.000000	XC1151CT-ND	3.57	3.22	2.68	2.15	XC1151TR-ND	1785.00	ECS-400-S-33-TR
50	20pF	40.000000	XC1150CT-ND	3.57	3.22	2.68	2.15	XC1150TR-ND	1785.00	ECS-400-20-33-TR
50	系列	48.000000	XC1153CT-ND	3.57	3.22	2.68	2.15	XC1153TR-ND	1785.00	ECS-480-S-33-TR
50	20pF	48.000000	XC1152CT-ND	3.57	3.22	2.68	2.15	XC1152TR-ND	1785.00	ECS-480-20-33-TR
<i>ECX-2236 用于 Bluetooth™ 和 Zigbee 应用, ±10±10, -20°C ~ 70°C, 2.5x2.0x0.55mm</i>										
100	8pF	16.000000	XC1552CT-ND	3.45	3.11	2.59	2.07	XC1552TR-ND	1725.00	ECS-160-8-36CKM
100	8pF	18.432000	XC1553CT-ND	3.45	3.11	2.59	2.07	XC1553TR-ND	1725.00	ECS-184-8-36CKM
100	8pF	19.200000	XC1554CT-ND	3.45	3.11	2.59	2.07	XC1554TR-ND	1725.00	ECS-192-8-36CKM
100	8pF	19.660800	XC1555CT-ND	3.45	3.11	2.59	2.07	XC1555TR-ND	1725.00	ECS-196-8-36CKM
100	8pF	20.000000	XC1556CT-ND	3.45	3.11	2.59	2.07	XC1556TR-ND	1725.00	ECS-200-8-36CKM
100	8pF	24.000000	XC1557CT-ND	3.45	3.11	2.59	2.07	XC1557TR-ND	1725.00	ECS-240-8-36CKM
100	8pF	24.576000	XC1558CT-ND	3.45	3.11	2.59	2.07	XC1558TR-ND	1725.00	ECS-245.7-8-36CKM
100	8pF	25.000000	XC1559CT-ND	3.45	3.11	2.59	2.07	XC1559TR-ND	1725.00	ECS-250-8-36CKM
100	8pF	26.000000	XC1560CT-ND	3.45	3.11	2.59	2.07	XC1560TR-ND	1725.00	ECS-260-8-36CKM
100	8pF	27.000000	XC1561CT-ND	3.45	3.11	2.59	2.07	XC1561TR-ND	1725.00	ECS-270-8-36CKM
100	8pF	30.000000	XC1562CT-ND	3.45	3.11	2.59	2.07	XC1562TR-ND	1725.00	ECS-300-8-36CKM
100	8pF	32.000000	XC1563CT-ND	3.45	3.11	2.59	2.07	XC1563TR-ND	1725.00	ECS-320-8-36CKM
100	8pF	36.000000	XC1564CT-ND	3.45	3.11	2.59	2.07	XC1564TR-ND	1725.00	ECS-360-8-36CKM
100	8pF	40.000000	XC1565CT-ND	3.45	3.11	2.59	2.07	XC1565TR-ND	1725.00	ECS-400-8-36CKM
100	8pF	48.000000	XC1566CT-ND	3.45	3.11	2.59	2.07	XC1566TR-ND	1725.00	ECS-480-8-36CKM
100	8pF	80.000000	XC1567CT-ND	5.37	4.84	4.03	3.23	XC1567TR-ND	2685.00	ECS-800-8-36CKM
<i>ECX-1637 用于 Bluetooth™ 和 Zigbee 应用, ±10±10, -20°C ~ 70°C, 2.0x1.6x0.45mm</i>										
100	8pF	24.000000	XC1543CT-ND	3.87	3.49	2.91	2.33	XC1543TR-ND	1935.00	ECS-240-8-37CKM
100	8pF	26.000000	XC1545CT-ND	3.87	3.49	2.91	2.33	XC1545TR-ND	1935.00	ECS-260-8-37CKM
100	8pF	27.000000	XC1546CT-ND	3.87	3.49	2.91	2.33	XC1546TR-ND	1935.00	ECS-270-8-37CKM
100	8pF	32.000000	XC1547CT-ND	3.87	3.49	2.91	2.33	XC1547TR-ND	1935.00	ECS-320-8-37CKM
100	8pF	40.000000	XC1549CT-ND	3.87	3.49	2.91	2.33	XC1549TR-ND	1935.00	ECS-400-8-37CKM

D

32.768kHz 晶体和振荡器

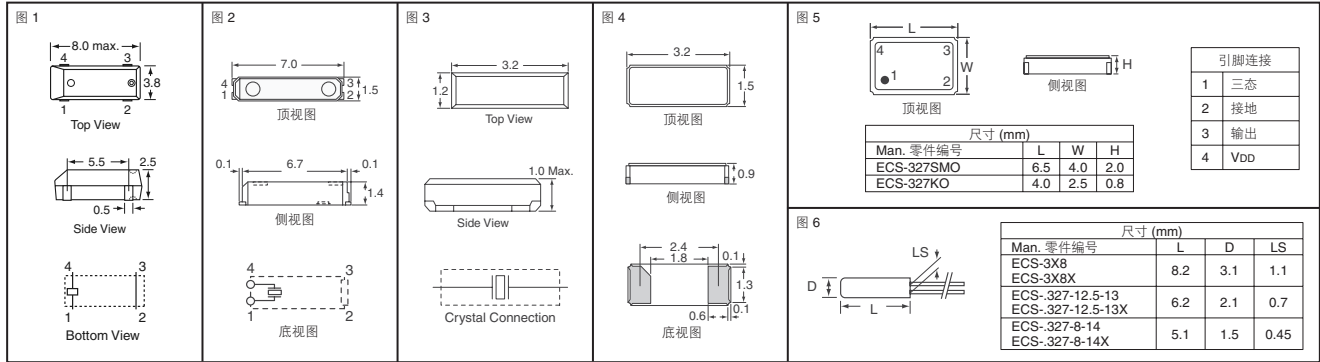


图	最大 ESR (Ω)	负载电容 (pF)	Digi-Key 零件编号	剪切带 单价				Digi-Key 零件编号	带卷		ECS 零件编号
				1	10	100	数量		价格		
<i>表面贴装晶体</i>											
1	50k	6.0	XC746CT-ND	1.08	.90	.72	XC746TR-ND	3,000	560.00/M	ECS-327-6-17-TR	
	50k	6.0	XC1307CT-ND◆	1.08	.90	.72	XC1307TR-ND◆	3,000	560.00/M	ECS-327-6-17X-TR	
	50k	12.5	XC488CT-ND	1.08	.90	.72	XC488TR-ND	3,000	560.00/M	ECS-327-12.5-17-TR	
	50k	12.5	XC1195CT-ND◆	1.08	.90	.72	XC1195TR-ND◆	3,000	560.00/M	ECS-327-12.5-17X-TR	
	2	65k	12.5	XC1616CT-ND◆	.90	.81	.68	XC1616TR-ND◆	3,000	450.00/M	ECS-327-12.5-38
3	50k	12.5	XC1085CT-ND◆	4.47	4.03	3.36	—	—	—	ECS-327-12.5-32-TR	
4	70k	12.5	XC1617CT-ND◆	1.26	1.14	.95	XC1617TR-ND◆	3,000	630.00/M	ECS-327-12.5-34B	
<i>表面贴装振荡器 - 符合 RoHS 规范要求</i>											
5	—	—	XC777CT-ND	6.74	5.52	4.90	XC777TR-ND	2,000	3430.00/M	ECS-327SMO-TR	
	—	—	XC1489CT-ND	7.17	6.46	5.38	XC1489TR-ND	1,000	3585.00	ECS-327KO-TR	
<i>圆柱型晶体</i>											
6	35k	12.5	X801-ND†	.30	.27	.22	—	—	—	ECS-3X8	
	35k	12.5	X1123-ND†◆	.30	.27	.22	—	—	—	ECS-3X8X	
	35k	12.5	X802-ND†	.30	.27	.22	—	—	—	ECS-327-12.5-13	
	35k	12.5	X1124-ND†◆	.30	.27	.22	—	—	—	ECS-327-12.5-13X	
	40k	8.0	X803-ND†	2.63	2.37	1.89	—	—	—	ECS-327-8-14	
	40k	8.0	X1125-ND†◆	.63	.57	.45	—	—	—	ECS-327-8-14X	

◆ 符合 RoHS 规范要求 † 散装

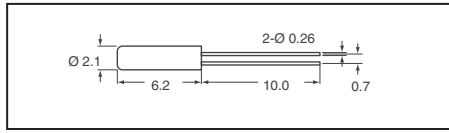
全部产品均以美元计价。 免费电话: 10800-1527031 (China Telecom - 中国电讯) — 10800-8527031 (CNCG - 中国网通)



石英晶体 - ECS-31 系列

技术规格:

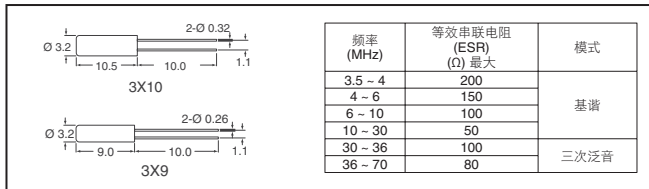
• 频率公差: 在 25°C 时为 ±30ppm • 温度系数: 0.034ppm/°C • 工作温度: -10°C ~ 60°C • 存储温度: -40°C ~ 85°C • 等效串联电阻 (ESR): 最大 30kΩ ~ 50kΩ • 并联电容: 0.8pF ~ 1.7pF • 驱动电平: 最大 1μW • 绝缘电阻: 最小 500MΩ/DC 100V±15V • 老化 (第一年): 在 25°C±3°C 时最大 ±5ppm



频率 (kHz)	负载电容	Digi-Key 零件编号	单价				ECS 零件编号
			1	10	100	500	
ECS-31							
32.000	12.5pF	XC972-ND	.83	.75	.60	.53	ECS-320-12.5-13
40.000	12.5pF	XC973-ND	.83	.75	.60	.53	ECS-400-12.5-13
60.000	12.5pF	XC974-ND	.83	.75	.60	.53	ECS-600-12.5-13
65.536	12.5pF	XC975-ND	.83	.75	.60	.53	ECS-655-12.5-13
75.000	12.5pF	XC976-ND	.83	.75	.60	.53	ECS-750-12.5-13
100.000	12.5pF	XC977-ND	.83	.75	.60	.53	ECS-1.00-12.5-13
125.000	12.5pF	XO999-ND	.83	.75	.60	.53	ECS-1.25-12.5-13
153.600	12.5pF	XC978-ND	.83	.75	.60	.53	ECS-1.536-12.5-13
ECS-31X - 符合 RoHS 规范要求							
32.000	12.5pF	XG1392-ND	.83	.75	.60	.53	ECS-320-12.5-13X
65.536	12.5pF	XC1393-ND	.83	.75	.60	.53	ECS-655-12.5-13X
100.000	12.5pF	XC1394-ND	.83	.75	.60	.53	ECS-1.00-12.5-13X
153.600	12.5pF	XC1395-ND	.83	.75	.60	.53	ECS-1.536-12.5-13X

石英晶体 - 高频微型

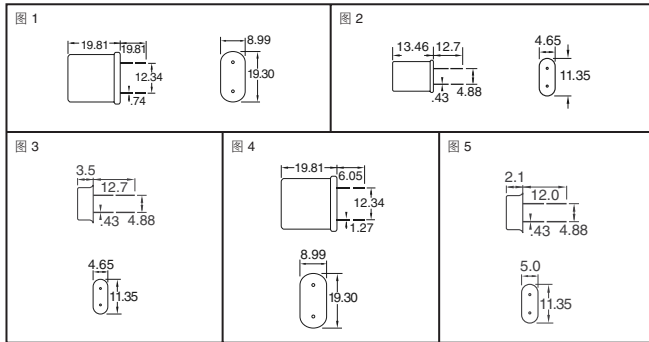
技术规格: • 频率公差: 在 25°C 及工作温度范围内为 ±50ppm • 工作温度: -10°C ~ 60°C • 存储温度: -40°C ~ 85°C • 负载电容: 18.0pF • 并联电容: 最大 5pF • 驱动电平: 50μW ~ 100μW • 绝缘电阻: 最小 500MΩ/DC 100V±5 • 老化 (第一年): 在 25°C±3°C 时最大 ±5ppm



频率 (MHz)	Digi-Key 零件编号	单价				ECS 零件编号
		1	10	100	500	
ECS-3X10						
3.579545	XC944-ND	.73	.66	.53	.47	ECS-35-18-10
3.686400	XC945-ND	.73	.66	.53	.47	ECS-36-18-10
4.000000	XC946-ND	.73	.66	.53	.47	ECS-40-18-10
4.915200	XC947-ND	.73	.66	.53	.47	ECS-49-18-10
6.000000	XC948-ND	.73	.66	.53	.47	ECS-60-18-10
7.372810	XC949-ND	.73	.66	.53	.47	ECS-73-18-10
8.000000	XC950-ND	.73	.66	.53	.47	ECS-80-18-10
ECS-3X10X - 符合 RoHS 规范要求						
3.579545	XC1371-ND	.73	.66	.53	.47	ECS-35-18-10X
3.686400	XC1372-ND	.73	.66	.53	.47	ECS-36-18-10X
4.000000	XC1373-ND	.73	.66	.53	.47	ECS-40-18-10X
4.915200	XC1374-ND	.73	.66	.53	.47	ECS-49-18-10X
6.000000	XC1375-ND	.73	.66	.53	.47	ECS-60-18-10X
7.372810	XC1376-ND	.73	.66	.53	.47	ECS-73-18-10X
8.000000	XC1377-ND	.73	.66	.53	.47	ECS-80-18-10X

频率 (MHz)	Digi-Key 零件编号	单价				ECS 零件编号
		1	10	100	500	
ECS-3X9						
8.192000	XC951-ND	.73	.66	.53	.47	ECS-81.92-18-9
9.830400	XC952-ND	.73	.66	.53	.47	ECS-98.3-18-9
10.000000	XC953-ND	.73	.66	.53	.47	ECS-100-18-9
11.059200	XC954-ND	.73	.66	.53	.47	ECS-110.5-18-9
12.000000	XC955-ND	.73	.66	.53	.47	ECS-120-18-9
14.318180	XC956-ND	.73	.66	.53	.47	ECS-143-18-9
14.745600	XC957-ND	.73	.66	.53	.47	ECS-147.4-18-9
16.000000	XC958-ND	.73	.66	.53	.47	ECS-160-18-9
18.432000	XC959-ND	.73	.66	.53	.47	ECS-184-18-9
19.660800	XC960-ND	.73	.66	.53	.47	ECS-196.6-18-9
20.000000	XC961-ND	.73	.66	.53	.47	ECS-200-18-9
24.000000	XC962-ND	.73	.66	.53	.47	ECS-240-18-9
24.576000	XC963-ND	.73	.66	.53	.47	ECS-245.7-18-9
25.000000	XC964-ND	.73	.66	.53	.47	ECS-250-18-9
27.000000	XC965-ND	.73	.66	.53	.47	ECS-270-18-9
32.000000	XC966-ND	.73	.66	.53	.47	ECS-320-18-9-F
32.768000	XC967-ND	.73	.66	.53	.47	ECS-327-18-9-F
40.000000	XC968-ND	.73	.66	.53	.47	ECS-400-18-10-30T
50.000000	XC969-ND	.73	.66	.53	.47	ECS-500-18-9-30T
ECS-3X9X - 符合 RoHS 规范要求						
10.000000	XC1378-ND	.73	.66	.53	.47	ECS-100-18-9X
11.059200	XC1379-ND	.73	.66	.53	.47	ECS-110.5-18-9X
12.000000	XC1380-ND	.73	.66	.53	.47	ECS-120-18-9X
14.318180	XC1381-ND	.73	.66	.53	.47	ECS-143-18-9X
14.745600	XC1382-ND	.73	.66	.53	.47	ECS-147.4-18-9X
16.000000	XC1383-ND	.73	.66	.53	.47	ECS-160-18-9X
18.432000	XC1384-ND	.73	.66	.53	.47	ECS-184-18-9X
19.660800	XC1385-ND	—	—	—	—	ECS-196.6-18-9X
20.000000	XC1386-ND	.73	.66	.53	.47	ECS-200-18-9X
24.576000	XC1387-ND	.73	.66	.53	.47	ECS-245.7-18-9X
25.000000	XC1388-ND	.73	.66	.53	.47	ECS-250-18-9X
27.000000	XC1389-ND	.73	.66	.53	.47	ECS-270-18-9X
32.000000	XC1390-ND	.73	.66	.53	.47	ECS-320-18-9X-F
32.768000	XC1391-ND	—	—	—	—	ECS-327-18-9X-F

通孔型石英晶体



HC-49U

• 在 25°C 时的频率公差: ±30ppm • 频率稳定性: ±50ppm • 并联电容: 最大 7pF • 驱动电平: 1800 ~ 3.000MHz 200μW; 3.000 ~ 100.000MHz 100μW • 工作温度: -10°C ~ 70°C • 存储温度: -30°C ~ 85°C • 老化特性 (第一年): 在 25°C 时为 ±5ppm • 工作模式: 除非注明, 否则均为基谱

HC-49US

• 在 25°C 时的频率公差: ±30ppm • 在 25°C 时的频率稳定性: 标准 -10°C ~ 70°C ±50ppm • 并联电容: 最大 7pF • 驱动电平: 500μW • 工作温度: -10°C ~ 70°C • 存储温度: -40°C ~ 105°C • 老化特性 (第一年): 在 25°C 时为 ±5ppm • 工作模式: 除非注明, 否则均为基谱

HC-49US-DN

• 在 25°C 时的频率公差: ±30ppm • 在 25°C 时的频率稳定性: -40°C ~ 85°C, ±100ppm • 并联电容: 最大 7pF • 驱动电平: 500μW • 工作温度: -40°C ~ 85°C • 存储温度: -40°C ~ 105°C • 在 25°C±3°C 时的老化特性 (每年): 最大 ±5ppm • 工作模式: 除非注明, 否则均为基谱

HC-49US5

• 在 25°C 时的频率公差: ±30ppm • 频率稳定性: ±50ppm • 并联电容: 最大 5pF • 驱动电平: 500μW • 工作温度: -10°C ~ 70°C • 存储温度: -40°C ~ 105°C • 在 25°C±3°C 时的老化特性 (每年): 最大 ±5ppm • 工作模式: 除非注明, 否则均为基谱

HC49INS-ND 底座绝缘体	90/10	7.50/100
------------------	-------	----------

图	频率 (MHz)	负载电容	Digi-Key 零件编号	单价				ECS 零件编号
				1	10	100	500	
HC-64								
1	2.949120	32pF	X014-ND	1.37	1.14	.91	.70	ECS-29.4-32-2P
HC-49U								
2	1.000000	13pF	X066B-ND*	17.88	14.85	8.09	7.54	ECS-10-13-1H
	1.843200	系列	X002-ND	1.95	1.62	1.29	1.00	ECS-18-S-1
	1.843200	13pF	X067-ND	1.95	1.62	1.29	1.00	ECS-18-13-1
	2.000000	系列	X004-ND	1.95	1.62	1.29	1.00	ECS-20-S-1
	2.000000	20pF	X068-ND	1.95	1.62	1.29	1.00	ECS-20-20-1
	2.048000	12pF	X098-ND	1.95	1.62	1.29	1.00	ECS-20.48-12-1
	2.457600	32pF	X069-ND	1.63	1.35	1.08	.83	ECS-24-32-1
	2.500000	系列	X070-ND	1.63	1.35	1.08	.83	ECS-25-S-1
	3.000000	系列	X009-ND	1.63	1.35	1.08	.83	ECS-30-S-1
	3.276800	17pF	X022-ND	.65	.54	.43	.34	ECS-32-17-1
	3.579550	系列	X011-ND	.40	.36	.32	.29	ECS-35-S-1

图	频率 (MHz)	负载电容	Digi-Key 零件编号	单价				ECS 零件编号
				1	10	100	500	
2	3.579550	17pF	X049-ND	.40	.36	.32	.29	ECS-35-17-1
	3.686400	系列	X080-ND	.40	.36	.32	.29	ECS-36-S-1
	3.686400	18pF	X071-ND	.40	.36	.32	.29	ECS-36-18-1
	3.932160	17pF	X013-ND	.40	.36	.32	.29	ECS-39-17-1
	4.000000	系列	X081-ND	.40	.36	.32	.29	ECS-40-S-1
	4.000000	20pF	X006-ND	.40	.36	.32	.29	ECS-40-20-1
	4.032000	系列	X015-ND	.40	.36	.32	.29	ECS-40.3-S-1
	4.032000	20pF	X072-ND	.40	.36	.32	.29	ECS-40.3-20-1
	4.096000	20pF	X082-ND	.40	.36	.32	.29	ECS-41-20-1
	4.194300	12pF	X007-ND	.40	.36	.32	.29	ECS-42-12-1
	4.433620	20pF	X083-ND	.40	.36	.32	.29	ECS-44-20-1
	4.915200	系列	X050-ND	.40	.36	.32	.29	ECS-49-S-1
4.915200	20pF	X084-ND	.40	.36	.32	.29	ECS-49-20-1	
5.000000	系列	X099-ND	.40	.36	.32	.29	ECS-50-S-1	
5.000000	20pF	X051-ND	.40	.36	.32	.29	ECS-50-20-1	

* 1.0 频率: 在 25°C 时为 100ppm; 从 0°C 至 60°C 为 ±100ppm † 三次泛音

(转下页)

全部产品均以美元计价。 免费电话: 10800-1527031 (China Telecom - 中国电讯) — 10800-8527031 (CNCG - 中国网通)

digikkey.com.cn — 电话: (852) 3104 0500 — 传真: (852) 3104 0686

(CN082-09) 1479

D

图	频率 (MHz)	负载电容	Digi-Key 零件编号	单价				ECS 零件编号
				1	10	100	500	
2	5.068900	系列	X052-ND	.40	.36	.32	.29	ECS-51-S-1
	5.068800	20pF	X085-ND	.40	.36	.32	.29	ECS-51-20-1
	5.185000	系列	X053-ND	.40	.36	.32	.29	ECS-52-S-1
	5.185000	32pF	X016-ND	.40	.36	.32	.29	ECS-52-32-1
	5.990400	系列	X073-ND	.40	.36	.32	.29	ECS-59-S-1
	5.990400	20pF	X017-ND	.40	.36	.32	.29	ECS-59-20-1
	6.000000	系列	X026-ND	.40	.36	.32	.29	ECS-60-S-1
	6.000000	32pF	X086-ND	.40	.36	.32	.29	ECS-60-32-1
	6.144000	32pF	X054-ND	.40	.36	.32	.29	ECS-61-32-1
	6.553600	12pF	X018-ND	.40	.36	.32	.29	ECS-65-12-1
	7.372800	系列	X074-ND	.40	.36	.32	.29	ECS-73-S-1
	7.372800	20pF	X019-ND	.40	.36	.32	.29	ECS-73-20-1
	7.680000	20pF	X020-ND	.40	.36	.32	.29	ECS-76.8-20-1
	8.000000	系列	X056-ND	.40	.36	.32	.29	ECS-80-S-1
	8.000000	18pF	X100-ND	.40	.36	.32	.29	ECS-80-18-1
	8.000000	20pF	X021-ND	.40	.36	.32	.29	ECS-80-20-1
	8.000000	32pF	X137-ND	.40	.36	.32	.29	ECS-80-32-1
	9.216000	系列	X075-ND	.40	.36	.32	.29	ECS-92.1-S-1
	9.216000	20pF	X138-ND	.40	.36	.32	.29	ECS-92.1-20-1
	9.830400	系列	X023-ND	.40	.36	.32	.29	ECS-98.3-S-1
	9.830400	20pF	X074-ND	.40	.36	.32	.29	ECS-98.3-20-1
	10.000000	系列	X057-ND	.40	.36	.32	.29	ECS-100-S-1
	10.738640	系列	X024-ND	.40	.36	.32	.29	ECS-107.3-S-1
	11.000000	系列	X088-ND	.40	.36	.32	.29	ECS-110-S-1
	11.046000	系列	X025-ND	.40	.36	.32	.29	ECS-110.4-S-1
	11.059200	系列	X078-ND	.40	.36	.32	.29	ECS-110.5-S-1
	11.059200	20pF	X089-ND	.40	.36	.32	.29	ECS-110.5-20-1
	11.059200	32pF	X139-ND	.40	.36	.32	.29	ECS-110.5-32-1
	11.228000	系列	X028-ND	.40	.36	.32	.29	ECS-112.2-S-1
	11.520000	系列	X140-ND	.40	.36	.32	.29	ECS-115.2-S-1
	11.981350	系列	X029-ND	.40	.36	.32	.29	ECS-119.8-S-1
	12.000000	系列	X058-ND	.40	.36	.32	.29	ECS-120-S-1
	12.000000	32pF	X030-ND	.40	.36	.32	.29	ECS-120-32-1
	12.000390	18pF	X147-ND	.40	.36	.32	.29	ECS-120.003-18-1
	12.096000	系列	X031-ND	.40	.36	.32	.29	ECS-121-S-1
	12.288000	系列	X090-ND	.40	.36	.32	.29	ECS-122.8-S-1
	12.288000	20pF	X141-ND	.40	.36	.32	.29	ECS-122.8-20-1
	13.516800	系列	X032-ND	.40	.36	.32	.29	ECS-135-S-1
	14.318180	系列	X091-ND	.40	.36	.32	.29	ECS-143-S-1
	14.690000	系列	X033-ND	.40	.36	.32	.29	ECS-146-S-1
	14.745600	系列	X092-ND	.40	.36	.32	.29	ECS-147.4-S-1
	14.745600	20pF	X142-ND	.40	.36	.32	.29	ECS-147.4-20-1
	15.000000	系列	X059-ND	.40	.36	.32	.29	ECS-150-S-1
	16.000000	系列	X077-ND	.40	.36	.32	.29	ECS-160-S-1
	16.000000	20pF	X143-ND	.40	.36	.32	.29	ECS-160-20-1
16.000310	18pF	X148-ND	.40	.36	.32	.29	ECS-160.003-18-1	
18.000000	系列	X060-ND	.40	.36	.32	.29	ECS-180-S-1	
18.000000	20pF	X144-ND	.40	.36	.32	.29	ECS-180-20-1	
18.432000	系列	X061-ND	.40	.36	.32	.29	ECS-184-S-1	
18.432000	18pF	X145-ND	.40	.36	.32	.29	ECS-184-18-1	
18.432000	20pF	X146-ND	.40	.36	.32	.29	ECS-184-20-1	
19.660800	系列	X094-ND	.40	.36	.32	.29	ECS-196.6-S-1	
19.660800	20pF	X035-ND	.40	.36	.32	.29	ECS-196.6-20-1	
20.000000	系列	X062-ND	.40	.36	.32	.29	ECS-200-S-1	
20.000000	20pF	X036-ND	.40	.36	.32	.29	ECS-200-20-1	
22.118400	系列	X063-ND	.40	.36	.32	.29	ECS-221-S-1	
24.000000	系列	X095-ND	.40	.36	.32	.29	ECS-240-S-1	
24.000000	20pF	X037-ND	.40	.36	.32	.29	ECS-240-20-1	
24.000100	18pF	X149-ND	.40	.36	.32	.29	ECS-240.001-18-1	
35.251200	18pF	X151-ND†	.50	.45	.36	.32	ECS-352.5-18-1	
38.000530	18pF	X150-ND†	.50	.45	.36	.32	ECS-380.005-18-1	
40.320000	18pF	X152-ND†	.50	.45	.36	.32	ECS-403.2-18-1	
48.000000	系列	X065-ND†	.40	.36	.32	.29	ECS-480-S-1	
48.000000	20pF	XC943-ND†	.50	.45	.36	.32	ECS-480-20-1	
49.860000	20pF	X038-ND†	.40	.36	.32	.29	ECS-498.6-20-1	
HC-49UX - 符合 RoHS 规范要求								
2	1.000000	13pF	X999-ND*	17.88	14.85	8.09	7.54	ECS-10-13-1XH
	1.843200	系列	X969-ND	1.95	1.62	1.29	1.00	ECS-18-S-1X
	1.843200	13pF	X1000-ND	1.95	1.62	1.29	1.00	ECS-18-13-1X
	2.000000	系列	X970-ND	1.95	1.62	1.29	1.00	ECS-20-S-1X
	2.000000	20pF	X1001-ND	1.95	1.62	1.29	1.00	ECS-20-20-1X
	2.048000	12pF	X1025-ND	1.95	1.62	1.29	1.00	ECS-20.48-12-1X
	2.457600	32pF	X1002-ND	1.63	1.35	1.08	.83	ECS-24-32-1X
	2.500000	系列	X1003-ND	1.63	1.35	1.08	.83	ECS-25-S-1X
	3.000000	系列	X973-ND	1.63	1.35	1.08	.83	ECS-30-S-1X
	3.276800	17pF	X980-ND	.65	.54	.43	.34	ECS-32-17-1X
	3.579550	系列	X974-ND	.40	.36	.32	.29	ECS-35-S-1X
	3.579550	17pF	X987-ND	.40	.36	.32	.29	ECS-35-17-1X
	3.686400	系列	X1010-ND	.40	.36	.32	.29	ECS-36-S-1X
	3.686400	18pF	X1004-ND	.40	.36	.32	.29	ECS-36-18-1X
	3.932160	17pF	X975-ND	.40	.36	.32	.29	ECS-39-17-1X
	4.000000	系列	X1011-ND	.40	.36	.32	.29	ECS-40-S-1X
	4.000000	20pF	X971-ND	.40	.36	.32	.29	ECS-40-20-1X
	4.032000	系列	X976-ND	.40	.36	.32	.29	ECS-40.3-S-1X
	4.032000	20pF	X1005-ND	.40	.36	.32	.29	ECS-40.3-20-1X
	4.096000	20pF	X1012-ND	.40	.36	.32	.29	ECS-41-20-1X

图	频率 (MHz)	负载电容	Digi-Key 零件编号	单价				ECS 零件编号
				1	10	100	500	
2	4.194300	12pF	X972-ND	.40	.36	.32	.29	ECS-42-12-1X
	4.433620	20pF	X1013-ND	.40	.36	.32	.29	ECS-44-20-1X
	4.915200	系列	X988-ND	.40	.36	.32	.29	ECS-49-S-1X
	4.915200	20pF	X1014-ND	.40	.36	.32	.29	ECS-49-20-1X
	5.000000	系列	X1026-ND	.40	.36	.32	.29	ECS-50-S-1X
	5.000000	20pF	X989-ND	.40	.36	.32	.29	ECS-50-20-1X
	5.068800	系列	X990-ND	.40	.36	.32	.29	ECS-51-S-1X
	5.068800	20pF	X1015-ND	.40	.36	.32	.29	ECS-51-20-1X
	6.000000	系列	X982-ND	.40	.36	.32	.29	ECS-60-S-1X
	6.000000	32pF	X1016-ND	.40	.36	.32	.29	ECS-60-32-1X
	6.553600	12pF	X977-ND	.40	.36	.32	.29	ECS-65-12-1X
	7.372800	系列	X1006-ND	.40	.36	.32	.29	ECS-73-S-1X
	7.372800	20pF	X978-ND	.40	.36	.32	.29	ECS-73-20-1X
	8.000000	系列	X991-ND	.40	.36	.32	.29	ECS-80-S-1X
	8.000000	18pF	X1027-ND	.40	.36	.32	.29	ECS-80-18-1X
	8.000000	20pF	X979-ND	.40	.36	.32	.29	ECS-80-20-1X
	8.000000	32pF	X1028-ND	.40	.36	.32	.29	ECS-80-32-1X
	9.216000	系列	X1007-ND	.40	.36	.32	.29	ECS-92.1-S-1X
	9.216000	20pF	X1029-ND	.40	.36	.32	.29	ECS-92.1-20-1X
	9.830400	系列	X981-ND	.40	.36	.32	.29	ECS-98.3-S-1X
	9.830400	20pF	X1017-ND	.40	.36	.32	.29	ECS-98.3-20-1X
	10.000000	系列	X992-ND	.40	.36	.32	.29	ECS-100-S-1X
	11.000000	系列	X1018-ND	.40	.36	.32	.29	ECS-110-S-1X
	11.059200	系列	X1009-ND	.40	.36	.32	.29	ECS-110.5-S-1X
	11.059200	20pF	X1019-ND	.40	.36	.32	.29	ECS-110.5-20-1X
	11.059200	32pF	X1030-ND	.40	.36	.32	.29	ECS-110.5-32-1X
	12.000000	系列	X993-ND	.40	.36	.32	.29	ECS-120-S-1X
	12.000000	32pF	X983-ND	.40	.36	.32	.29	ECS-120-32-1X
	12.288000	系列	X1020-ND	.40	.36	.32	.29	ECS-122.8-S-1X
	12.288000	20pF	X1031-ND	.40	.36	.32	.29	ECS-122.8-20-1X
	14.318180	系列	X1021-ND	.40	.36	.32	.29	ECS-143-S-1X
	14.745600	系列	X1022-ND	.40	.36	.32	.29	ECS-147.4-S-1X
	14.745600	20pF	X1032-ND	.40	.36	.32	.29	ECS-147.4-20-1X
	15.000000	系列	X994-ND	.40	.36	.32	.29	ECS-150-S-1X
	16.000000	系列	X1008-ND	.40	.36	.32	.29	ECS-160-S-1X
	16.000000	20pF	X1033-ND	.40	.36	.32	.29	ECS-160-20-1X
	18.000000	20pF	X1034-ND	.40	.36	.32	.29	ECS-180-20-1X
	18.432000	系列	X995-ND	.40	.36	.32	.29	ECS-184-S-1X
	18.432000	18pF	X1035-ND	.40	.36	.32	.29	ECS-184-18-1X
	18.432000	20pF	X1036-ND	.40	.36	.32	.29	ECS-184-20-1X
	19.660800	系列	X1023-ND	.40	.36	.32	.29	ECS-196.6-S-1X
	19.660800	20pF	X984-ND	.40	.36	.32	.29	ECS-196.6-20-1X
	20.000000	系列	X996-ND	.40	.36	.32	.29	ECS-200-S-1X
	20.000000	20pF	X985-ND	.40	.36	.32	.29	ECS-200-20-1X
	22.118400	系列	X997-ND	.40	.36	.32	.29	ECS-221-S-1X
24.000000	系列	X1024-ND	.40	.36	.32	.29	ECS-240-S-1X	
24.000000	20pF	X986-ND	.40	.36	.32	.29	ECS-240-20-1X	
48.000000	系列	X998-ND†	.40	.36	.32	.29	ECS-480-S-1X	
HC-49US								
3	3.579550	系列	X153-ND	.58	.52	.42	.37	ECS-35-S-4
	3.579550	17pF	X079-ND	.58	.52	.42	.37	ECS-35-17-4
	3.686400	系列	X403-ND	.58	.52	.42	.37	ECS-36-S-4
	3.686400	18pF	X402-ND	.58	.52	.42	.37	ECS-36-18-4
	4.000000	系列	X404-ND	.58	.52	.42	.37	ECS-40-S-4
	4.000000	20pF	X405-ND	.58	.52	.42	.37	ECS-40-20-4
	4.032000	系列	X155-ND	.58	.52	.42	.37	ECS-40.3-S-4
	4.032000	20pF	X154-ND	.58	.52	.42	.37	ECS-40.3-20-4
	4.096000	20pF	X156-ND	.58	.52	.42	.37	ECS-41-20-4
	4.194300	12pF	X406-ND	.58	.52	.42	.37	ECS-42-12-4
	4.194300	16pF	X157-ND	.58	.52	.42	.37	ECS-42-16-4
	4.433620	20pF	X407-ND	.58	.52	.42	.37	ECS-44-20-4
	4.915200	系列	X408-ND	.58	.52	.42	.37	ECS-49-S-4
	4.915200	20pF	X409-ND	.58	.52	.42	.37	ECS-49-20-4
	5.000000	系列	X158-ND	.58	.52	.42	.37	ECS-50-S-4
	5.000000	20pF	X410-ND	.58	.52	.42	.37	ECS-50-20-4
	5.068800	系列	X1					

图	频率 (MHz)	负载电容	Digi-Key 零件编号	单价				ECS 零件编号	
				1	10	100	500		
3	11.059200	20pF	X426-ND	.58	.52	.42	.37	ECS-110.5-20-4	
	11.059200	32pF	X170-ND	.58	.52	.42	.37	ECS-110.5-32-4	
	11.520000	系列	X171-ND	.58	.52	.42	.37	ECS-115.2-S-4	
	11.981350	系列	X427-ND	.58	.52	.42	.37	ECS-119.8-S-4	
	12.000000	系列	X428-ND	.58	.52	.42	.37	ECS-120-S-4	
	12.000000	20pF	X227-ND	.58	.52	.42	.37	ECS-120-20-4	
	12.000000	32pF	X172-ND	.58	.52	.42	.37	ECS-120-32-4	
	12.000390	18pF	X173-ND	.58	.52	.42	.37	ECS-120.003-18-4	
	12.096000	系列	X429-ND	.58	.52	.42	.37	ECS-121-S-4	
	12.288000	系列	X174-ND	.58	.52	.42	.37	ECS-122.8-S-4	
	12.288000	20pF	X228-ND	.58	.52	.42	.37	ECS-122.8-20-4	
	12.960000	18pF	X097-ND	.75	.63	.50	.39	ECS-129.6-18-4	
	14.318180	系列	X430-ND	.58	.52	.42	.37	ECS-143-S-4	
	14.318180	20pF	X444-ND	.58	.52	.42	.37	ECS-143-20-4	
	14.745600	系列	X431-ND	.58	.52	.42	.37	ECS-147.4-S-4	
	14.745600	20pF	X175-ND	.58	.52	.42	.37	ECS-147.4-20-4	
	15.000000	系列	X432-ND	.58	.52	.42	.37	ECS-150-S-4	
	15.360000	20pF	X096-ND	.75	.63	.50	.39	ECS-153-20-4	
	16.000000	系列	X433-ND	.58	.52	.42	.37	ECS-160-S-4	
	16.000000	20pF	X176-ND	.58	.52	.42	.37	ECS-160-20-4	
	16.000310	18pF	X177-ND	.58	.52	.42	.37	ECS-160.003-18-4	
	16.257000	系列	X434-ND	.58	.52	.42	.37	ECS-162.5-S-4	
	16.257000	20pF	X039-ND	.75	.63	.50	.39	ECS-162.5-20-4	
	18.000000	系列	X435-ND	.58	.52	.42	.37	ECS-180-S-4	
	18.000000	20pF	X178-ND	.58	.52	.42	.37	ECS-180-20-4	
	18.432000	系列	X436-ND	.58	.52	.42	.37	ECS-184-S-4	
	18.432000	18pF	X179-ND	.58	.52	.42	.37	ECS-184-18-4	
	18.432000	20pF	X180-ND	.58	.52	.42	.37	ECS-184-20-4	
	19.660800	系列	X437-ND	.58	.52	.42	.37	ECS-196.6-S-4	
	19.660800	20pF	X181-ND	.58	.52	.42	.37	ECS-196.6-20-4	
	20.000000	系列	X438-ND	.58	.52	.42	.37	ECS-200-S-4	
	20.000000	20pF	X439-ND	.58	.52	.42	.37	ECS-200-20-4	
	20.480000	20pF	X239-ND	.58	.52	.42	.37	ECS-204.8-20-4	
	21.477270	系列	X044-ND	.75	.63	.50	.39	ECS-214.7-S-4	
	22.118400	系列	X182-ND	.58	.52	.42	.37	ECS-221-S-4	
	24.000000	系列	X440-ND	.58	.52	.42	.37	ECS-240-S-4	
	24.000000	16pF	X441-ND	.58	.52	.42	.37	ECS-240-16-4	
	24.000000	20pF	X442-ND	.58	.52	.42	.37	ECS-240-20-4	
	24.000140	18pF	X183-ND	.58	.52	.42	.37	ECS-240.001-18-4	
	24.576000	20pF	X230-ND	.58	.52	.42	.37	ECS-245.7-20-4	
	25.000000	18pF	X231-ND	.58	.52	.42	.37	ECS-250-18-4-F	
	48.000000	20pF	XC942-ND	.58	.52	.42	.37	ECS-480-20-4	
	HC-49USX - 符合 RoHS 规范要求								
	3	3.579550	系列	X1086-ND	.58	.52	.42	.37	ECS-35-S-4X
		3.579550	17pF	X1085-ND	.58	.52	.42	.37	ECS-35-17-4X
		3.686400	系列	X1043-ND	.58	.52	.42	.37	ECS-36-S-4X
		3.686400	18pF	X1042-ND	.58	.52	.42	.37	ECS-36-18-4X
		4.000000	系列	X1044-ND	.58	.52	.42	.37	ECS-40-S-4X
4.000000		20pF	X1045-ND	.58	.52	.42	.37	ECS-40-20-4X	
4.032000		系列	X1088-ND	.58	.52	.42	.37	ECS-40.3-S-4X	
4.032000		20pF	X1087-ND	.58	.52	.42	.37	ECS-40.3-20-4X	
4.096000		20pF	X1089-ND	.58	.52	.42	.37	ECS-41-20-4X	
4.194300		12pF	X1046-ND	.58	.52	.42	.37	ECS-42-12-4X	
4.194300		16pF	X1090-ND	.58	.52	.42	.37	ECS-42-16-4X	
4.433620		20pF	X1047-ND	.58	.52	.42	.37	ECS-44-20-4X	
4.915200		系列	X1048-ND	.58	.52	.42	.37	ECS-49-S-4X	
4.915200		20pF	X1049-ND	.58	.52	.42	.37	ECS-49-20-4X	
5.000000		系列	X1091-ND	.58	.52	.42	.37	ECS-50-S-4X	
5.000000		20pF	X1050-ND	.58	.52	.42	.37	ECS-50-20-4X	
5.068800		20pF	X1051-ND	.58	.52	.42	.37	ECS-51-20-4X	
6.000000		系列	X1052-ND	.58	.52	.42	.37	ECS-60-S-4X	
6.000000		32pF	X1053-ND	.58	.52	.42	.37	ECS-60-32-4X	
6.144000		32pF	X1054-ND	.58	.52	.42	.37	ECS-61-32-4X	
6.500000		20pF	X1055-ND	.58	.52	.42	.37	ECS-65-20-4X	
7.372800		系列	X1056-ND	.58	.52	.42	.37	ECS-73-S-4X	
7.372800		20pF	X1084-ND	.75	.63	.50	.39	ECS-73-20-4X	
7.680000		20pF	X1092-ND	.58	.52	.42	.37	ECS-76.8-20-4X	
8.000000		系列	X1057-ND	.58	.52	.42	.37	ECS-80-S-4X	
8.000000		18pF	X1093-ND	.58	.52	.42	.37	ECS-80-18-4X	
8.000000		20pF	X1094-ND	.58	.52	.42	.37	ECS-80-20-4X	
8.000000		32pF	X1095-ND	.58	.52	.42	.37	ECS-80-32-4X	
8.500000		系列	X1058-ND	.58	.52	.42	.37	ECS-85-S-4X	
9.000000		系列	X1059-ND	.58	.52	.42	.37	ECS-90-S-4X	
9.216000		20pF	X1096-ND	.58	.52	.42	.37	ECS-92.1-20-4X	
9.830400		系列	X1060-ND	.58	.52	.42	.37	ECS-98.3-S-4X	
9.830400		20pF	X1097-ND	.58	.52	.42	.37	ECS-98.3-20-4X	
10.000000		系列	X1061-ND	.58	.52	.42	.37	ECS-100-S-4X	
10.000000		18pF	X1080-ND	.58	.52	.42	.37	ECS-100-18-4X	

图	频率 (MHz)	负载电容	Digi-Key 零件编号	单价				ECS 零件编号	
				1	10	100	500		
3	10.738640	系列	X1062-ND	.58	.52	.42	.37	ECS-107.3-S-4X	
	11.000000	系列	X1063-ND	.58	.52	.42	.37	ECS-110-S-4X	
	11.059200	系列	X1064-ND	.58	.52	.42	.37	ECS-110.5-S-4X	
	11.059200	20pF	X1065-ND	.58	.52	.42	.37	ECS-110.5-20-4X	
	11.059200	32pF	X1098-ND	.58	.52	.42	.37	ECS-110.5-32-4X	
	11.520000	系列	X1099-ND	.58	.52	.42	.37	ECS-115.2-S-4X	
	11.981350	系列	X1066-ND	.58	.52	.42	.37	ECS-119.8-S-4X	
	12.000000	系列	X1067-ND	.58	.52	.42	.37	ECS-120-S-4X	
	12.000000	20pF	X1037-ND	.58	.52	.42	.37	ECS-120-20-4X	
	12.000000	32pF	X1100-ND	.58	.52	.42	.37	ECS-120-32-4X	
	12.288000	系列	X1101-ND	.58	.52	.42	.37	ECS-122.8-S-4X	
	12.288000	20pF	X1038-ND	.58	.52	.42	.37	ECS-122.8-20-4X	
	12.960000	18pF	X1083-ND	.75	.63	.50	.39	ECS-129.6-18-4X	
	14.318180	系列	X1068-ND	.58	.52	.42	.37	ECS-143-S-4X	
	14.318180	20pF	X1081-ND	.58	.52	.42	.37	ECS-143-20-4X	
	14.745600	系列	X1069-ND	.58	.52	.42	.37	ECS-147.4-S-4X	
	14.745600	20pF	X1102-ND	.58	.52	.42	.37	ECS-147.4-20-4X	
	15.000000	系列	X1070-ND	.58	.52	.42	.37	ECS-150-S-4X	
	15.360000	20pF	X1082-ND	.75	.63	.50	.39	ECS-153-20-4X	
	16.000000	系列	X1071-ND	.58	.52	.42	.37	ECS-160-S-4X	
	16.000000	20pF	X1103-ND	.58	.52	.42	.37	ECS-160-20-4X	
	16.000310	18pF	X1104-ND	.58	.52	.42	.37	ECS-160.003-18-4X	
	18.000000	系列	X1072-ND	.58	.52	.42	.37	ECS-180-S-4X	
	18.000000	20pF	X1105-ND	.58	.52	.42	.37	ECS-180-20-4X	
	18.432000	系列	X1073-ND	.58	.52	.42	.37	ECS-184-S-4X	
	18.432000	18pF	X1106-ND	.58	.52	.42	.37	ECS-184-18-4X	
	18.432000	20pF	X1107-ND	.58	.52	.42	.37	ECS-184-20-4X	
	19.660800	系列	X1074-ND	.58	.52	.42	.37	ECS-196.6-S-4X	
	19.660800	20pF	X1108-ND	.58	.52	.42	.37	ECS-196.6-20-4X	
	20.000000	系列	X1075-ND	.58	.52	.42	.37	ECS-200-S-4X	
	20.000000	20pF	X1076-ND	.58	.52	.42	.37	ECS-200-20-4X	
	20.480000	20pF	X1039-ND	.58	.52	.42	.37	ECS-204.8-20-4X	
	22.118400	系列	X1109-ND	.58	.52	.42	.37	ECS-221-S-4X	
	24.000000	系列	X1077-ND	.58	.52	.42	.37	ECS-240-S-4X	
	24.000000	12pF	XC1005-ND	.58	.52	.42	.37	ECS-240-12-4X	
	24.000000	16pF	X1078-ND	.58	.52	.42	.37	ECS-240-16-4X	
	24.000000	20pF	X1079-ND	.58	.52	.42	.37	ECS-240-20-4X	
	24.576000	20pF	X1040-ND	.58	.52	.42	.37	ECS-245.7-20-4X	
	25.000000	18pF	X1041-ND	.58	.52	.42	.37	ECS-250-18-4X-F	
	27.000000	18pF	XC1006-ND	.58	.52	.42	.37	ECS-270-18-4X-F	
	HC-49US-DN, 工业温度范围: -40°C - 85°C								
	3	3.579550	17pF	X184-ND	.80	.72	.58	.52	ECS-35-17-4DN
		3.686400	20pF	X185-ND	.80	.72	.58	.52	ECS-36-20-4DN
		4.000000	20pF	X186-ND	.80	.72	.58	.52	ECS-40-20-4DN
		6.000000	32pF	X187-ND	.80	.72	.58	.52	ECS-60-32-4DN
		7.372800	20pF	X188-ND	.80	.72	.58	.52	ECS-73-20-4DN
		8.000000	18pF	X189-ND	.80	.72	.58	.52	ECS-80-18-4DN
		12.000000	20pF	X190-ND	.80	.72	.58	.52	ECS-120-20-4DN
14.318180		20pF	X191-ND	.80	.72	.58	.52	ECS-143-20-4DN	
16.000000		20pF	X192-ND	.80	.72	.58	.52	ECS-160-20-4DN	
18.432000		20pF	X193-ND	.80	.72	.58	.52	ECS-184-20-4DN	
19.660800		20pF	X194-ND	.80	.72	.58	.52	ECS-196.6-20-4DN	
20.000000		20pF	X195-ND	.80	.72	.58	.52	ECS-200-20-4DN	
24.000000	20pF	X196-ND	.80	.72	.58	.52	ECS-240-20-4DN		
HC-49USX-DN, 工业温度范围: -40°C - 85°C - 符合 RoHS 规范要求									
3	3.579550	17pF	X1110-ND	.80	.72	.58	.52	ECS-35-17-4XDN	
	3.686400	20pF	X1111-ND	.80	.72	.58	.52	ECS-36-20-4XDN	
	4.000000	20pF	X1112-ND	.80	.72	.58	.52	ECS-40-20-4XDN	
	6.000000	32pF	X1113-ND	.80	.72	.58	.52	ECS-60-32-4XDN	
	7.372800	20pF	X1114-ND	.80	.72	.58	.52	ECS-73-20-4XDN	
	8.000000	18pF	X1115-ND	.80	.72	.58	.52	ECS-80-18-4XDN	
	12.000000	20pF	X1116-ND	.80	.72	.58	.52	ECS-120-20-4XDN	
	14.318180	20pF	X1117-ND	.80	.72	.58	.52	ECS-143-20-4XDN	
	16.000000	20pF	X1118-ND	.80	.72	.58	.52	ECS-160-20-4XDN	
	18.432000	20pF	X1119-ND	.80	.72	.58	.52	ECS-184-20-4XDN	
	19.660800	20pF	X1120-ND	.80	.72	.58	.52	ECS-196.6-20-4XDN	
	20.000000	20pF	X1121-ND	.80	.72	.58	.52	ECS-200-20-4XDN	
24.000000	20pF	X1122-ND	.80	.72	.58	.52	ECS-240-20-4XDN		
HC-6/U									
4	3.640000	32pF	X008-ND	1.24	1.03	.82	.64	ECS-36.4-32-2P	
	3.700000	32pF	X012-ND	1.24	1.03	.82	.64	ECS-37-32-2P	
HC-49USX 系列小尺寸 - 符合 RoHS 规范要求									