



2mm Milli-Grid™ 连接器 (接上页)



A

图	电路	尺寸 (mm)		Digi-Key 零件编号	价格			Molex 零件编号	
		A	B		1	10	100		
带罩直角接头									
4	10	12.65	8.00	WM18861-ND	1.50	13.19	87.95	87833-1020	
	12	14.65	10.00	WM18862-ND	1.79	15.82	105.45	87833-1220	
	14	16.65	12.00	WM18863-ND	2.10	18.51	123.39	87833-1420	
	16	18.65	14.00	WM18864-ND	2.40	21.14	140.90	87833-1620	
	18	20.65	16.00	WM18865-ND	2.69	23.76	158.40	87833-1820	
	20	22.65	18.00	WM18866-ND	2.99	26.38	175.88	87833-2020	
	22	24.65	20.00	WM18867-ND	3.30	29.08	193.85	87833-2220	
	24	26.65	22.00	WM18868-ND	3.59	31.70	211.35	87833-2420	
	30	32.65	28.00	WM18869-ND	4.49	39.57	263.83	87833-3020	
	40	42.65	38.00	WM18870-ND	5.99	52.84	352.25	87833-4020	
44	46.65	42.00	WM18871-ND	6.58	58.08	387.23	87833-4420		
	50	52.65	48.00	WM18872-ND	7.48	66.03	440.20	87833-5020	
带罩 SMT 接头									
4	4	6.65	2.00	WM18636-ND	1.43	12.64	84.27	87832-0420	
	6	8.65	4.00	WM18637-ND	1.79	15.80	105.35	87832-0620	
	8	10.65	6.00	WM18638-ND	1.96	17.26	115.05	87832-0820	
	10	12.65	8.00	WM18639-ND	2.00	17.62	117.48	87832-1020	
	12	14.65	10.00	WM18640-ND	2.23	19.69	131.26	87832-1220	
	14	16.65	12.00	WM18641-ND	2.41	21.27	141.80	87832-1420	
	16	18.65	14.00	WM18642-ND	2.64	23.34	155.58	87832-1620	
	18	20.65	16.00	WM18643-ND	3.13	27.65	184.34	87832-1820	
	20	22.65	18.00	WM18644-ND	3.03	26.74	178.28	87832-2020	
	22	24.65	20.00	WM18645-ND	3.66	32.33	215.53	87832-2220	
5	24	26.65	22.00	WM18646-ND	3.72	32.82	218.79	87832-2420	
	26	28.65	24.00	WM18718-ND	3.94	34.76	231.75	87832-2620	
	30	32.65	28.00	WM18647-ND	4.44	39.20	261.33	87832-3020	
	34	36.65	32.00	WM18719-ND	4.92	43.39	289.28	87832-3420	
	40	42.65	38.00	WM18648-ND	5.54	48.92	326.13	87832-4020	
	44	46.65	42.00	WM18649-ND	6.09	53.78	358.53	87832-4420	
	50	52.65	48.00	WM18650-ND	6.93	61.14	407.57	87832-5020	
	垂直 SMT 接头								
	4	4	3.90	2.00	WM18712-ND	.96	8.51	56.71	87759-0414
		6	5.90	4.00	WM18713-ND	1.39	12.27	81.83	87759-0614
8		7.90	6.00	WM18651-ND	2.32	20.50	136.64	87759-0850	
10		9.90	8.00	WM18652-ND	1.77	15.63	104.18	87759-1050	
12		11.90	10.00	WM18653-ND	2.07	18.23	121.55	87759-1250	
14		13.90	12.00	WM18654-ND	2.22	19.57	130.45	87759-1450	
16		15.90	14.00	WM18655-ND	2.42	21.39	142.61	87759-1650	
18		17.90	16.00	WM18656-ND	2.60	22.97	153.15	87759-1850	
20		19.90	18.00	WM18657-ND	2.75	24.31	162.05	87759-2050	
22		21.90	20.00	WM18658-ND	3.03	26.74	178.28	87759-2250	
6	24	23.90	22.00	WM18659-ND	3.15	27.78	185.22	87759-2450	
	26	25.90	24.00	WM18660-ND	3.58	31.60	210.66	87759-2650	
	28	27.90	26.00	WM18661-ND	3.86	34.03	226.88	87759-2850	
	30	29.90	28.00	WM18662-ND	3.93	34.64	230.95	87759-3050	
	32	31.90	30.00	WM18663-ND	4.19	36.95	246.33	87759-3250	
	34	33.90	32.00	WM18664-ND	4.45	39.26	261.72	87759-3450	
	36	35.90	34.00	WM18665-ND	4.71	41.57	277.12	87759-3650	
	38	37.90	36.00	WM18666-ND	4.96	43.76	291.71	87759-3850	
	40	39.90	38.00	WM18667-ND	10.72	94.56	630.38	87759-4050	
	42	41.90	40.00	WM18668-ND	5.21	45.94	306.27	87759-4250	
4	43.90	42.00	WM18669-ND	5.45	48.13	320.86	87759-4450		
	46	45.90	44.00	WM18670-ND	4.45	39.26	261.72	87759-4650	
	48	47.90	46.00	WM18671-ND	4.71	41.57	277.12	87759-4850	
	50	49.90	48.00	WM18672-ND	6.20	54.69	364.63	87759-5050	
	板到板垂直 插座, 双排通孔								
	4	4	4.19	2.00	WM18673-ND	1.75	15.44	102.90	79107-7001
6		6.19	4.00	WM18674-ND	1.99	17.57	117.10	79107-7002	
8		8.19	6.00	WM18675-ND	2.23	19.69	131.26	79107-7003	
10		10.19	8.00	WM18676-ND	2.47	21.81	145.43	79107-7004	
12		12.19	10.00	WM18677-ND	2.71	23.95	159.64	79107-7005	
14		14.19	12.00	WM18678-ND	2.89	25.52	170.17	79107-7006	
16		16.19	14.00	WM18679-ND	3.15	27.77	185.15	79107-7007	
18		18.19	16.00	WM18680-ND	3.39	29.90	199.32	79107-7008	
20		20.19	18.00	WM18681-ND	3.55	31.36	209.07	79107-7009	
22		22.19	20.00	WM18682-ND	3.71	32.75	218.36	79107-7010	
7	24	24.19	22.00	WM18683-ND	4.05	35.73	238.22	79107-7011	
	30	30.19	28.00	WM18684-ND	5.06	44.67	297.79	79107-7014	
	40	40.19	38.00	WM18685-ND	6.76	59.61	397.43	79107-7019	
	44	44.19	42.00	WM18686-ND	7.43	65.57	437.15	79107-7021	
	50	50.19	48.00	WM18687-ND	8.44	74.51	496.70	79107-7024	
	插座 - 侧面插入								
	8	8	8.20	6.00	WM19036-ND	2.59	22.84	152.25	87264-0852
		10	10.20	8.00	WM18137-ND	2.47	21.83	145.51	87264-1050
		10	10.20	8.00	WM19037-ND	2.83	25.01	166.70	87264-1052
		12	12.20	10.00	WM19038-ND	3.09	27.24	181.58	87264-1252
14		14.20	12.00	WM18139-ND	2.99	26.38	175.88	87264-1450	
14		14.20	12.00	WM19039-ND	3.33	29.40	196.03	87264-1452	
16		16.20	14.00	WM19040-ND	3.59	31.64	210.93	87264-1652	
18		18.20	16.00	WM18141-ND	3.35	29.53	196.84	87264-1850	
18		18.20	16.00	WM19041-ND	3.83	33.80	225.33	87264-1852	
20		20.20	18.00	WM19042-ND	4.08	36.03	240.20	87264-2052	
8	22	22.20	20.00	WM18143-ND	3.78	33.37	222.47	87264-2250	
	22	22.20	20.00	WM19043-ND	4.33	38.20	254.65	87264-2252	
	24	24.20	22.00	WM18144-ND	4.00	35.33	235.56	87264-2450	
	24	24.20	22.00	WM19044-ND	4.58	40.43	269.53	87264-2452	
	26	26.20	24.00	WM19045-ND	5.11	45.09	300.60	87264-2652	
	28	28.20	26.00	WM18146-ND	4.68	41.30	275.31	87264-2850	
	28	28.20	26.00	WM19046-ND	5.36	47.25	315.03	87264-2852	
	30	30.20	28.00	WM19047-ND	5.61	49.49	329.90	87264-3052	
	32	32.20	30.00	WM19048-ND	5.85	51.66	344.38	87264-3252	
	34	34.20	32.00	WM18149-ND	5.34	47.10	314.00	87264-3450	
8	34	34.20	32.00	WM19049-ND	6.11	53.88	359.23	87264-3452	
	36	36.20	34.00	WM19050-ND	6.35	56.05	373.65	87264-3652	
	38	38.20	36.00	WM18151-ND	5.77	50.95	339.68	87264-3850	
	38	38.20	36.00	WM19051-ND	6.60	58.28	388.53	87264-3852	
	40	40.20	38.00	WM19052-ND	6.85	60.45	402.98	87264-4052	
	42	42.20	40.00	WM18153-ND	6.20	54.74	364.96	87264-4250	
	42	42.20	40.00	WM19053-ND	7.10	62.61	417.43	87264-4252	
	44	44.20	42.00	WM19054-ND	7.35	64.85	432.30	87264-4452	
	46	46.20	44.00	WM18155-ND	6.69	58.99	393.29	87264-4650	

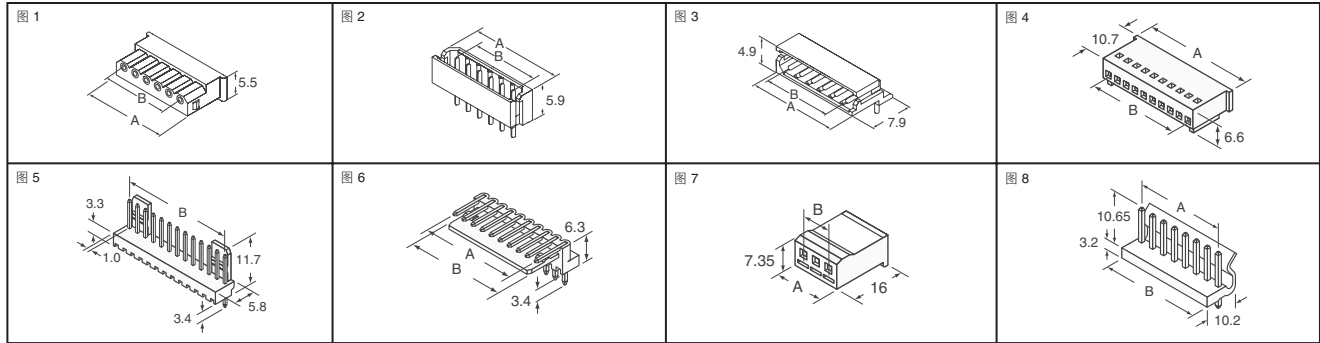
图	电路	尺寸 (mm)		Digi-Key 零件编号	价格			Molex 零件编号
		A	B		1	10	100	
8	46	46.20	44.00	WM19055-ND	7.59	67.01	446.70	87264-4652
	48	48.20	46.00	WM18156-ND	6.86	60.53	403.52	87264-4850
	48	48.20	46.00	WM19056-ND	7.85	69.24	461.60	87264-4852
	50	50.20	48.00	WM19057-ND	8.09	71.41	475.05	87264-5052
	插座 - 侧面插入 SMT							
9	10	10.20	8.00	WM19058-ND	4.06	35.85	239.03	87368-1024
	12	12.20	10.00	WM19059-ND	4.88	43.03	286.84	87368-1224
	14	14.20	12.00	WM18182-ND	4.84	42.72	284.80	87368-1420
	14	14.20	12.00	WM19060-ND	5.14	45.34	302.24	87368-1424
	16	16.20	14.00	WM19061-ND	5.37	47.40	316.03	87368-1624
	18	18.20	16.00	WM18184-ND	5.36	47.25	315.01	87368-1820
	18	18.20	16.00	WM19062-ND	5.68	50.13	334.23	87368-1824
	20	20.20	18.00	WM19063-ND	5.82	51.35	342.35	87368-2024
	22	22.20	20.00	WM18186-ND	5.57	49.15	327.67	87368-2220
	22	22.20	20.00	WM19064-ND	5.91	52.14	347.61	87368-2224
9	24	24.20	22.00	WM18187-ND	6.08	53.68	357.88	87368-2420
	24	24.20	22.00	WM19065-ND	6.45	56.88	379.20	87368-2424
	26	26.20	24.00	WM18188-ND	6.36	56.15	374.31	87368-2620
	26	26.20	24.00	WM19066-ND	6.75	59.56	397.05	87368-2624
	28	28.20	26.00	WM18189-ND	6.49	57.30	382.00	87368-2820
	28							



2.50mm 和 3.96mm SPOX™ 连接器



特点: • 2 - 15 电路规格 • 尺寸非常小 • 模入拉片 • 摩擦锁定 电气特性: • 电压: 250V • 电流: 最大 3A • 触点电阻: 最大 20mΩ • 电介质耐受电压: 1000VAC/1 分钟 • 绝缘电阻: 最小 1000MΩ 技术规格: • 壳体: 6/6尼龙, UL 94V-0 • 工作温度: -40°C - 105°C • UL 文件编号: E29179 • CAS 文件编号: LR19980



A

图	电路	尺寸 (mm)		Digi-Key 零件编号	价格			Molex 零件编号
		A	B		1	10	100	
SPOX 插座底座 2.50mm								
1	2	5.80	2.50	WM18873-ND	.34	3.00	19.98	50-37-5023
	3	8.30	5.00	WM18874-ND	.42	3.75	24.98	50-37-5033
	4	10.80	7.50	WM17405-ND	.51	4.49	29.95	50-37-5043
	5	13.30	10.00	WM18875-ND	.59	5.24	34.93	50-37-5053
	6	15.80	12.50	WM18876-ND	.68	5.99	39.90	50-37-5063
	7	18.30	15.00	WM18877-ND	.76	6.74	44.90	50-37-5073
	8	20.80	17.50	WM18878-ND	.85	7.48	49.88	50-37-5083
	9	23.30	20.00	WM18879-ND	.93	8.23	54.85	50-37-5093
	10	25.80	22.50	WM18880-ND	1.02	8.99	59.90	50-37-5103
	11	28.30	25.00	WM18881-ND	1.10	9.73	64.88	50-37-5113
	12	30.80	27.50	WM18882-ND	1.19	10.48	69.85	50-37-5123
	13	33.30	30.00	WM18883-ND	1.27	11.22	74.83	50-37-5133
	14	35.80	32.50	WM18884-ND	1.31	11.60	77.33	50-37-5143
	15	38.30	35.00	WM18885-ND	1.36	11.97	79.83	50-37-5153
	SPOX 垂直全罩 2.50mm							
2	2	7.40	2.50	WM18886-ND	.73	6.48	43.23	22-03-5025
	3	9.90	5.00	WM18887-ND	.89	7.89	52.58	22-03-5035
	4	12.40	7.50	WM18888-ND	1.05	9.29	61.93	22-03-5045
	5	14.90	10.00	WM18889-ND	1.20	10.56	70.40	22-03-5055
	6	17.40	12.50	WM18890-ND	1.35	11.90	79.33	22-03-5065
	7	19.90	15.00	WM18891-ND	1.50	13.23	88.23	22-03-5075
	8	22.40	17.50	WM18892-ND	1.66	14.64	97.60	22-03-5085
	9	24.90	20.00	WM18893-ND	1.82	16.04	106.95	22-03-5095
	10	27.40	22.50	WM18894-ND	1.98	17.45	116.30	22-03-5105
	11	29.90	25.00	WM18895-ND	2.13	18.78	125.23	22-03-5115
	12	32.40	27.50	WM18896-ND	2.28	20.12	134.13	22-03-5125
	13	34.90	30.00	WM18897-ND	2.42	21.39	142.60	22-03-5135
	14	37.40	32.50	WM18898-ND	2.58	22.80	151.98	22-03-5145
	15	39.90	35.00	WM18899-ND	2.75	24.26	161.75	22-03-5155
	SPOX 直角全罩 2.50mm							
3	2	7.40	2.50	WM18900-ND	.78	6.87	45.80	22-05-7025
	3	9.90	5.00	WM18901-ND	.90	7.96	53.08	22-05-7035
	4	12.40	7.50	WM18902-ND	1.05	9.24	61.59	22-05-7045
	5	14.90	10.00	WM18903-ND	1.18	10.45	69.68	22-05-7055
	6	17.40	12.50	WM18904-ND	1.32	11.61	77.38	22-05-7065
	7	19.90	15.00	WM18905-ND	1.46	12.88	85.90	22-05-7075
	8	22.40	17.50	WM18906-ND	1.60	14.10	94.00	22-05-7085
	9	24.90	20.00	WM18907-ND	1.73	15.25	101.69	22-05-7095
	10	27.40	22.50	WM18908-ND	1.87	16.47	109.80	22-05-7105
	11	29.90	25.00	WM18909-ND	2.01	17.75	118.30	22-05-7115
	12	32.40	27.50	WM18910-ND	2.14	18.90	126.00	22-05-7125
	13	34.90	30.00	WM18911-ND	2.28	20.12	134.10	22-05-7135
	14	37.40	32.50	WM18912-ND	2.42	21.33	142.23	22-05-7145
	15	39.90	35.00	WM18913-ND	2.55	22.49	149.92	22-05-7155
	SPOX 微型插座底座 2.50mm							
4	2	6.00	2.50	WM18769-ND	.30	2.61	17.42	22-01-1024
	3	8.50	5.00	WM18770-ND	.36	3.16	21.08	22-01-1034
	4	11.00	7.50	WM18771-ND	.42	3.71	24.70	22-01-1044
	5	13.50	10.00	WM18772-ND	.47	4.13	27.56	22-01-1054
	6	16.00	12.50	WM18773-ND	.52	4.62	30.78	22-01-1064
	7	18.50	15.00	WM18774-ND	.58	5.10	34.03	22-01-1074
	8	21.00	17.50	WM18775-ND	.63	5.59	37.28	22-01-1084
	9	23.50	20.00	WM18776-ND	.70	6.14	40.93	22-01-1094
	10	26.00	22.50	WM18777-ND	.74	6.56	43.75	22-01-1104
	11	28.50	25.00	WM18778-ND	.81	7.11	47.42	22-01-1114
	12	31.00	27.50	WM18779-ND	.85	7.54	50.25	22-01-1124
	13	33.50	30.00	WM18780-ND	.90	7.96	53.08	22-01-1134
	14	36.00	32.50	WM18781-ND	.97	8.57	57.14	22-01-1144
	15	38.50	35.00	WM18782-ND	1.03	9.12	60.78	22-01-1154

图	电路	尺寸 (mm)		Digi-Key 零件编号	价格			Molex 零件编号
		A	B		1	10	100	
SPOX 微型垂直接头 2.50mm, 镀锌								
5	2	—	2.50	WM18785-ND	.92	8.09	53.93	22-04-1021
	3	—	5.00	WM18786-ND	1.10	9.69	64.63	22-04-1031
	4	—	7.50	WM18787-ND	1.30	11.50	76.65	22-04-1041
	5	—	10.00	WM18788-ND	1.49	13.17	87.80	22-04-1051
	6	—	12.50	WM18789-ND	1.70	14.97	99.83	22-04-1061
	7	—	15.00	WM18790-ND	1.73	15.31	102.05	22-04-1071
	8	—	17.50	WM18791-ND	2.14	18.86	125.70	22-04-1081
	9	—	20.00	WM18792-ND	2.33	20.52	136.63	22-04-1091
	10	—	22.50	WM18793-ND	2.45	21.59	143.95	22-04-1101
	11	—	25.00	WM18794-ND	2.76	24.33	162.20	22-04-1111
	12	—	27.50	WM18795-ND	2.91	25.67	171.10	22-04-1121
	13	—	30.00	WM18796-ND	3.05	26.94	179.60	22-04-1131
	14	—	32.50	WM18797-ND	3.44	30.35	202.33	22-04-1141
	15	—	35.00	WM18798-ND	3.61	31.82	212.13	22-04-1151
	SPOX 微型垂直接头 2.50mm, 直角镀锌							
6	2	2.50	4.50	WM18799-ND	1.52	13.37	89.15	22-05-1022
	3	5.00	7.00	WM18800-ND	1.74	15.38	102.50	22-05-1032
	4	7.50	9.50	WM18801-ND	2.02	17.85	119.00	22-05-1042
	5	10.00	12.00	WM18802-ND	2.20	19.39	129.25	22-05-1052
	6	12.50	14.50	WM18803-ND	2.47	21.80	145.30	22-05-1062
	7	15.00	17.00	WM18804-ND	2.70	23.80	158.65	22-05-1072
	8	17.50	19.50	WM18805-ND	2.96	26.14	174.28	22-05-1082
	9	20.00	22.00	WM18806-ND	3.20	28.21	188.08	22-05-1092
	10	22.50	24.50	WM18807-ND	3.36	29.62	197.45	22-05-1102
	11	25.00	27.00	WM18808-ND	3.70	32.62	217.48	22-05-1112
	12	27.50	29.50	WM18809-ND	3.89	34.36	229.08	22-05-1122
	13	30.00	32.00	WM18810-ND	4.07	35.90	239.33	22-05-1132
	14	32.50	34.50	WM18811-ND	4.48	39.51	263.38	22-05-1142
	15	35.00	37.00	WM18812-ND	4.68	41.31	275.43	22-05-1152
	SPOX 插座底座 3.96mm							
7	2	9.06	3.96	WM18813-ND	.73	6.48	43.23	09-50-1021
	3	13.02	7.92	WM18814-ND	.85	7.49	49.93	09-50-1031
	4	16.98	11.88	WM18815-ND	.98	8.62	57.48	09-50-1041
	5	20.94	15.84	WM18816-ND	1.15	10.16	67.73	09-50-1051
	6	24.90	19.80	WM18817-ND	1.27	11.23	74.88	09-50-1061
	7	28.86	23.76	WM18818-ND	1.42	12.57	83.78	09-50-1071
	8	32.82	27.72	WM18819-ND	1.57	13.84	92.25	09-50-1081
	SPOX 3.96mm 接头							
8	2	3.96	7.16	WM18823-ND	.62	5.47	36.48	09-65-2028
	3	7.92	11.12	WM18824-ND	.80	7.05	46.99	09-65-2038
	4	11.88	15.08	WM18825-ND	1.07	9.48	63.21	09-65-2048
	5	15.84	19.04	WM18826-ND	1.31	11.55	76.99	09-65-2058
	6	19.80	23.00	WM18827-ND	1.59	14.04	93.60	09-65-2068
	7	23.76	26.96	WM18828-ND	1.87	16.47	109.80	09-65-2078
	8	27.72	30.92	WM18829-ND	2.14	18.84	125.61	09-65-2088
	说明							
2.50mm SPOX 工具和端子								
压接端子 22-28 AWG	WM17406-ND	—	2.51	20.10	08-70-1040			
压接端子 22-28 AWG	WM18889CT-ND†	—	—	6.83	08-70-1039			
压接端子 22-28 AWG	WM18889TR-ND‡	340.00/10,000	—	—	08-70-1039			
3.96mm SPOX 工具和端子								
18-24 AWG 的手动压接工具	WM18822-ND	228.96	—	—	11-01-0193			
18-24 AWG 的手动压接工具	WM18715-ND	259.49	—	—	63811-6500			
母端子, 18-24 AWG	WM18820CT-ND†	—	—	7.80	08-70-1031			
母端子, 18-24 AWG	WM18820TR-ND‡	210.00/5,000	—	—	08-70-1031			
母端子, 18-24 AWG	WM18820-ND	—	2.68	21.41	08-70-1030			
母端子, 18-24 AWG	WM18821TR-ND‡	370.00/5,000	—	—	39-00-0021			
母端子, 18-24 AWG	WM18821-ND	.45	3.95	26.33	39-00-0022			
母端子, 22-28 AWG	WM2141-ND	—	2.61	20.90	08-70-1028			
微型 SPOX 工具和端子								
22-28 AWG 的手动压接工具	WM18830-ND	259.49	—	—	63811-5200			
母端子, 22-28 AWG	WM18783-ND	.15	1.36	9.09	08-70-0057			

† 剪切带 ‡ 带卷

全部产品均以美元计价。 免费电话: 10800-1527031 (China Telecom - 中国电讯) — 10800-8527031 (CNCG - 中国网通)

digike.com.cn — 电话: (852) 3104 0500 — 传真: (852) 3104 0686