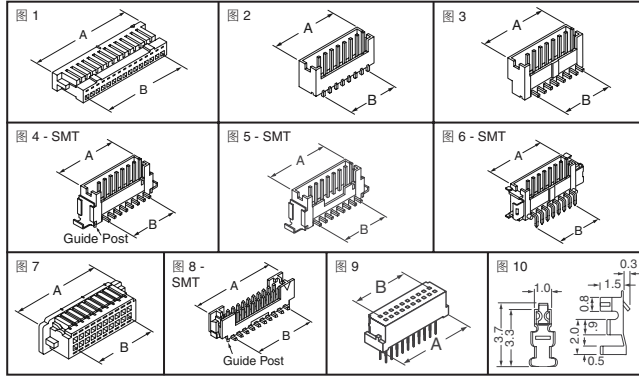




DF13 系列连接器 1.25mm 间距

DF13 系列是间距为 1.25mm 的小型“PCB 到线缆”尼龙连接器，特别适合要求缩减生产成本且轻便型的高度应用。电气规格：• 电流容量：1A • 额定电压：AC150V • 绝缘电阻：条件：DC100，标准值：最小 500MΩ
 • 耐受电压：条件：在指定值，标准值：AC500V • 触点电阻：条件：在 DC 0.1 A，标准值：最大 30mΩ
 材料和表面处理：• 引脚接头绝缘体：聚酰亚胺树脂，米色，UL 94V-0 • 引脚接头触点：黄铜，镀锡和镀金
 • 引脚接头硬件：黄铜，镀锡和镀金 • 压接插口绝缘体：聚酰亚胺树脂，米色，UL 94V-0 • 压接插口触点：磷青铜，镀锡和镀金



引脚数	尺寸 (mm)		Digi-Key 零件编号	价格	Hirose 零件编号		
	A	B		25	100		
图1 - 单排压接插口 - 符合 RoHS 规范要求							
2	4.15	1.25	H2179-ND	.29	3.00	7.44	DF13-2S-1.25C
3	5.40	2.50	H2180-ND	.23	2.54	7.15	DF13-3S-1.25C
4	6.65	3.75	H2181-ND	.28	3.35	10.00	DF13-4S-1.25C
5	7.90	5.00	H2182-ND	.29	3.52	10.50	DF13-5S-1.25C
6	9.15	6.25	H2183-ND	.31	3.69	11.00	DF13-6S-1.25C
7	10.40	7.50	H2184-ND	.32	3.77	11.25	DF13-7S-1.25C
8	11.65	8.75	H2185-ND	.49	5.86	17.50	DF13-8S-1.25C
9	12.90	10.00	H3300-ND	.41	6.08	19.04	DF13-9S-1.25C
10	14.15	11.25	H2186-ND	.52	6.20	18.50	DF13-10S-1.25C
11	15.40	12.50	H2187-ND	.55	6.62	19.75	DF13-11S-1.25C
12	16.65	13.75	H2188-ND	.41	6.08	19.04	DF13-12S-1.25C
13	17.90	15.00	H3301-ND	.55	6.62	19.75	DF13-13S-1.25C
14	19.15	16.25	H2189-ND	.49	7.35	23.03	DF13-14S-1.25C
15	20.40	17.50	H2259-ND	.53	6.37	19.00	DF13-15S-1.25C
图2 - 单排垂直引脚接头 - 镀锡 - 符合 RoHS 规范要求							
2	4.15	1.25	H2191-ND	.50	5.95	17.75	DF13-2P-1.25DSA
3	5.40	2.50	H2192-ND	.43	6.38	19.67	DF13-3P-1.25DSA
4	6.65	3.75	H2193-ND	.56	8.33	26.09	DF13-4P-1.25DSA
5	7.90	5.00	H2194-ND	.63	9.45	29.61	DF13-5P-1.25DSA
6	9.15	6.25	H2195-ND	.71	10.58	33.14	DF13-6P-1.25DSA
7	10.40	7.50	H2196-ND	.59	10.73	35.10	DF13-7P-1.25DSA
8	11.65	8.75	H2197-ND	.76	13.75	45.00	DF13-8P-1.25DSA
9	12.90	10.00	H3302-ND	1.03	18.56	60.75	DF13-9P-1.25DSA(20)
10	14.15	11.25	H2198-ND	.87	15.81	51.75	DF13-10P-1.25DSA
11	15.40	12.50	H3303-ND	1.10	19.94	65.25	DF13-11P-1.25DSA(20)
12	16.65	13.75	H2320-ND	.91	16.50	54.00	DF13-12P-1.25DSA
13	17.90	15.00	H3304-ND	1.22	22.00	72.00	DF13-13P-1.25DSA(20)
14	19.15	16.25	H2321-ND	1.03	18.56	60.75	DF13-14P-1.25DSA
15	20.40	17.50	H2322-ND	1.06	19.25	63.00	DF13-15P-1.25DSA
图3 - 单排垂直引脚接头 - 镀金 - 符合 RoHS 规范要求							
2	4.15	1.25	H3305-ND	.61	11.00	36.00	DF13-2P-1.25DSA(60)
3	5.40	2.50	H3306-ND	.80	14.44	47.25	DF13-3P-1.25DSA(60)
4	6.65	3.75	H3307-ND	.80	14.44	47.25	DF13-4P-1.25DSA(60)
5	7.90	5.00	H3308-ND	.87	15.81	51.75	DF13-5P-1.25DSA(60)
6	9.15	6.25	H3309-ND	1.18	21.31	69.75	DF13-6P-1.25DSA(60)
7	10.40	7.50	H3310-ND	1.10	19.94	65.25	DF13-7P-1.25DSA(60)
8	11.65	8.75	H3311-ND	1.22	22.00	72.00	DF13-8P-1.25DSA(60)
9	12.90	10.00	H3312-ND	1.29	23.38	76.50	DF13-9P-1.25DSA(60)
10	14.15	11.25	H3313-ND	1.41	25.44	83.25	DF13-10P-1.25DSA(60)
11	15.40	12.50	H3314-ND	1.44	26.13	85.50	DF13-11P-1.25DSA(60)
12	16.65	13.75	H3315-ND	1.76	33.75	108.00	DF13-12P-1.25DSA(60)
14	19.15	16.25	H3316-ND	1.67	30.25	99.00	DF13-14P-1.25DSA(60)
15	20.40	17.50	H3317-ND	1.79	32.31	105.75	DF13-15P-1.25DSA(60)
图4 - 单排垂直引脚接头 - 镀锡 - 符合 RoHS 规范要求							
2	4.15	1.25	H2199-ND	.50	7.50	23.50	DF13-2P-1.25DS(20)
3	5.40	2.50	H2200-ND	.60	9.00	28.20	DF13-3P-1.25DS(20)
4	6.65	3.75	H2201-ND	.70	10.50	32.90	DF13-4P-1.25DS(20)
5	7.90	5.00	H2202-ND	.65	11.69	38.25	DF13-5P-1.25DS(20)
6	9.15	6.25	H2203-ND	.72	13.06	42.75	DF13-6P-1.25DS(20)
7	10.40	7.50	H2204-ND	.80	14.44	47.25	DF13-7P-1.25DS(20)
8	11.65	8.75	H2205-ND	.99	17.88	58.50	DF13-8P-1.25DS(20)
9	12.90	10.00	H3318-ND	1.22	22.00	72.00	DF13-9P-1.25DS(20)
10	14.15	11.25	H2206-ND	1.10	19.94	65.25	DF13-10P-1.25DS(20)
11	15.40	12.50	H3319-ND	1.44	26.13	85.50	DF13-11P-1.25DS(20)
12	16.65	13.75	H2323-ND	1.56	28.19	92.25	DF13-12P-1.25DS(20)
14	19.15	16.25	H2324-ND	1.29	23.38	76.50	DF13-14P-1.25DS(20)
15	20.40	17.50	H2325-ND	1.86	33.69	110.25	DF13-15P-1.25DS(20)
图5 - 单排垂直引脚接头 - 镀金 - 符合 RoHS 规范要求							
2	4.15	1.25	H3320-ND	.65	9.75	30.55	DF13-2P-1.25DS(50)
3	5.40	2.50	H3321-ND	.61	11.00	36.00	DF13-3P-1.25DS(50)
4	6.65	3.75	H3322-ND	.76	13.75	45.00	DF13-4P-1.25DS(50)
5	7.90	5.00	H3323-ND	.87	15.81	51.75	DF13-5P-1.25DS(50)
6	9.15	6.25	H3324-ND	.99	17.88	58.50	DF13-6P-1.25DS(50)
7	10.40	7.50	H3325-ND	1.10	19.94	65.25	DF13-7P-1.25DS(50)
8	11.65	8.75	H3326-ND	1.29	23.38	76.50	DF13-8P-1.25DS(50)
9	12.90	10.00	H3327-ND	1.41	25.44	83.25	DF13-9P-1.25DS(50)
10	14.15	11.25	H3328-ND	1.44	26.13	85.50	DF13-10P-1.25DS(50)
11	15.40	12.50	H3329-ND	1.56	28.19	92.25	DF13-11P-1.25DS(50)
12	16.65	13.75	H3330-ND	1.67	30.25	99.00	DF13-12P-1.25DS(50)
14	19.15	16.25	H3331-ND	1.63	31.25	100.00	DF13-14P-1.25DS(50)
15	20.40	17.50	H3332-ND	1.71	30.94	101.25	DF13-15P-1.25DS(50)
图6 - 单排垂直引脚接头 - 镀锡 - 符合 RoHS 规范要求							
2	4.15	1.25	H2207-ND	.55	8.25	25.85	DF13-2P-1.25H(20)

引脚数	尺寸 (mm)		Digi-Key 零件编号	价格	Hirose 零件编号		
	A	B		25	100		
图4 - 带导柱的单排 SMT 垂直引脚接头 - 镀金 - 符合 RoHS 规范要求							
3	5.40	2.50	H2208-ND	.65	9.75	30.55	DF13-3P-1.25H(20)
4	6.65	3.75	H2209-ND	.61	11.00	36.00	DF13-4P-1.25H(20)
5	7.90	5.00	H2210-ND	.65	11.69	38.25	DF13-5P-1.25H(20)
6	9.15	6.25	H2211-ND	.68	12.38	40.50	DF13-6P-1.25H(20)
7	10.40	7.50	H2212-ND	.76	13.75	45.00	DF13-7P-1.25H(20)
8	11.65	8.75	H2213-ND	.91	16.50	54.00	DF13-8P-1.25H(20)
9	12.90	10.00	H3340-ND	.99	17.88	58.50	DF13-9P-1.25H(20)
10	14.15	11.25	H2214-ND	1.03	18.56	60.75	DF13-10P-1.25H(20)
11	15.40	12.50	H2215-ND	1.10	19.94	65.25	DF13-11P-1.25H(20)
12	16.65	13.75	H2216-ND	1.10	19.94	65.25	DF13-12P-1.25H(20)
14	19.15	16.25	H2217-ND	1.22	22.00	72.00	DF13-14P-1.25H(20)
15	20.40	17.50	H2218-ND	1.33	24.06	78.75	DF13-15P-1.25H(20)
图5 - 带凸起的单排 SMT 垂直引脚接头 - 镀锡 - 符合 RoHS 规范要求							
2	4.15	1.25	H3336-ND	.76	13.75	45.00	DF13-2P-1.25H(50)
3	5.40	2.50	H3337-ND	.91	16.50	54.00	DF13-3P-1.25H(50)
4	6.65	3.75	H3338-ND	1.10	19.94	65.25	DF13-4P-1.25H(50)
5	7.90	5.00	H3339-ND	1.22	22.00	72.00	DF13-5P-1.25H(50)
6	9.15	6.25	H3340-ND	1.33	24.06	78.75	DF13-6P-1.25H(50)
7	10.40	7.50	H3341-ND	1.41	25.44	83.25	DF13-7P-1.25H(50)
8	11.65	8.75	H3342-ND	1.63	29.56	96.75	DF13-8P-1.25H(50)
9	12.90	10.00	H3343-ND	1.79	32.31	105.75	DF13-9P-1.25H(50)
10	14.15	11.25	H3344-ND	1.63	31.25	100.00	DF13-10P-1.25H(50)
11	15.40	12.50	H3345-ND	1.66	31.88	102.00	DF13-11P-1.25H(50)
12	16.65	13.75	H3346-ND	1.66	31.88	102.00	DF13-12P-1.25H(50)
14	19.15	16.25	H3347-ND	1.98	38.13	122.00	DF13-14P-1.25H(50)
15	20.40	17.50	H3348-ND	2.08	40.00	128.00	DF13-15P-1.25H(50)
图6 - 带凸起的单排 SMT 垂直引脚接头 - 镀锡 - 符合 RoHS 规范要求							
2	4.15	1.25	H3393-ND	.55	8.25	25.85	DF13B-2P-1.25H(20)
3	5.40	2.50	H3394-ND	.65	9.75	30.55	DF13B-3P-1.25H(20)
4	6.65	3.75	H3395-ND	.61	11.00	36.00	DF13B-4P-1.25H(20)
5	7.90	5.00	H3396-ND	.65	11.69	38.25	DF13B-5P-1.25H(20)
6	9.15	6.25	H3397-ND	.68	12.38	40.50	DF13B-6P-1.25H(20)
7	10.40	7.50	H3398-ND	.76	13.75	45.00	DF13B-7P-1.25H(20)
8	11.65	8.75	H3399-ND	.91	16.50	54.00	DF13B-8P-1.25H(20)
9	12.90	10.00	H3400-ND	.99	17.88	58.50	DF13B-9P-1.25H(20)
10	14.15	11.25	H3401-ND	1.03	18.56	60.75	DF13B-10P-1.25H(20)
11	15.40	12.50	H3402-ND	1.10	19.94	65.25	DF13B-11P-1.25H(20)
12	16.65	13.75	H3403-ND	1.10	19.94	65.25	DF13B-12P-1.25H(20)
14	19.15	16.25	H3404-ND	1.22	22.00	72.00	DF13B-14P-1.25H(20)
15	20.40	17.50	H3405-ND	1.33	24.06	78.75	DF13B-15P-1.25H(20)
图7 - 带凸起的单排 SMT 垂直引脚接头 - 镀金 - 符合 RoHS 规范要求							
2	4.15	1.25	H3406-ND	.76	13.75	45.00	DF13B-2P-1.25H(50)
3	5.40	2.50	H3407-ND	.91	16.50	54.00	DF13B-3P-1.25H(50)
4	6.65	3.75	H3408-ND	1.10	19.94	65.25	DF13B-4P-1.25H(50)
5	7.90	5.00	H3409-ND	1.22	22.00	72.00	DF13B-5P-1.25H(50)
6	9.15	6.25	H3410-ND	1.33	24.06	78.75	DF13B-6P-1.25H(50)
7	10.40	7.50	H3411-ND	1.41	25.44	83.25	DF13B-7P-1.25H(50)
8	11.65	8.75	H3412-ND	1.63	29.56	96.75	DF13B-8P-1.25H(50)
9	12.90	10.00	H3413-ND	1.79	32.31	105.75	DF13B-9P-1.25H(50)
10	14.15	11.25	H3414-ND	1.63	31.25	100.00	DF13B-10P-1.25H(50)
11	15.40	12.50	H3415-ND	1.66	31.88	102.00	DF13B-11P-1.25H(50)
12	16.65	13.75	H3416-ND	1.76	33.75	108.00	DF13B-12P-1.25H(50)
14	19.15	16.25	H3417-ND	1.98	38.13	122.00	DF13B-14P-1.25H(50)
15	20.40	17.50	H3418-ND	2.08	40.00	128.00	DF13B-15P-1.25H(50)
图8 - 无凸起的单排 SMT 垂直引脚接头 - 镀锡 - 符合 RoHS 规范要求							
2	4.15	1.25	H3419-ND	.55	8.25	25.85	DF13C-2P-1.25H(20)
3	5.40	2.50	H3420-ND	.65	9.75	30.55	DF13C-3P-1.25H(20)
4	6.65	3.75	H3421-ND	.61	11.00	36.00	DF13C-4P-1.25H(20)
5	7.90	5.00	H3422-ND	.65	11.69	38.25	DF13C-5P-1.25H(20)
6	9.15	6.25	H3423-ND	.68	12.38	40.50	DF13C-6P-1.25H(20)
7	10.40	7.50	H3424-ND	.76	13.75	45.00	DF13C-7P-1.25H(20)
8	11.65						