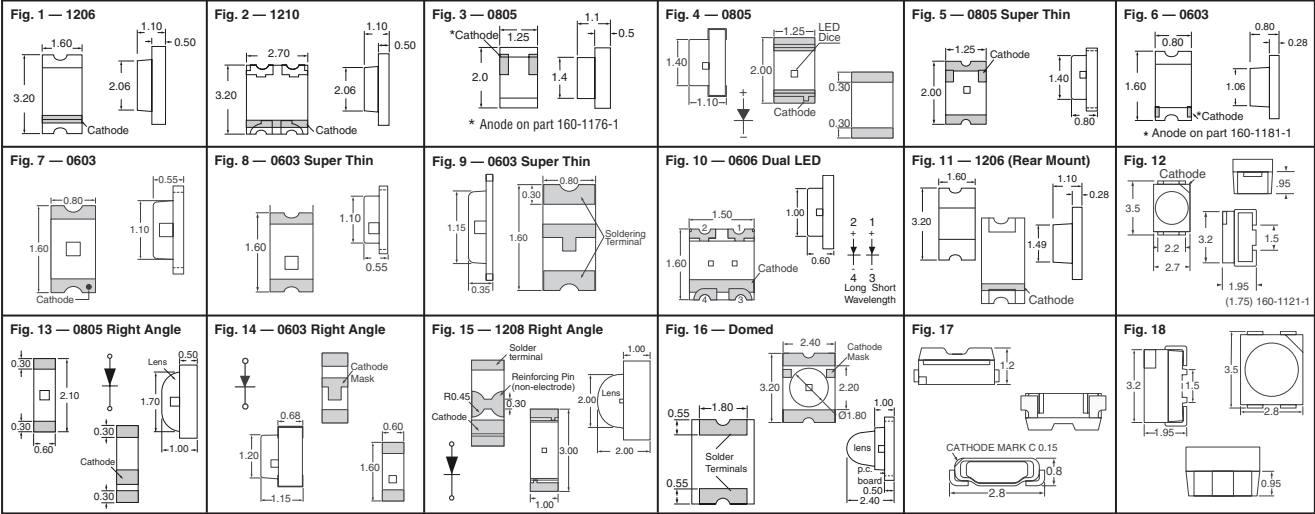




Surface Mount LEDs



Dimensions in mm



Standard Surface Mount LEDs

Fig.	Emitted Color	Lens	Peak Wavelength (nm)	Vf Typical (V)	If (mA) Max.	Iv Typical (mcd) @ mA		Viewing Angle (2x Theta)	Digi-Key Part No.	Cut Tape Pricing			Digi-Key Part No.	Tape and Reel		Lite-On Part No.
						10	20			10	100	Qty.		Pricing		
1	Red	Water Clear	660	1.8	40	25	20	130	160-1167-1-ND	.43	3.03	17.84	160-1167-2-ND	3,000	67.33/M	LTST-C150CKT
	Red Orange	Water Clear	630	2.0	30	6	10	130	160-1168-1-ND	.49	3.53	20.82	160-1168-2-ND	3,000	78.55/M	LTST-C150EKT
	Amber	Water Clear	610	2.1	30	6	10	130	160-1166-1-ND	.49	3.53	20.82	160-1166-2-ND	3,000	78.55/M	LTST-C150AKT
	Yellow	Water Clear	585	2.1	20	6	10	130	160-1170-1-ND	.49	3.53	20.82	160-1170-2-ND	3,000	78.55/M	LTST-C150YKT
	Green	Water Clear	565	2.1	30	6	10	130	160-1169-1-ND	.56	4.08	21.99	160-1169-2-ND	3,000	62.84/M	LTST-C150GKT
2	White	Yellow	—	3.2	100	260	20	130	160-1737-1-ND	.67	5.21	37.57	160-1737-2-ND	3,000	181.79/M	LTW-150TK
	Green/Yellow	Water Clear	565/585	2.1/2.1	30/20	7/6	10	130/130	160-1171-1-ND	.62	4.37	28.64	160-1171-2-ND	3,000	130.17/M	LTST-C155GYKT
3	Red	Water Clear	660	1.8	40	10	10	130	160-1176-1-ND	.45	3.23	19.03	160-1176-2-ND	3,000	71.82/M	LTST-C170CKT
	Red Orange	Water Clear	630	2.0	30	2	10	130	160-1178-1-ND	.52	3.74	22.01	160-1178-2-ND	3,000	83.04/M	LTST-C170EKT
	Amber	Water Clear	610	2.1	30	2	10	130	160-1177-1-ND	.52	3.74	22.01	160-1177-2-ND	3,000	83.04/M	LTST-C170AKT
	Yellow	Water Clear	585	2.1	20	6	10	130	160-1175-1-ND	.52	3.74	22.01	160-1175-2-ND	3,000	83.04/M	LTST-C170YKT
	Green	Water Clear	565	2.1	30	6	10	130	160-1179-1-ND	.58	4.23	22.78	160-1179-2-ND	3,000	65.09/M	LTST-C170GKT
4	White	Yellow	—	3.3	100	281	20	130	160-1738-1-ND	.67	5.21	37.57	160-1738-2-ND	3,000	181.79/M	LTW-170TK
	Red	Water Clear	660	1.8	40	25	20	130	160-1421-1-ND	.54	3.84	22.60	160-1421-2-ND	3,000	85.29/M	LTST-C171CKT
	Red Orange	Water Clear	630	2.0	30	6	20	130	160-1422-1-ND	.49	3.53	20.82	160-1422-2-ND	3,000	78.55/M	LTST-C171EKT
	Amber	Water Clear	610	2.1	30	4.5	20	130	160-1419-1-ND	.49	3.53	20.82	160-1419-2-ND	3,000	78.55/M	LTST-C171AKT
	Yellow	Water Clear	585	2.1	20	4.5	20	130	160-1431-1-ND	.49	3.53	20.82	160-1431-2-ND	3,000	78.55/M	LTST-C171YKT
5	Green	Water Clear	565	2.1	30	12	20	130	160-1423-1-ND	.49	3.53	20.82	160-1423-2-ND	3,000	78.55/M	LTST-C171GKT
	Red	Water Clear	660	1.8	40	10	10	130	160-1181-1-ND	.46	3.33	19.63	160-1181-2-ND	3,000	74.07/M	LTST-C190CKT
	Red Orange	Water Clear	630	2.0	30	2	10	130	160-1182-1-ND	.43	3.03	17.84	160-1182-2-ND	3,000	67.33/M	LTST-C190EKT
	Amber	Water Clear	610	2.1	30	2	10	130	160-1180-1-ND	.43	3.03	17.84	160-1180-2-ND	3,000	67.33/M	LTST-C190AKT
	Yellow	Water Clear	585	2.1	20	6	10	130	160-1184-1-ND	.43	3.03	17.84	160-1184-2-ND	3,000	67.33/M	LTST-C190YKT
6	Green	Water Clear	565	2.1	30	6	10	130	160-1183-1-ND	.43	3.03	17.84	160-1183-2-ND	3,000	67.33/M	LTST-C190GKT
	White	Yellow	—	2.93	100	70	20	130	160-1724-1-ND	.67	5.21	37.57	160-1724-2-ND	3,000	242.39/M	LTW-C191TS5
	Green	Water Clear	565	2.1	30	12	20	130	160-1443-1-ND	.49	3.53	20.82	160-1443-2-ND	5,000	70.70/M	LTST-C191GKT
	White	Yellow	—	2.95	20	78	5	130	160-1721-1-ND	.72	5.58	36.13	160-1721-2-ND	3,000	170.57/M	LTW-C193TS5
	Red	Water Clear	660	1.8	40	25	20	130	160-1186-1-ND	.56	4.04	23.79	160-1186-2-ND	3,000	89.78/M	LTST-C230CKT
11	Red Orange	Water Clear	630	2.0	30	6	20	130	160-1187-1-ND	.52	3.74	22.01	160-1187-2-ND	3,000	83.04/M	LTST-C230EKT
	Amber	Water Clear	610	2.1	30	4.5	20	130	160-1185-1-ND	.52	3.74	22.01	160-1185-2-ND	3,000	83.04/M	LTST-C230AKT
	Yellow	Water Clear	585	2.1	20	4.5	20	130	160-1189-1-ND	.52	3.74	22.01	160-1189-2-ND	3,000	83.04/M	LTST-C230YKT
	Green	Water Clear	565	2.1	30	14	20	130	160-1188-1-ND	.52	3.74	22.01	160-1188-2-ND	3,000	83.04/M	LTST-C230GKT
	Amber	Water Clear	610	2.1	30	8	10	120	160-1121-1-ND	.57	4.45	28.87	—	—	—	LTL-94PAKTA
12	White	Yellow	—	3.5	100	700	30	120	160-1725-1-ND	.86	6.65	47.52	160-1725-2-ND	2,000	242.39/M	LTW-670DS
	Red Orange	Water Clear	630	2.0	30	4	20	130	160-1220-1-ND	.52	3.74	22.01	160-1220-2-ND	4,000	83.04/M	LTST-S220EKT
	Green	Water Clear	565	2.1	30	10	20	130	160-1218-1-ND	.52	3.74	22.01	160-1218-2-ND	4,000	83.04/M	LTST-S220GKT
	Red Orange	Water Clear	630	2.0	30	4	20	130	160-1474-1-ND	.49	3.53	20.82	160-1474-2-ND	4,000	78.55/M	LTST-S270EKT
	Yellow	Water Clear	585	2.1	20	4	20	130	160-1482-1-ND	.49	3.53	20.82	160-1482-2-ND	4,000	78.55/M	LTST-S270YKT
14	Green	Water Clear	565	2.1	30	10	20	130	160-1475-1-ND	.49	3.53	20.82	160-1475-2-ND	4,000	78.55/M	LTST-S270GKT
	White	Yellow	—	3.0	100	95	20	130	160-1739-1-ND	.67	5.21	37.57	160-1739-2-ND	4,000	181.79/M	LTW-270TLA
	Red Orange	Water Clear	630	2.0	30	4	20	130	160-1208-1-ND	.56	4.04	23.79	160-1208-2-ND	3,000	89.78/M	LTST-S320EKT
15	Yellow	Water Clear	585	2.1	20	4	20	130	160-1207-1-ND	.56	4.04	23.79	160-1207-2-ND	3,000	89.78/M	LTST-S320YKT
	Green	Water Clear	565	2.1	30	10	20	130	160-1206-1-ND	.56	4.04	23.79	160-1206-2-ND	3,000	89.78/M	LTST-S320GKT
	Orange	Water Clear	630	2.0	30	25	10	25	160-1214-1-ND	.48	3.39	22.22	160-1214-2-ND	1,500	101.00/M	LTST-C930EKT
16	Yellow	Water Clear	585	2.1	20	16	10	25	160-1213-1-ND	.48	3.39	22.22	160-1213-2-ND	1,500	101.00/M	LTST-C930YKT
	Green	Water Clear	565	2.1	30	40	10	25	160-1212-1-ND	.48	3.39	22.22	160-1212-2-ND	1,500	101.00/M	LTST-C930GKT

Blue Surface Mount LEDs

Fig.	Emitted Color	Lens	Peak Wavelength (nm)	Vf Typ. (V)	If (mA) Max.	Iv Typical (mcd) @ mA		Viewing Angle (2x Theta)	Digi-Key Part No.	Cut Tape Pricing			Digi-Key Part No.	Tape and Reel		Lite-On Part No.
						10	20			10	100	Qty.		Pricing		
1	Blue	Water Clear	468	3.4	20	70	20	130	160-1643-1-ND	.63	4.83	34.79	160-1643-2-ND	3,000	224.44/M	LTST-C150TBKT
3	Blue	Water Clear	468	3.3	20	70	20	130	160-1579-1-ND	.63	4.83	34.79	160-1579-2-ND	3,000	224.44/M	LTST-C170TBKT
5	Blue	Water Clear	468	3.4	20	30	20	130	160-1645-1-ND	.63	4.83	34.79	160-1645-2-ND	3,000	224.44/M	LTST-C171TBKT
6	Blue	Water Clear	468	3.4	20	30	20	130	160-1646-1-ND	.63	4.83	34.79	160-1646-2-ND	3,000	168.33/M	LTST-C190TBKT
8	Blue	Water Clear	468	3.4	20	30	20	130	160-1647-1-ND	.63	4.83	34.79	160-1647-2-ND	5,000	157.11/M	LTST-C191TBKT
9	Blue	Water Clear	468	2.80	5	15	5	130	160-1827-1-ND NEW!	.63	4.83	34.79	160-1827-2-ND NEW!	3,000	224.44/M	LTST-C193TBKT-5A
14	Blue	Water Clear	468	3.4	20	70	20	130	160-1650-1-ND	.63	4.83	34.79	160-1650-2-ND	4,000	168.33/M	LTST-S270TBKT
15	Blue	Water Clear	468	3.4	20	30	20	130	160-1651-1-ND	.63	4.83	34.79	160-1651-2-ND	3,000	224.44/M	LTST-S320TBKT
16	Blue	Water Clear	468	3.4	20	450	20	25	160-1649-1-ND	.63	4.83	34.79	160-1649-2-ND	1,500	186.28/M	LTST-C930TBKT

(Continued)

Digi-Reel® Most SMT cutdown parts are available on a Digi-Reel®. For Digi-Reel part number, change 1-ND to 6-ND or CT-ND to DKR-ND. See Digi-Key® Services on page 2 for additional information.

Free shipping on orders over \$200 CAD! All prices in Canadian dollars and include duty and brokerage fees.

2862 (CA2011)

1-800-344-4539 • www.digikey.ca • 218-681-6674 • Fax: 218-681-3380