

Dimensions in mm

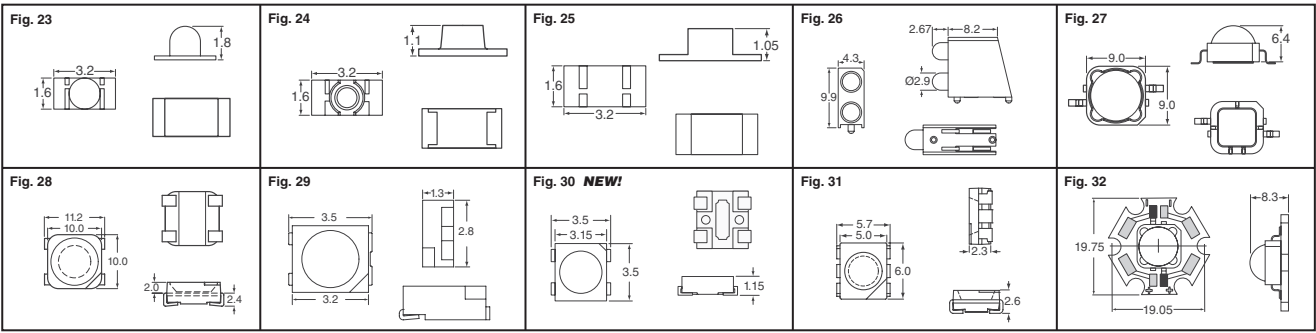


Table with columns: Fig., Description, Emitted Color, Lens, Dominant Wavelength (nm), Vf Typ. (V), If Max. (mA), Iv (mcd) @ 20mA, Viewing Angle (2x Theta), Digi-Key Part No., Cut Tape Pricing (10, 25), Digi-Key Part No., Tape and Reel Qty., Pricing, Kingbright Part No.

NEW! Chromaticity Coordinates, Iv (mcd) @ 10mA, Vf (mcd) @ 30mA, *Iv (mcd) @ 50mA, ∅ Iv (mcd) @ 120mA, ▲ Iv (mcd) @ 150mA, ★ Iv (mcd) @ 250mA, † Iv (mcd) @ 350mA, Δ Iv (mcd) @ 700mA, • Bulk

(Continued)

Digi-Reel® Most SMT cutdown parts are available on a Digi-Reel®. For Digi-Reel part number, change 1-ND to 6-ND or CT-ND to DKR-ND. See Digi-Key® Services on page 2 for additional information.

Free shipping on orders over \$200 CAD! All prices in Canadian dollars and include duty and brokerage fees.

2834 (CA2011)

1-800-344-4539 • www.digikey.ca • 218-681-6674 • Fax: 218-681-3380

