

Dimensions in mm

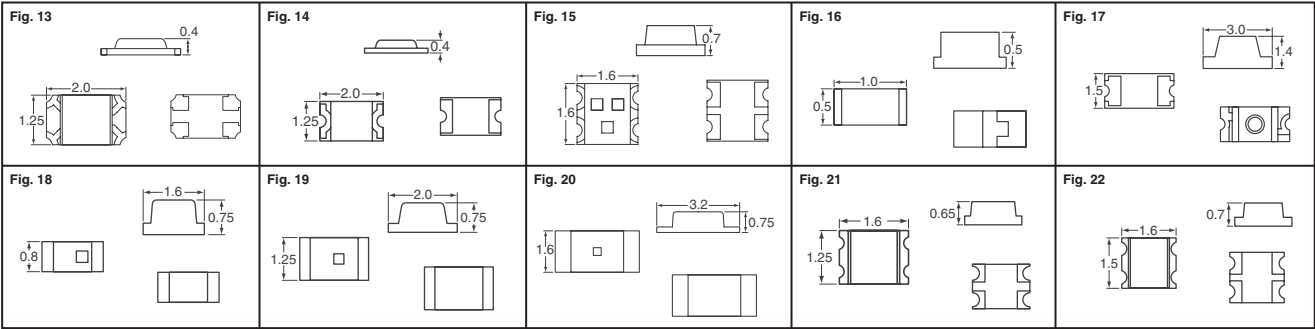


Fig.	Description	Emitted Color	Lens	Dominant Wavelength (nm)	Vf Typ. (V)	If Max. (mA)	Iv (mcd) @ 20mA	Viewing Angle (2x Theta)	Digi-Key Part No.	Cut Tape Pricing			Tape and Reel		Kingbright Part No.	
										1	10	25	Qty.	Pricing		
13	2.0 x 1.25mm	Green/Yellow	Water Clear	570/590	2.1/2	30/30	80/150	120°	754-1091-1-ND	.44	3.29	6.56	754-1091-2-ND	2,000	131.30/M	APBHM2012CGKSYKC
	2.0 x 1.25mm	Blue/Red	Water Clear	470/630	3.2/1.95	30/30	50/200	120°	754-1092-1-ND	1.17	8.75	17.51	754-1092-2-ND	2,000	235.66/M	APBHM2012PBASURKC
	2.0 x 1.25mm	Blue/HE Red	Water Clear	470/630	3.3/1.95	30/30	90/220	120°	754-1093-1-ND	.79	5.89	11.78	754-1093-2-ND	2,000	131.30/M	APBHM2012OBDSURKC
	2.0 x 1.25mm	Green/Red	Water Clear	570/630	2.1/1.95	30/30	80/220	120°	754-1093-1-ND	.44	3.29	6.56	754-1093-2-ND	2,000	131.30/M	APBHM2012SURCKGKC
14	2.0 x 1.25mm	Green	Water Clear	570	2.1	30	40	110°	754-1094-1-ND	.22	1.64	3.29	754-1094-2-ND	2,000	66.21/M	APHCM2012CGCK-F01
	2.0 x 1.25mm	Blue	Water Clear	470	3.2	30	60	110°	754-1095-1-ND	.63	4.67	9.35	754-1095-2-ND	2,000	164.96/M	APHCM2012PBC/A-F01
	2.0 x 1.25mm	Blue	Water Clear	470	3.3	30	100	110°	754-1505-1-ND	.55	4.13	8.25	754-1505-2-ND	2,000	59.48/M	APHCM2012QB/C-D-F01
	2.0 x 1.25mm	Super Orange	Water Clear	601	2.1	30	160	110°	754-1096-1-ND	.20	1.47	2.95	754-1096-2-ND	2,000	59.48/M	APHCM2012SECK-F01
	2.0 x 1.25mm	Hyper Red	Water Clear	630	1.95	30	150	110°	754-1097-1-ND	.20	1.47	2.95	754-1097-2-ND	2,000	59.48/M	APHCM2012SURCK-F01
	2.0 x 1.25mm	Super Yellow	Water Clear	590	2.0	30	120	110°	754-1098-1-ND	.20	1.47	2.95	754-1098-2-ND	2,000	59.48/M	APHCM2012SYCK-F01
15	1.6 x 1.6mm	Blue/Green/HE Red	Water Clear	470/525/621	3.2/3.2/2.0	30/30/30	40/180/400	120°	754-1318-1-ND	4.02	28.09	60.18	754-1318-2-ND	2,000	1204.08/M	APTF1616SEEGVAPBAC
	1.6 x 1.6mm	Blue/Green/HE Red	Water Clear	470/525/621	3.3/3.3/2.0	30/25/30	100/180/400	120°	754-1500-1-ND	1.65	12.33	24.67	754-1500-2-ND	2,000	493.19/M	APTF1616SEEGZQBDC
16	1.0 x 0.5mm	Green	Water Clear	570	2.1	30	40	120°	754-1101-1-ND	.27	1.98	3.96	754-1101-2-ND	2,000	79.68/M	APPHS1005CGCK
	1.0 x 0.5mm	Blue	Water Clear	470	3.2	30	60	120°	754-1102-1-ND	.63	4.67	9.35	754-1102-2-ND	2,000	187.40/M	APPHS1005PBC/A
	1.0 x 0.5mm	Blue	Water Clear	470	3.3	30	100	120°	754-1504-1-ND	.44	3.29	6.56	754-1504-2-ND	2,000	131.30/M	APPHS1005QB/C/D
	1.0 x 0.5mm	Super Orange	Water Clear	601	2.1	30	160	120°	754-1103-1-ND	.34	2.48	4.97	754-1103-2-ND	2,000	99.87/M	APPHS1005SECK
	1.0 x 0.5mm	Hyper Red	Water Clear	630	1.95	30	150	120°	754-1104-1-ND	.34	2.48	4.97	754-1104-2-ND	2,000	99.87/M	APPHS1005SURCK
	1.0 x 0.5mm	Super Yellow	Water Clear	590	2.0	30	120	120°	754-1105-1-ND	.29	2.19	4.38	754-1105-2-ND	2,000	87.53/M	APPHS1005SYCK
17	3.0 x 1.5mm	Green	Water Clear	570	2.1	30	90	70°	754-1106-1-ND	.25	1.81	3.62	754-1106-2-ND	2,000	72.94/M	APL3015SGCK-F01
	3.0 x 1.5mm	HE Red	Water Clear	625	2.0	30	20	70°	754-1107-1-ND	.19	1.39	2.78	754-1107-2-ND	2,000	56.11/M	APL3015EC-F01
	3.0 x 1.5mm	Mega Green	Water Clear	570	2.1	30	140	70°	754-1108-1-ND	.58	4.38	8.75	754-1108-2-ND	2,000	175.06/M	APL3015SRPBC-F01
	3.0 x 1.5mm	Blue	Water Clear	470	3.2	30	120	70°	754-1109-1-ND	.58	4.38	8.75	754-1109-2-ND	2,000	175.06/M	APL3015PBC/A-F01
	3.0 x 1.5mm	Blue	Water Clear	470	3.3	30	180	70°	754-1502-1-ND	.40	3.03	6.06	754-1502-2-ND	2,000	121.20/M	APL3015QB/C-D-F01
	3.0 x 1.5mm	Super Orange	Water Clear	601	2.1	30	300	70°	754-1110-1-ND	.20	1.47	2.95	754-1110-2-ND	2,000	59.48/M	APL3015SECK-F01
	3.0 x 1.5mm	Super Green	Water Clear	568	2.2	25	20	70°	754-1111-1-ND	.17	1.27	2.52	754-1111-2-ND	2,000	50.50/M	APL3015SGC-F01
	3.0 x 1.5mm	Super Red	Water Clear	640	1.85	30	150	70°	754-1112-1-ND	.20	1.47	2.95	754-1112-2-ND	2,000	59.48/M	APL3015SRPBC-F01
	3.0 x 1.5mm	Hyper Red	Water Clear	630	1.95	30	240	70°	754-1113-1-ND	.20	1.47	2.95	754-1113-2-ND	2,000	59.48/M	APL3015SURCK-F01
	3.0 x 1.5mm	Super Yellow	Water Clear	590	2.0	30	150	70°	754-1114-1-ND	.20	1.47	2.95	754-1114-2-ND	2,000	59.48/M	APL3015SYCK-F01
18	1.6 x 0.8mm	Green	Water Clear	570	2.1	30	40	120°	754-1115-1-ND	.81	6.01	12.04	754-1115-2-ND	2,000	241.27/M	APL3015ZGCK-F01
	1.6 x 0.8mm	HE Red	Water Clear	625	2.0	30	12	120°	754-1116-1-ND	.19	1.44	2.86	754-1116-2-ND	2,000	57.23/M	APT1608CGCK
	1.6 x 0.8mm	Mega Green	Water Clear	570	2.1	30	70	120°	754-1117-1-ND	.15	1.10	2.19	754-1117-2-ND	2,000	43.77/M	APT1608EC
	1.6 x 0.8mm	Blue	Water Clear	470	3.2	30	60	120°	754-1118-1-ND	.63	4.67	9.35	754-1118-2-ND	2,000	187.40/M	APT1608MGC
	1.6 x 0.8mm	Blue	Water Clear	470	3.2	30	60	120°	754-1119-1-ND	.58	4.38	8.75	754-1119-2-ND	2,000	175.06/M	APT1608PBC/A
	1.6 x 0.8mm	Blue	Water Clear	470	3.3	30	100	120°	754-1434-1-ND	.37	2.74	5.48	754-1434-2-ND	2,000	109.01/M	APT1608QB/C-D
	1.6 x 0.8mm	Blue	Water Clear	465	3.3	30	180	120°	754-1501-1-ND	1.05	7.87	15.74	754-1501-2-ND	2,000	314.77/M	APT1608QB/C
	1.6 x 0.8mm	Super Orange	Water Clear	601	2.1	30	160	120°	754-1120-1-ND	.18	1.30	2.61	754-1120-2-ND	2,000	52.74/M	APT1608SGC
	1.6 x 0.8mm	Super Green	Water Clear	568	2.2	25	15	120°	754-1121-1-ND	.15	1.10	2.19	754-1121-2-ND	2,000	43.77/M	APT1608SGC
	1.6 x 0.8mm	Super Red	Water Clear	640	1.85	30	100	120°	754-1122-1-ND	.17	1.22	2.45	754-1122-2-ND	2,000	49.38/M	APT1608SRPBC
19	1.6 x 0.8mm	Hyper Red	Water Clear	630	1.95	30	150	120°	754-1123-1-ND	.18	1.30	2.61	754-1123-2-ND	2,000	52.74/M	APT1608SURCK
	1.6 x 0.8mm	Super Yellow	Water Clear	590	2.0	30	120	120°	754-1124-1-ND	.18	1.30	2.61	754-1124-2-ND	2,000	52.74/M	APT1608SYCK
	1.6 x 0.8mm	Yellow	Water Clear	588	2.1	30	8	120°	754-1125-1-ND	.15	1.10	2.19	754-1125-2-ND	2,000	43.77/M	APT1608YCK
	1.6 x 0.8mm	Green	Water Clear	525	3.3	25	300	120°	754-1126-1-ND	.81	6.01	12.04	754-1126-2-ND	2,000	241.27/M	APT1608ZGCK
	2.0 x 1.25mm	Green	Water Clear	570	2.1	30	40	120°	754-1127-1-ND	.19	1.39	2.78	754-1127-2-ND	2,000	56.11/M	APT2012CGCK
	2.0 x 1.25mm	HE Red	Water Clear	625	2.0	30	12	120°	754-1128-1-ND	.15	1.10	2.19	754-1128-2-ND	2,000	43.77/M	APT2012EC
	2.0 x 1.25mm	Blue	Water Clear	470	3.2	30	60	120°	754-1129-1-ND	.58	4.38	8.75	754-1129-2-ND	2,000	175.06/M	APT2012PBC/A
	2.0 x 1.25mm	Blue	Water Clear	470	3.3	30	100	120°	754-1437-1-ND	.48	3.58	7.16	754-1437-2-ND	2,000	143.08/M	APT2012QB/C-D
	2.0 x 1.25mm	Super Orange	Water Clear	601	2.1	30	160	120°	754-1130-1-ND	.19	1.39	2.78	754-1130-2-ND	2,000	56.11/M	APT2012SECK
	2.0 x 1.25mm	Super Green	Water Clear	568	2.2	25	15	120°	754-1131-1-ND	.15	1.10	2.19	754-1131-2-ND	2,000	43.77/M	APT2012SGC
20	2.0 x 1.25mm	Super Red	Water Clear	640	1.85	30	100	120°	754-1132-1-ND	.18	1.30	2.61	754-1132-2-ND	2,000	52.74/M	APT2012SRPBC
	2.0 x 1.25mm	Hyper Red	Water Clear	630	1.95	30	150	120°	754-1133-1-ND	.19	1.39	2.78	754-1133-2-ND	2,000	56.11/M	APT2012SURCK
	2.0 x 1.25mm	Super Yellow	Water Clear	590	2.0	30	120	120°	754-1134-1-ND	.19	1.39	2.78	754-1134-2-ND	2,000	56.11/M	APT2012SYCK
	2.0 x 1.25mm	Yellow	Water Clear	588	2.1	30	8	120°	754-1135-1-ND	.15	1.10	2.19	754-1135-2-ND	2,000	43.77/M	APT2012YCK
	2.0 x 1.25mm	Green	Water Clear	525	3.3	25	300	120°	754-1438-1-ND	.81	6.01	12.04	754-1438-2-ND	2,000	240.71/M	APT2012ZGCK
	3.2 x 1.6mm	Green	Water Clear	570	2.1	30	40	120°	754-1136-1-ND	.22	1.68	3.37	754-1136-2-ND	2,000	67.33/M	APT3216CGCK
	3.2 x 1.6mm	HE Red	Water Clear	625	2.0	30	12	120°	754-1137-1-ND	.19	1.39	2.78	754-1137-2-ND	2,000	56.11/M	APT3216EC
	3.2 x 1.6mm	Mega Green	Water Clear	570	2.1	30	70	120°	754-1138-1-ND	.73	5.48	10.94	754-1138-2-ND	2,000	218.82/M	APT3216MGC
	3.2 x 1.6mm	Blue	Water Clear	470	3.2	30	60	120°	754-1139-1-ND	.58	4.38	8.75	754-1139-2-ND	2,000	175.06/M	APT3216PBC/A
	3.2 x 1.6mm	Blue	Water Clear	470	3.3	30	100	120°	754-1439-1-ND	.48	3.58	7.16	754-1439-2-ND	2,000	143.08/M	APT3216QB/C-D
21	3.2 x 1.6mm	Super Orange	Water Clear	601	2.1	30	160	120°	754-1140-1-ND	.20	1.47	2.95	754-1140-2-ND	2,000	59.48/M	APT3216SECK
	3.2 x 1.6mm	Super Green	Water Clear	568	2.2	25	15	120°	754-1141-1-ND	.19	1.39	2.78	754-1141-2-ND	2,000	56.11/M	APT3216SGC
	3.2 x 1.6mm	Super Red	Water Clear	640	1.85	30	80	120°	754-1142-1-ND	.19	1.39	2.78	754-1142-2-ND	2,000	56.11/M	APT3216SRPBC
	3.2 x 1.6mm	Hyper Red	Water Clear	630	1.95	30	150	120°	754-1143-1-ND	.20	1.47	2.95	754-1143-2-ND	2,000	59.48/M	APT3216SURCK
	3.2 x 1.6mm	Super Yellow	Water Clear	590	2.0	30	120	120°	754-1144-1							