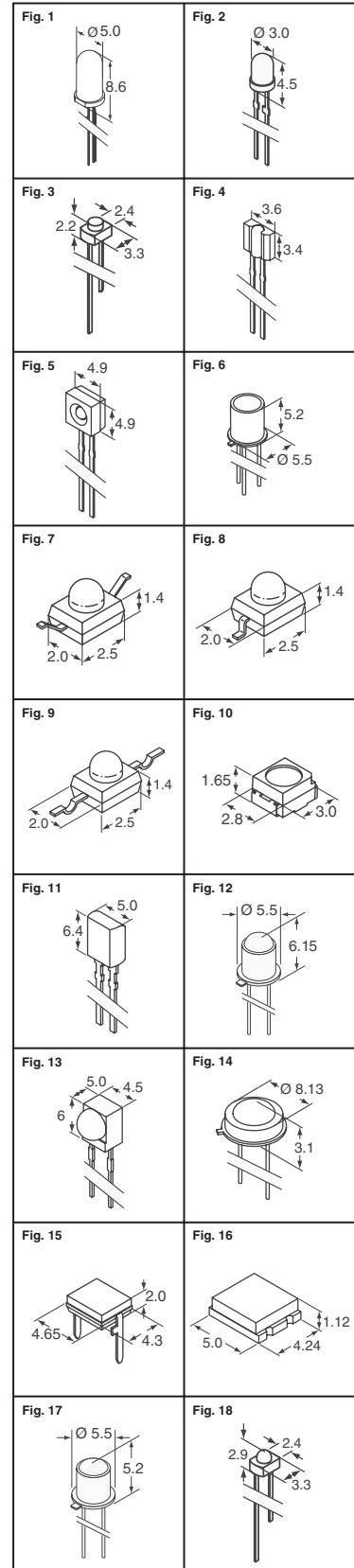




Dimensions in mm

Fig.	Package	Peak Wavelength (nm)	Bandwidth (nm)	Collector Light Current Ica (mA) Typ.	View Angle (°)	On/Off Time (µs)	Digi-Key Part No.	Price Each			Tape and Reel†		Vishay Part No.
								1	10	100	Qty.	Pricing	
1	5.0 mm	850	620 - 980	10	30	6/5	751-1003-ND	1.08	.95	.74	—	—	BPV11
2	5.0 mm	930	900 - 980	9	30	6/5	751-1004-ND	1.08	.95	.74	—	—	BPV11F
1	3.0 mm	850	620 - 980	1.5	50	2.0/2.3	751-1023-ND	.75	.63	.48	—	—	BPW85
2	3.0 mm	925	875 - 1000	3.2	60	2.0/2.3	751-1041-ND	.75	.64	.48	—	—	TEFT4300
3	1.8 mm	825	620 - 960	1	24	4.8/5	751-1011-ND	.83	.73	.57	—	—	BPW17N
4	Side View	920	850 - 980	2.5	60	6/5	751-1061-ND	1.03	.92	.73	—	—	TEST2600
5	Side View	920	850 - 980	4	74	6/5	751-1042-ND	1.04	.92	.71	—	—	TEKTS400S
6	TO-18	850	620 - 980	0.6	80	6/5	751-1018-ND	2.37	2.15	1.73	—	—	BPW76A
6	TO-18	850	620 - 980	1.2	80	6/5	751-1019-ND	2.37	2.15	1.73	—	—	BPW76B
6	TO-18	850	620 - 980	10	20	6/5	751-1020-ND	2.37	2.15	1.73	—	—	BPW77NA
6	TO-18	850	620 - 980	20	20	6/5	751-1021-ND	2.37	2.15	1.73	—	—	BPW77NB
7	1.9 mm	950	750 - 980	7	30	2.0/2.3	751-1052-1-ND‡	.95	.83	.65	1,000	346.75	TEMT1000
8	1.9 mm	950	750 - 980	7	30	2.0/2.3	751-1053-1-ND‡	.95	.83	.65	1,000	346.75	TEMT1020
9	1.9 mm	950	750 - 980	7	30	2.0/2.3	751-1054-1-ND‡	.95	.83	.65	1,000	346.75	TEMT1030
10	PLCC-2	830	620 - 980	0.5	120	2	751-1237-1-ND‡	1.07	.93	.73	1,500	388.27/M	VENT3700-GS08

† For Tape and Reel Part number, change 1-ND to 2-ND. ‡ Cut Tape



PIN Photodiodes



Fig.	Package	Peak Wavelength (nm)	Bandwidth (nm)	Sensitivity Ira Typ. (µA)	View Angle (°)	Rise/Fall Time (ns)	Digi-Key Part No.	Price Each			Tape and Reel†		Vishay Part No.
								1	10	100	Qty.	Pricing	
1	5.0 mm	920	570 - 1040	70	40	2.5	751-1001-ND	1.11	.98	.75	—	—	BPV10
1	5.0 mm	940	790 - 1050	60	40	2.5	751-1002-ND	1.11	.98	.75	—	—	BPV10NF
7	1.9 mm	900	840 - 1050	10	30	4	751-1043-1-ND‡	1.07	.93	.73	1,000	388.27	TEMD1000
8	1.9 mm	900	840 - 1050	10	30	4	751-1044-1-ND‡	1.07	.93	.73	1,000	388.27	TEMD1020
9	1.9 mm	900	840 - 1050	10	30	4	751-1045-1-ND‡	1.07	.93	.73	1,000	388.27	TEMD1030
11	Flat Side View	900	600 - 1050	50	130	100	751-1017-ND	1.07	.94	.75	—	—	BPW46
11	Flat Side View	950	790 - 1050	45	130	100	751-1022-ND	1.07	.94	.75	—	—	BPW83
12	TO-18	900	600 - 1050	60	24	7	751-1014-ND	4.30	3.84	3.15	—	—	BPW24R
13	Side View	950	870 - 1050	80	120	100	751-1006-ND	1.09	.97	.77	—	—	BPV22F
13	Side View	940	790 - 1050	85	120	100	751-1007-ND	1.09	.97	.77	—	—	BPV22NF
13	Side View	950	870 - 1050	63	120	70	751-1008-ND	1.01	.90	.71	—	—	BPV23F
13	Side View	940	790 - 1050	65	120	70	751-1009-ND	1.01	.90	.71	—	—	BPV23NF
14	TO-5	920	550 - 1040	42	100	3400/3700	751-1012-ND	5.62	5.03	4.12	—	—	BPW20RF
14	TO-5	565	420 - 675	9	100	3100/3000	751-1013-ND	9.91	8.92	7.33	—	—	BPW21R
15	Top View	900	600 - 1050	50	130	100	751-1015-ND	1.19	1.05	.84	—	—	BPW34
15	Top View	950	870 - 1050	45	130	100	751-1000-ND	1.14	1.01	.80	—	—	BP104
16	Mini SMD	900	600 - 1050	55	130	100	751-1046-1-ND‡	1.81	1.62	1.29	1,500	713.70/M	TEMD5010X01
16	Mini SMD	900	600 - 1050	35	130	100	751-1047-1-ND‡	1.72	1.54	1.23	1,500	678.91/M	TEMD5020X01
16	Mini SMD	940	790 - 1050	55	130	100	751-1048-1-ND‡	1.81	1.62	1.29	1,500	713.70/M	TEMD5110X01
16	Mini SMD	940	790 - 1050	35	130	100	751-1049-1-ND‡	1.72	1.54	1.23	—	—	TEMD5120X01

† For Tape and Reel Part number, change 1-ND to 2-ND. ‡ Cut Tape

Infrared Emitters



Fig.	Package	Peak Wavelength (nm)	Viewing Angle (°)	Radiant Intensity Typ. (mW/sr)	Rise/Fall Time (ns)	Digi-Key Part No.	Price Each			Tape and Reel†		Vishay Part No.
							1	10	100	Qty.	Pricing	
1	5 mm	940	44	45	800	751-1202-ND	.62	.48	.33	—	—	TSAL5300
1	5 mm	940	20	130	800	751-1203-ND	.62	.48	.33	—	—	TSAL6100
1	5 mm	940	34	60	800	751-1204-ND	.62	.48	.33	—	—	TSAL6200
1	5 mm	940	50	40	800	751-1205-ND	.62	.48	.33	—	—	TSAL6400
1	5 mm	940	60	25	800	751-1206-ND	.62	.48	.33	—	—	TSAL7600
1	5 mm	870	20	180	15	751-1207-ND	1.13	1.01	.80	—	—	TSFF5210
1	5 mm	870	44	70	15	751-1208-ND	1.13	1.01	.80	—	—	TSFF5410
1	5 mm	890	20	140	30	751-1210-ND	.72	.61	.46	—	—	TSHF5210
1	5 mm	890	44	65	30	751-1211-ND	.72	.61	.46	—	—	TSHF5410
1	5 mm	850	20	160	20/13	751-1212-ND	1.39	1.24	.98	—	—	TSHG6200
1	5 mm	850	44	70	20/13	751-1213-ND	1.39	1.24	.98	—	—	TSHG6400
1	5 mm	830	20	160	20/13	751-1214-ND	1.39	1.24	.98	—	—	TSHG8200
1	5 mm	830	44	70	20/13	751-1215-ND	1.39	1.24	.98	—	—	TSHF8400
2	3 mm	875	40	20	600	751-1209-ND	.59	.51	.38	—	—	TSHA4400
2	3 mm	940	50	30	800	751-1201-ND	.62	.48	.33	—	—	TSAL4400
4	Side View	950	50	2.6	800	751-1233-ND	.73	.61	.46	—	—	TSSS2600
5	Side View	950	60	2 - 7	400/450	751-1216-ND	.97	.85	.66	—	—	TSKS5400S
7	1.9 mm	870	34	5	30	751-1217-1-ND‡	1.11	.96	.76	1,000	403.98	TSMF1000
7	1.9 mm	950	24	7	800	751-1220-1-ND‡	.95	.83	.65	1,000	346.75	TSML1000
8	1.9 mm	870	34	5	30	751-1218-1-ND‡	1.11	.96	.76	1,000	403.98	TSMF1020
8	1.9 mm	950	24	7	800	751-1221-1-ND‡	.95	.83	.65	1,000	346.75	TSML1020
9	1.9 mm	870	34	5	30	751-1219-1-ND‡	1.11	.96	.76	1,000	403.98	TSMF1030
9	1.9 mm	950	24	7	800	751-1222-1-ND‡	.95	.83	.65	1,000	346.75	TSML1030
10	PLCC-2	950	120	4.5	800	751-1258-1-ND‡	.56	.45	.34	1,500	171.70/M	VSM53700-GS08
10	PLCC-2	940	120	8	800	751-1257-1-ND‡	.77	.62	.47	1,500	239.02/M	VSM3710-GS08
10	PLCC-2	870	120	10	15	751-1254-1-ND‡	.94	.82	.65	1,500	344.50/M	VSMF4710-GS08
10	PLCC-2	830	120	10	25	751-1255-1-ND‡	1.47	1.32	1.05	1,500	581.28/M	VSMG2700-GS08
10	PLCC-2	850	120	10	20/13	751-1256-1-ND‡	1.36	1.22	.97	—	—	VSMG3700-GS08
10	PLCC-2	890	120	10	30	751-1253-1-ND‡	.79	.69	.54	1,500	287.28/M	VSMF3710-GS08
17	TO-18	875	60	6	300	751-1234-ND	2.83	2.56	2.06	—	—	TSTA7500
17	TO-18	950	60	1.6	400	751-1235-ND	2.73	2.46	1.98	—	—	TST57500
18	1.8 mm	950	110	1.5	400/450	751-1026-ND	.70	.59	.44	—	—	CQY36N
18	1.8 mm	950	24	5	400/450	751-1027-ND	.70	.59	.44	—	—	CQY37N

† For Tape and Reel Part number, change 1-ND to 2-ND. ‡ Cut Tape

Digi-Reel® Most SMT cutdown parts are available on a Digi-Reel®. For Digi-Reel part number, change 1-ND to 6-ND or CT-ND to DKR-ND. See Digi-Key® Services on page 2 for additional information.

Free shipping on orders over \$200 CAD! All prices in Canadian dollars and include duty and brokerage fees.

1-800-344-4539 • www.digikey.ca • 218-681-6674 • Fax: 218-681-3380

(CA2011) 2703