



Wakefield Solutions is recognized as a worldwide leader in innovative thermal management solutions. Their products range from board level heat sinks for both surface mount and thru-hole, to fan mounted heat sinks for microprocessors and CPUs. Wakefield Solutions offers a single source for all of your thermal requirements. DeltaPads are replacements to heat sink grease but without any mess. They are conducting, electrically isolating pads to go between the heat sink and your semiconductor device. TO-220 heatsinks will also fit TO-202 and TO-126 packages.

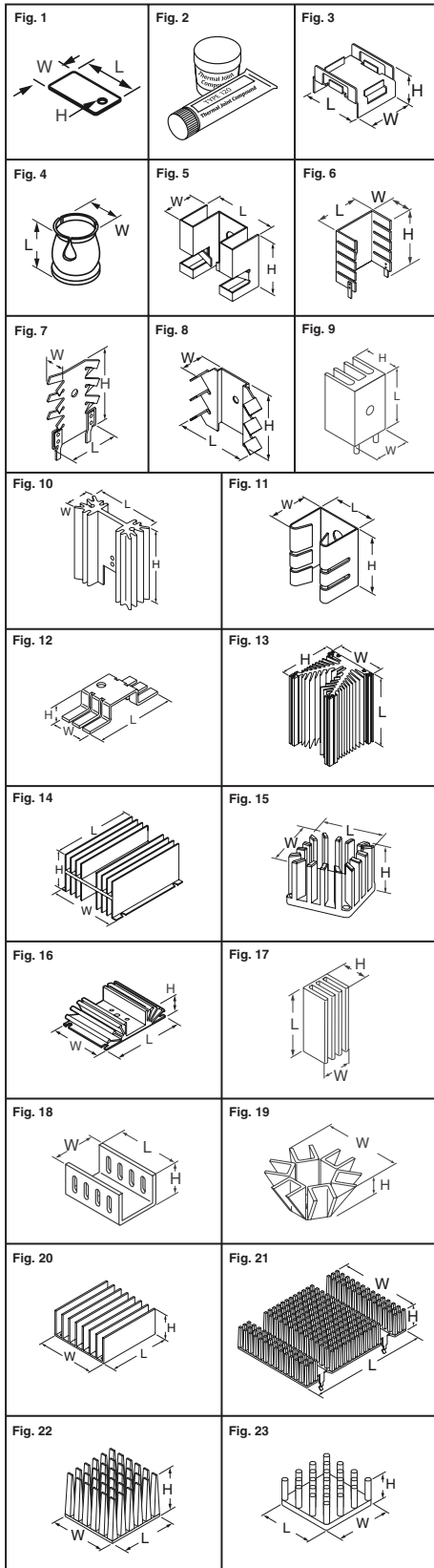


Table with 6 columns: Fig., Description, Dimensions - mm L x W x H, Digi-Key Part No., Price Each (1, 100), and Wakefield Part No. It lists various thermal management products like DeltaPad, Kapton Thermal Pad, Silicon Thermal Grease, and various TO-220 heat sinks.

◆ RoHS Compliant

CPU, PGA and BGA Heat Sinks

609 Series: Fits PowerPC 601, 604, 2585GA 628 Series: Fits IntelDX4, Intel 80486DX2, AM486DX2/DX4 658 Series: Fits IntelDX4, AM29240, PowerPC 603

Table with 6 columns: Fig., Description, Dimensions - mm L x W x H, Digi-Key Part No., Price Each (1, 100), and Wakefield Part No. It lists CPU Cooler products like 35mm BGA Unidirectional Fin Heat Sink, 16.5mm BGA/PGA With Thermal Tape, and various BGA heat sinks.

◆ RoHS Compliant

Free shipping on orders over \$200 CAD! All prices in Canadian dollars and include duty and brokerage fees.

2586 (CA2011)

1-800-344-4539 • www.digikey.ca • 218-681-6674 • Fax: 218-681-3380