



PC Test Points



Features:

- Color keyed for visibility and quick identification
- Economical choice for PC test point terminations
- Snap-fit mounting provides positive retention for wave soldering
- Wire form loop for safe, non-slip testing
- Space saving, ultra low and low profile designs
- High profile for difficult to reach applications
- Suitable for high density packaging on .062" (1.57mm) and .093" (2.36mm) PC boards
- Practical replacement for wire-wrap posts and turrets
- Secure grip for J hooks, EZ hooks, grabbers, alligator clips, tips or probes
- Ideal for reliable production testing and field service troubleshooting

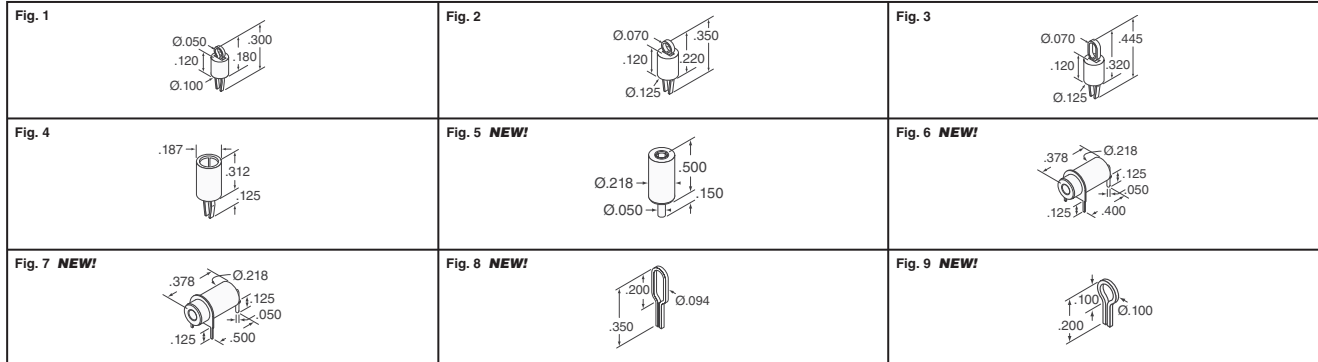
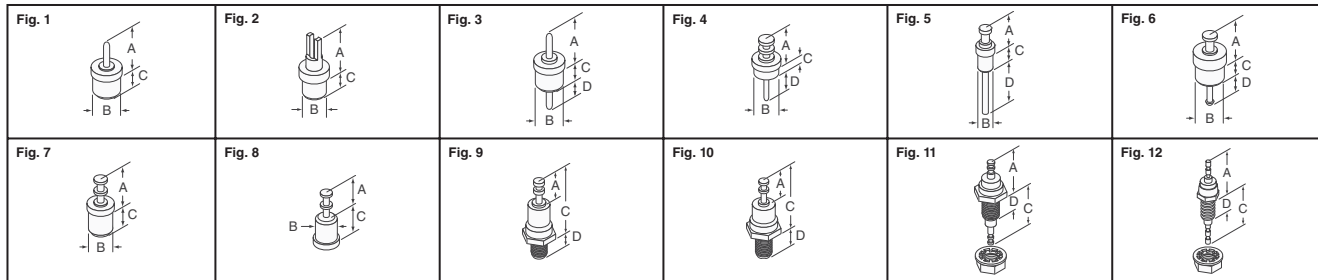


Fig.	Base Color	Digi-Key Part No.	Price Each			Keystone Part No.
			10	100	500	
1	Red	5000K-ND	.41	.37	.25	5000
	Black	5001K-ND	.41	.37	.25	5001
	White	5002K-ND	.41	.37	.25	5002
	Orange	5003K-ND	.41	.37	.25	5003
	Yellow	5004K-ND	.41	.37	.25	5004
	Brown	5115K-ND NEW!	.41	.37	.25	5115
	Green	5116K-ND NEW!	.41	.37	.25	5116
	Blue	5117K-ND NEW!	.41	.37	.25	5117
	Grey	5118K-ND NEW!	.41	.37	.25	5118
	Purple	5119K-ND NEW!	.41	.37	.25	5119
2	Red	5005K-ND	.41	.39	.26	5005
	Black	5006K-ND	.41	.39	.26	5006
	White	5007K-ND	.41	.39	.26	5007
	Orange	5008K-ND	.41	.39	.26	5008
	Yellow	5009K-ND	.41	.39	.26	5009
	Brown	5120K-ND NEW!	.41	.39	.26	5120
	Green	5121K-ND NEW!	.41	.39	.26	5121
	Blue	5122K-ND NEW!	.41	.39	.26	5122
	Grey	5123K-ND NEW!	.41	.39	.26	5123
	Purple	5124K-ND NEW!	.41	.39	.26	5124
3	Red	5010K-ND	.41	.39	.26	5010
	Black	5011K-ND	.41	.39	.26	5011

Fig.	Base Color	Digi-Key Part No.	Price Each			Keystone Part No.
			10	100	500	
3	White	5012K-ND	.41	.39	.26	5012
	Orange	5013K-ND	.41	.39	.26	5013
	Yellow	5014K-ND	.41	.39	.26	5014
	Brown	5125K-ND NEW!	.41	.39	.26	5125
	Green	5126K-ND NEW!	.41	.39	.26	5126
	Blue	5127K-ND NEW!	.41	.39	.26	5127
4	Grey	5128K-ND NEW!	.41	.39	.26	5128
	Purple	5129K-ND NEW!	.41	.39	.26	5129
	White	6042K-ND NEW!	1.86	1.57	1.13	6042
5	Red	6043K-ND	1.86	1.57	1.13	6043
	Black	6044K-ND	1.86	1.57	1.13	6044
	Black	11012-BK-ND NEW!	3.77	3.70	3.25	11012-B
6	Red	11012-RK-ND NEW!	3.77	3.70	3.25	11012-R
	White	11012K-ND NEW!	3.75	3.44	3.02	11012
	Black	11014-BK-ND NEW!	5.63	5.53	4.86	11014-B
7	Red	11014-RK-ND NEW!	5.63	5.53	4.86	11014-R
	White	11014K-ND NEW!	4.61	4.53	3.98	11014
	Black	11016-BK-ND NEW!	4.99	4.91	4.31	11016-B
8	Red	11016-RK-ND NEW!	4.99	4.91	4.31	11016-R
	White	11016K-ND NEW!	4.80	4.71	4.14	11016
9	None	5020K-ND NEW!	.26	.24	.16	5020
10	None	5021K-ND NEW!	.24	.22	.15	5021

NEW! Terminal Pins and Turrets



K

Fig.	Dimensions Inch (mm)				Digi-Key Part No.	Price Each			Keystone Part No.
	A	B	C	D		1	10	100	
1	.250 (6.4)	.148 (3.8)	.100 (2.5)	—	11071K-ND	1.17	1.02	.86	11071
	.585 (14.9)	.148 (3.8)	.100 (2.5)	—	11074K-ND	1.65	1.54	1.39	11074
2	.250 (6.4)	.148 (3.8)	.125 (3.2)	—	11100K-ND	1.65	1.54	1.39	11100
	.328 (8.3)	.171 (4.3)	.150 (3.8)	—	11113K-ND	1.89	1.76	1.59	11113
	.390 (9.9)	.171 (4.3)	.150 (3.8)	—	11114K-ND	1.89	1.76	1.59	11114
3	.315 (8.0)	.075 (1.9)	.100 (2.5)	.135 (3.43)	11150K-ND	1.89	1.76	1.59	11150
	.250 (6.4)	.093 (2.4)	.100 (2.5)	.165 (4.19)	11152K-ND	1.21	1.07	.90	11152
	.250 (6.4)	.148 (3.8)	.100 (2.5)	.165 (4.19)	11155K-ND	1.54	1.43	1.30	11155
4	.250 (6.4)	.148 (3.8)	.100 (2.5)	.149 (3.78)	11216K-ND	1.35	1.19	1.00	11216
	.375 (9.5)	.148 (3.8)	.230 (5.8)	.238 (6.05)	11217K-ND	1.77	1.65	1.49	11217
5	.140 (3.6)	.075 (1.9)	.100 (2.5)	.270 (6.9)	11218K-ND	2.12	1.98	1.79	11218
	.195 (5.0)	.172 (4.4)	.125 (3.2)	.180 (4.6)	11251K-ND	1.35	1.19	1.00	11251

Fig.	Dimensions Inch (mm)				Digi-Key Part No.	Price Each			Keystone Part No.
	A	B	C	D		1	10	100	
7	.250 (6.4)	.093 (2.4)	.080 (2.0)	—	11301K-ND	1.48	1.30	1.10	11301
	.194 (4.9)	.148 (3.8)	.140 (3.6)	—	11303K-ND	1.77	1.65	1.49	11303
	.290 (7.4)	.148 (3.8)	.165 (4.2)	—	11306K-ND	1.27	1.11	.94	11306
	.437 (11.1)	.148 (3.8)	.165 (4.2)	—	11308K-ND	1.77	1.65	1.49	11308
8	.210 (5.3)	.148 (3.8)	.100 (2.5)	—	11311K-ND	1.77	1.65	1.49	11311
	.210 (5.3)	.171 (4.3)	.155 (3.9)	—	11312K-ND	1.77	1.65	1.49	11312
9	.154 (3.9)	—	.360 (9.1)	.125 (3.2)	11350K-ND	2.85	2.64	2.42	11350
10	.240 (6.0)	—	.510 (12.9)	.250 (6.4)	11351K-ND	3.73	3.44	3.15	11351
11	.425 (10.8)	—	.565 (14.3)	.250 (6.4)	11363K-ND	4.33	4.05	3.98	11363
12	.368 (9.3)	—	.510 (12.9)	.250 (6.4)	11364K-ND	6.47	6.04	5.94	11364

Digi-Reel® Most SMT cutdown parts are available on a Digi-Reel®. For Digi-Reel part number, change 1-ND to 6-ND or CT-ND to DKR-ND. See Digi-Key® Services on page 2 for additional information.

Free shipping on orders over \$200 CAD! All prices in Canadian dollars and include duty and brokerage fees.

2512 (CA2011)

1-800-344-4539 • www.digikey.ca • 218-681-6674 • Fax: 218-681-3380