



Reed Relays (Cont.)



Dimensions in Inches (mm)

Fig. 6

The SIP relay is the industry choice for a wide variety of designs where economy, performance and a compact package are needed. The 9007 Spartan Series is a general purpose economy version of the 9001 for applications with less stringent requirements. The 9081 Spartan Series is similar to the 9007, but with alternate industry standard footprints to accommodate other options, including Form C types. These relays are well suited for applications in Security, Instrumentation and Modems.

Series	Dimensions - Inches (mm)			
	L	W	H	C
9001/9007	.760 (19.30)	.200 (5.08)	.300 (7.62)	.200 (5.08)
9002	.760 (19.30)	.200 (5.08)	.300 (7.62)	.100 (2.54)
9091/9094	.600 (15.24)	.150 (3.81)	.275 (6.98)	.150 (3.81)
9081	.890 (22.61)	.275 (6.99)	.315 (8.0)	.200 (5.08)

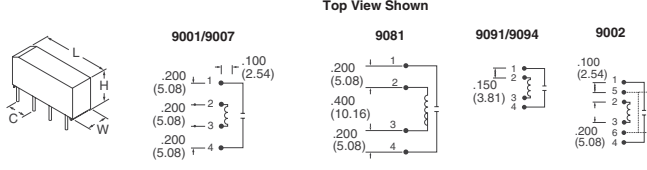


Fig. 7

The SIP relay is the industry choice for a wide variety of designs where economy, performance and a compact package are needed. The 9081C are 2 x SPST-C/O relays offered in industry standard packages. Use 9081C (2 x .4 x 2) SIP for industry standard footprint applications or 9081C1 (2 x .2 x 2 x .2) for standard footprint applications requiring a SPDT function. These relays are well-suited for applications in Security, Instrumentation and Modems.

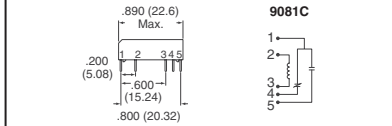


Fig. 8

The 9012 package dimensions are 47% smaller than standard 9000 SIPs, yet the relay retains the 10W switch ratings of its larger counterparts. The 9011 package dimensions are 65% smaller than the standard 9000 SIPs and incorporates the RI-70 switch rated 3W. The 9117 goes one step further, reducing package size by 65% from standard 9000 SIPs. This is the smallest SIP footprint with a 3W rating. These miniature SIP relays are ideal for use in ATE applications and other high reliability test, measurements and telecommunications applications where high board density and long life are key requirements.

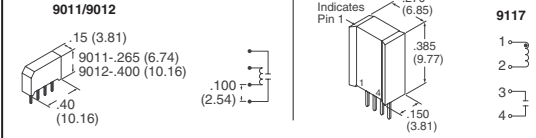


Fig. 9

The 9092 model, because of its increased height, allows for incorporation of 2 form A switches in the same board space. These miniature SIP relays utilize Coto's 10W switch technology, making these SIP relays ideal for use in ATE applications and other high reliability test, measurement and telecommunications applications where high board density and long life are key requirements.

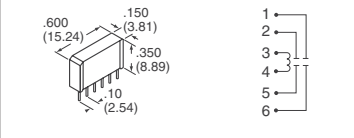


Fig. 10

The 9104 Series adds high voltage switching 1000V capability and high voltage standoff capability to a SIP relay package. These high voltage, high performance relays are ideally suited for Automatic Test Equipment, Instrumentation, and Process Control applications where voltage isolation is a key design requirement.

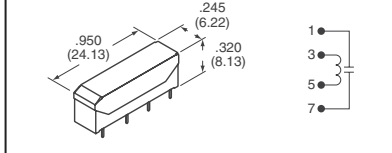


Fig.	Circuit	Coil Voltage (DC)	Coil Current (mA)	Switching Current (A)	Carry Current (A)	Additional Features	Digi-Key Part No.	1	10	50	100	Coto Part No.
7	SPDT-C/O	24	24	0.4	1.0	With EMI Shield	306-1178-ND	10.07	8.72	7.36	6.39	9081C-12-10
	SPDT-C/O	12	12	0.4	1.0	Standard Version	306-1179-ND	9.43	8.16	6.89	5.99	9081C-24-00
	SPDT-C/O	24	12	0.4	1.0	With EMI Shield	306-1180-ND	10.18	8.82	7.45	6.47	9081C-24-10
8	SPST	5	10	0.25	0.5	With EMI Shield	306-1130-ND	8.64	7.32	6.12	4.93	9011-05-10
	SPST	5	10	0.25	0.5	With EMI Shield and Diode	306-1131-ND	8.93	7.57	6.33	5.09	9011-05-11
	SPST	12	16	0.25	0.5	With EMI Shield	306-1132-ND	9.04	7.66	6.41	5.15	9011-12-10
	SPST	12	16	0.25	0.5	With EMI Shield and Diode	306-1133-ND	7.47	6.47	5.46	4.74	9011-12-11
	SPST	5	10	0.5	1.5	With EMI Shield	306-1134-ND	7.04	5.96	4.99	4.01	9012-05-10
	SPST	5	10	0.5	1.5	With EMI Shield and Diode	306-1135-ND	7.33	6.21	5.19	4.18	9012-05-11
	SPST	12	16	0.5	1.5	With EMI Shield	306-1136-ND	7.41	6.27	5.24	4.22	9012-12-10
	SPST	12	16	0.5	1.5	With EMI Shield and Diode	306-1137-ND	7.70	6.52	5.45	4.39	9012-12-11
	SPST	5	12	0.25	0.5	With EMI Shield	306-1181-ND	12.49	10.81	9.13	7.93	9117-05-10
9	DPST	5	13.3	0.5	1.2	With EMI Shield	306-1182-ND	12.66	10.96	9.26	8.04	9117-05-11
	DPST	5	13.3	0.5	1.2	With EMI Shield and Diode	306-1183-ND	12.14	10.51	8.87	7.71	9092-05-10
	DPST	12	16	0.5	1.2	With EMI Shield and Diode	306-1184-ND	12.31	10.66	9.00	7.82	9092-05-11
	DPST	12	16	0.5	1.2	With EMI Shield	306-1186-ND	12.20	10.56	8.92	7.74	9092-12-10
10	SPST	5	28.5	0.5	1.3	With EMI Shield	306-1193-ND	12.14	10.51	8.87	7.71	9104-05-10
	SPST	5	28.5	0.5	1.3	With EMI Shield and Diode	306-1194-ND	12.31	10.66	9.00	7.82	9104-05-11
	SPST	12	24	0.5	1.3	With EMI Shield	306-1195-ND	12.20	10.56	8.92	7.74	9104-12-10
	SPST	12	24	0.5	1.3	With EMI Shield and Diode	306-1196-ND	12.34	10.69	9.02	7.84	9104-12-11



High Voltage Reed Relays

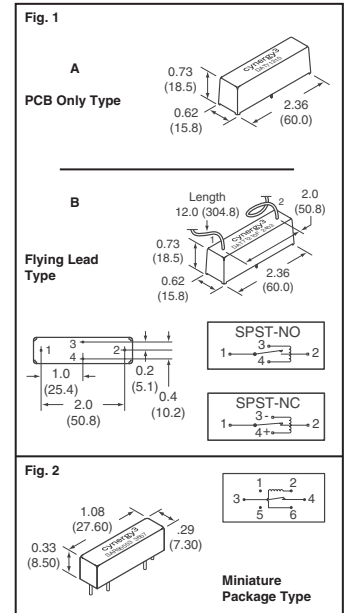
Very high isolation voltage is achieved through the use of high vacuum reed switches with Tungsten contacts that makes these relays well suited for high reliability applications such as cardiac defibrillators, test equipment and high voltage power supplies.



Dimensions in Inches (mm)

Fig.	Circuit	Coil Voltage (VDC)	Isolation Voltage (kV)	Switching Power (W)	Switching Voltage (kV)	Additional Features	Digi-Key Part No.	1	10	50	100	Cynergy3 Part No.
10kV - 15kV Relays												
1A	SPST-NO	5	10	50	7	PCB only	725-1027-ND	29.30	27.90	26.50	25.78	DAT70510
1B	SPST-NO	5	10	50	7	Flying Leads	725-1028-ND	35.94	34.23	32.51	31.65	DAT70510F
1A	SPST-NO	5	15	50	10	PCB only	725-1029-ND	42.66	40.63	38.58	37.55	DAT70515
1A	SPST-NO	12	10	50	7	PCB only	725-1030-ND	29.30	27.90	26.50	25.78	DAT71210
1B	SPST-NO	12	10	50	7	Flying Leads	725-1031-ND	35.94	34.23	32.51	31.65	DAT71210F
1A	SPST-NO	12	10	50	7	.250" QC Terminal	725-1054-ND	35.94	34.23	32.51	31.65	DAT71210S
1A	SPST-NO	12	15	50	10	PCB only	725-1032-ND	42.66	40.63	38.58	37.55	DAT71215
1B	SPST-NO	12	15	50	10	Flying Leads	725-1033-ND	49.33	46.97	44.60	43.41	DAT71215F
1A	SPST-NO	24	10	50	7	PCB only	725-1034-ND	29.30	27.90	26.50	25.78	DAT72410
1B	SPST-NO	24	10	50	7	Flying Leads	725-1035-ND	35.94	34.23	32.51	31.65	DAT72410F
1A	SPST-NO	24	10	50	7	.250" QC Terminal	725-1055-ND	35.94	34.23	32.51	31.65	DAT72410S
1A	SPST-NO	24	15	50	10	PCB only	725-1036-ND	42.66	40.63	38.58	37.55	DAT72415
1B	SPST-NO	24	15	50	10	Flying Leads	725-1037-ND	49.33	46.97	44.60	43.41	DAT72415F
10kV Relays												
1A	SPST-NC	5	10	50	7	PCB only	725-1038-ND	35.42	33.71	32.03	31.17	DBT70510
1B	SPST-NC	5	10	50	7	Flying Leads	725-1039-ND	42.08	40.08	38.06	37.05	DBT70510F
1A	SPST-NC	12	10	50	7	PCB only	725-1040-ND	35.42	33.71	32.03	31.17	DBT71210
1B	SPST-NC	12	10	50	7	Flying Leads	725-1041-ND	42.08	40.08	38.06	37.05	DBT71210F
1A	SPST-NC	12	10	50	7	.250" QC Terminal	725-1056-ND	42.08	40.08	38.06	37.05	DBT71210S
1A	SPST-NO	12	10	50	10	PCB only	725-1047-ND	27.11	25.81	24.51	23.85	DAR71210
1A	SPST-NC	12	10	50	10	PCB only	725-1049-ND	33.27	31.68	30.09	29.28	DBR71210
1A	SPST-NC	24	10	50	7	PCB only	725-1042-ND	35.42	33.71	32.03	31.17	DBT72410
1B	SPST-NC	24	10	50	7	Flying Leads	725-1043-ND	42.08	40.08	38.06	37.05	DBT72410F
1A	SPST-NC	24	10	50	7	.250" QC Terminal	725-1057-ND	42.08	40.08	38.06	37.05	DBT72410S
1A	SPST-NO	24	10	50	10	PCB only	725-1048-ND	27.11	25.81	24.51	23.85	DAR72410
1A	SPST-NC	24	10	50	10	PCB only	725-1050-ND	33.27	31.68	30.09	29.28	DBR72410
3kV Miniature Relays												
2	SPST-NO	5	3	10	.02	Miniature Package	725-1044-ND	20.43	19.45	18.48	17.98	SAR90503
2	SPST-NO	12	3	10	.02	Miniature Package	725-1045-ND	20.43	19.45	18.48	17.98	SAR91203
2	SPST-NO	24	3	10	.02	Miniature Package	725-1046-ND	20.43	19.45	18.48	17.98	SAR92403
5kV Miniature Relays												
2	SPST-NO	5	5	10	.02	Miniature Package	725-1051-ND†	22.60	21.53	20.43	19.88	SAR90505
2	SPST-NO	12	5	10	.02	Miniature Package	725-1052-ND†	22.60	21.53	20.43	19.88	SAR91205
2	SPST-NO	24	5	10	.02	Miniature Package	725-1053-ND†	22.60	21.53	20.43	19.88	SAR92405

† DC only, Pin 3 +HV



Free shipping on orders over \$200 CAD! All prices in Canadian dollars and include duty and brokerage fees.

2370 (CA2011)

1-800-344-4539 • www.digikey.ca • 218-681-6674 • Fax: 218-681-3380