



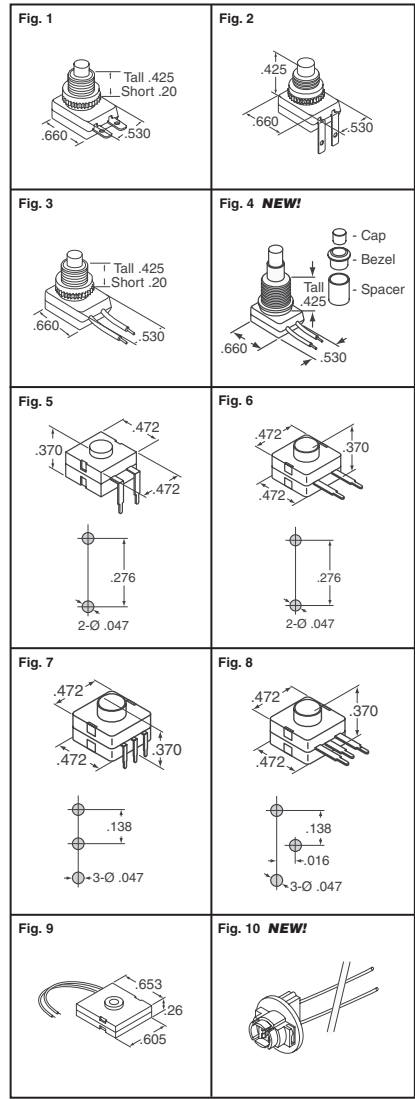
Plastic Pushbutton Switches

Features: • 3/8-27 Thread (Nut is included) • 4.5" Wireleads



Dimensions in Inches

Fig.	Circuit	Function	Termination	Bushing	Actuator Color	Body Color	Contact Rating	Digi-Key Part No.	Price Each	Judco Part No.			
Solder Tab Pushbuttons													
1	SPST	On, Off	.110 QC	Tall	Red	Black	14VDC, 2A	501PB-ND	1.55	1.32	1.17	40-1672-02	
	SPST	On, Off	.110 QC	Tall	Black	Black	14VDC, 2A	508PB-ND	1.83	1.55	1.38	40-2502-01	
	SPST	On, Off	.110 QC	Tall	White	Black	14VDC, 5A	537PB-ND	2.32	1.97	1.76	40-3438-02	
	SPST	Momentary N/O	.110 QC	Tall	Red	Black	14VDC, 2A	502PB-ND	2.05	1.74	1.56	40-1673-01	
	SPST	Momentary N/O	.110 QC	Tall	Black	Black	14VDC, 2A	509PB-ND	1.63	1.38	1.23	40-3429-00	
	SPST	On, Off	.110 QC	Tall	Black	Black	14VDC, 5A	544PB-ND	1.89	1.60	1.42	40-4532-00	
	SPST	On, Off	.110 QC	Short	Black	Black	14VDC, 5A	550PB-ND	1.80	1.52	1.36	40-4520-00	
	SPST	Momentary N/C	.110 QC	Tall	Red	Black	14VDC, 2A	503PB-ND	1.84	1.56	1.39	40-1880-02	
	SPST	Momentary N/C	.110 QC	Tall	Black	Black	14VDC, 2A	510PB-ND	2.04	1.73	1.54	40-2504-01	
	SPST	Momentary N/C	.110 QC	Tall	Red	Black	14VDC, 2A	536PB-ND	2.33	1.98	1.76	40-3437-02	
	2	SPST	Mom N/C Tactile Feel	.110 QC	Tall	Black	Black	14VDC, 5A	556PB-ND	2.30	1.95	1.74	40-4689-00
		SPST	On, Off Tactile Feel	.110 QC	Tall	Black	Black	14VDC, 5A	557PB-ND	2.11	1.79	1.59	40-4677-00
Wire Lead Pushbuttons													
3	SPST	On, Off	18AWG	Short	Black	Black	14VDC, 2A	528PB-ND	2.26	1.91	1.70	40-3352-02	
	SPST	On, Off (Initial Mom On)	18AWG	Short	Black	Black	14VDC, 2A	526PB-ND	3.02	2.56	2.28	40-3355-01	
	SPST	Mom N/O Tactile Feel	20AWG	Short	Black	Black	14VDC, 2A	563PB-ND	2.92	2.48	2.21	40-4692-00	
	SPST	On, Off	18AWG	Short	Black	Black	14VDC, 5A	546PB-ND	2.12	1.79	1.60	40-4525-00	
	SPST	Momentary N/C	18AWG	Short	Black	Black	14VDC, 5A	561PB-ND	2.37	2.01	1.79	40-3538-00	
	SPST	On, Off	18AWG	Tall	Red	Black	14VDC, 2A	505PB-ND	2.21	1.88	1.67	40-2386-00	
	SPST	On, Off	20AWG	Tall	Black	Black	14VDC, 2A	504PB-ND	1.73	1.47	1.31	40-2385-01	
	SPST	On, Off (Initial Mom On)	18AWG	Tall	Black	Black	14VDC, 2A	525PB-ND	2.60	2.21	1.97	40-4463-00	
	SPDT	On1, On2	18AWG	Tall	Black	Black	14VDC, 2A	527PB-ND	2.42	2.06	1.83	40-4169-00	
	SPDT	On1, Off, On2	18AWG	Tall	Black	Black	14VDC, 2A	522PB-ND	2.83	2.40	2.14	40-3657-00	
	SPDT	Off, On1, On1 and 2, On2	18AWG	Tall	White	Black	14VDC, 2A	524PB-ND	2.92	2.47	2.21	40-3658-01	
	SPST	Momentary N/O	18AWG	Tall	Red	Black	14VDC, 2A	506PB-ND	1.93	1.63	1.46	40-2390-00	
SPST	Momentary N/O	18AWG	Tall	Black	Black	14VDC, 2A	507PB-ND	1.93	1.63	1.46	40-2388-01		
SPST	Mom N/O Overtravel	18AWG	Tall	Black	Black	14VDC, 2A	521PB-ND	2.01	1.70	1.52	40-3573-02		
SPDT	Momentary N/O	18AWG	Tall	Red	Black	14VDC, 2A	523PB-ND	4.16	3.53	3.14	40-2531-01		
SPST	Mom N/O Tactile Feel	18AWG	Tall	Black	Black	14VDC, 2A	562PB-ND	3.11	2.63	2.34	40-4394-00		
SPST	On, Off	18AWG	Tall	Black	Black	14VDC, 5A	545PB-ND	2.10	1.78	1.59	40-4526-00		
SPST	Mom N/C Tactile Feel	18AWG	Tall	Black	Black	14VDC, 5A	558PB-ND	2.22	1.88	1.68	40-4679-00		
UL Recognized Pushbuttons													
1	SPST	On, Off	.110 QC	Tall	Black	Black	14VDC, 10A	547PB-ND	1.99	1.69	1.51	40-4523-00	
	SPST	On, Off	.110 QC	Short	Black	Black	14VDC, 10A	549PB-ND	1.92	1.63	1.45	40-4528-00	
	SPST	On, Off	.110 QC	Tall	Black	Black	125VAC, 6A	548PB-ND	2.27	1.92	1.72	40-4524-00	
	SPST	Mom N/C Tactile Feel	.110 QC	Tall	Black	Black	14VDC, 10A	553PB-ND	2.26	1.91	1.71	40-4675-00	
	SPST	On, Off Tactile Feel	.110 QC	Tall	Black	Black	125VAC, 6A	554PB-ND	2.31	1.96	1.75	40-4684-00	
	SPST	On, Off Tactile Feel	.110 QC	Tall	Black	Black	14VDC, 10A	555PB-ND	2.20	1.87	1.67	40-4685-00	
	SPST	Mom N/O Overtravel	.110 QC	Tall	Black	Black	125VAC, 3A-I, 2A-L	520PB-ND	2.49	2.11	1.88	40-3425-03	
	SPST	Momentary N/O	18AWG	Tall	Black	Black	14VDC, 4A	539PB-ND	2.45	2.08	1.85	40-4314-00	
	SPST	On, Off	18AWG	Tall	Black	Black	14VDC, 10A	512PB-ND	1.86	1.58	1.41	40-4325-00	
	SPST	Mom N/C Tactile Feel	18AWG	Tall	Black	Black	14VDC, 10A	541PB-ND	2.54	2.15	1.92	40-4316-00	
	SPST	Momentary N/O	18AWG	Tall	Black	Black	125VAC, 3A-I, 2A-L	538PB-ND	2.83	2.39	2.13	40-4313-00	
	SPST	On, Off	18AWG	Tall	Black	Black	125VAC, 6A	511PB-ND	1.98	1.68	1.50	40-3145-01	
SPST	Mom N/C Tactile Feel	18AWG	Tall	Black	Black	125VAC, 6A	540PB-ND	2.35	2.16	1.93	40-4315-00		
SPST	On, Off	18AWG	Short	Black	Black	125VAC, 6A	552PB-ND	2.24	1.90	1.69	40-4521-00		
NEW! UL Recognized Pushbuttons with Bezel NEW!													
4	SPST	On, Off	18AWG	Tall	Yellow	Black	125VAC, 6A	564PB-ND	3.11	2.63	2.34	40-4743-00	
	SPST	On, Off	18AWG	Tall	Yellow	Black	14VDC, 10A	565PB-ND	3.18	2.69	2.40	40-4744-00	
Accessories													
—	Rubber Boot with Nut, Fits Tall Bushing, Black							513PB-ND	.89	.75	.67	19-1088-00	
	Rubber Boot with Nut, Fits Tall Bushing, Red							531PB-ND	.92	.78	.70	19-1103-00	
	Rubber Boot with Nut, Fits Short Bushing, Black							532PB-ND	1.04	.88	.79	19-1082-00	
	Replacement Nut, Black Plastic							516PB-ND	.18	.16	.14	18-1012-02	
	Brass Knurled Nut							533PB-ND	.71	.60	.54	18-1010-00	
	Brass Hex Nut							534PB-ND	.92	.78	.70	18-1006-00	
	Nickel Hex Nut							535PB-ND	.95	.82	.73	18-1017-00	
Mini Flat-Pac Pushbuttons													
5	SPST	On, Off	Right Angle	—	Yellow	Black	14VDC, 500mA	519PB-ND	1.48	1.26	1.12	50-0015-00	
6	SPST	On, Off	Straight	—	Yellow	Black	14VDC, 500mA	518PB-ND	1.48	1.26	1.12	50-0014-00	
7	SPDT	On1, Off, On2	Right Angle	—	Yellow	Black	14VDC, 500mA	520PB-ND	1.39	1.18	1.05	50-0041-00	
8	SPDT	On1, On2, Off	Right Angle	—	Blue	Black	12VDC, 500mA	542PB-ND	1.34	1.14	1.01	50-0088-00	
8	SPDT	On1, Off, On2	Straight	—	Yellow	Black	14VDC, 500mA	530PB-ND	1.34	1.14	1.01	50-0063-00	
Flat-Pac Pushbuttons													
9	SPST	On, Off	Right Angle	—	Black	Black	14VDC, 2A	514PB-ND	2.56	2.16	1.93	40-1801-03	
	SPST	On, Off	Right Angle	—	Black	Black	14VDC, 2A	515PB-ND	2.73	2.31	2.06	40-3979-00	
	SPST	Mom N/O Tactile Feel	Right Angle	—	White	Black	14VDC, 2A	559PB-ND	2.90	2.45	2.19	40-4681-00	
	SPST	Mom N/C Tactile Feel	20AWG	—	Black	Black	14VDC, 2A	560PB-ND	2.55	2.16	1.92	40-4682-00	
NEW! Light Bulb Socket NEW!													
10	T-3 1/4 - T-5 Wedge Base Bulb Socket, Black, 20AWG, 4.50" Wires							566PB-ND	1.36	1.15	1.02	42-0711-00	



NEW! Pushbutton Switches — GPB Series

GPB series pushbutton switches are adaptable to a wide variety of applications.

These high-quality, long-life switches range in size and function and are available in both illuminated and non-illuminated versions.

Switches in this pushbutton series are available with ratings ranging from .5 to 6A @ 125VAC to 1.5A to 3A @ 250VAC as well as 6A @ 14VDC.

They come with various button styles, and the terminations include solder lug and PC Pin. Along with variable functions and mounting styles, nut and snap-fittings are also available.

Note: For listing agencies refer to datasheets on Digi Key website

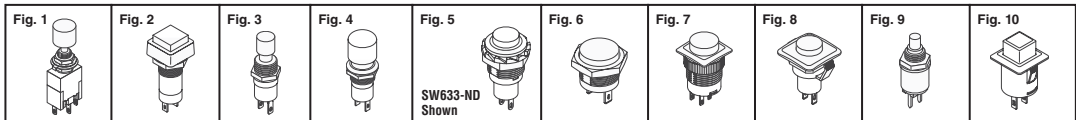


Fig.	Fitting	Circuit	Switch Function	Actuator Color	Electrical Ratings	Digi-Key Part No.	Price Each	CW Industries Part No.			
							1	10	50	100	
1	Nut	SPDT	On-Mom	Black	6A 125 VAC, 3A 250 VAC	SW625-ND	4.58	4.07	3.39	2.93	GPB001PA06A1UB
2	Nut	SPST	Off-Mom	Red	3A 125 VAC, 1.5A 250 VAC	SW626-ND	1.76	1.57	1.31	1.13	GPB023A05BR
		SPST	Off-On	Red	3A 125 VAC, 1.5A 250 VAC	SW627-ND	1.76	1.57	1.31	1.13	GPB023B05BR
3	Nut	SPST	Off-Mom	Red	3A 125 VAC, 1.5A 250 VAC	SW628-ND	1.39	1.24	1.04	.90	GPB024A05BR
		SPST	Off-Mom	Black	3A 125 VAC, 1.5A 250 VAC	SW629-ND	1.39	1.24	1.04	.90	GPB024A05BB
4	Nut	SPST	Off-Mom	Black	3A 125 VAC, 1.5A 250 VAC	SW630-ND	1.91	1.70	1.42	1.22	GPB040A05BB
		SPST	Off-Mom	Red	3A 125 VAC, 1.5A 250 VAC	SW631-ND	1.91	1.70	1.42	1.22	GPB040A05BR
		SPST	Off-On	Red	3A 125 VAC, 1.5A 250 VAC	SW632-ND	2.33	2.08	1.73	1.50	GPB040B05BR
		SPST	Off-Mom	Red	3A 125 VAC, 1.5A 250 VAC	SW633-ND	2.85	2.54	2.11	1.82	GPB040C05BR
5	Nut	SPST	Off-Mom	Black	3A 125 VAC, 1.5A 250 VAC	SW634-ND	3.58	3.18	2.65	2.29	GPB502MA05BR
		SPST	Off-Mom	Red	3A 125 VAC, 1.5A 250 VAC	SW635-ND	3.58	3.18	2.65	2.29	GPB502MA05BR
6	Nut	SPST	Off-Mom	Black	6A 125 VAC, 3A 250 VAC	SW636-ND	2.30	2.05	1.71	1.48	GPB507A05BB
		SPST	Off-Mom	Red	6A 125 VAC, 3A 250 VAC	SW637-ND	2.30	2.05	1.71	1.48	GPB507A05BR
7	Nut	SPST	Off-Mom	Red LED	3A 125 VAC, 1.5A 250 VAC	SW638-ND	5.09	4.53	3.78	3.26	GPB508A05BR
		SPST	Off-Mom	Black	3A 125 VAC, 1.5A 250 VAC	SW639-ND	3.00	2.67	2.23	1.92	GPB510A05BR
8	Snap-in	SPST	Off-Mom	Black	3A 125 VAC, 1.5A 250 VAC	SW640-ND	2.00	1.84	1.53	1.32	GPB081A09B
		SPST	Off-Mom	Red	3A 125 VAC, 1.5A 250 VAC	SW641-ND	2.07	1.84	1.53	1.32	GPB081A09R
9	Nut	SPST	Off-Mom	Black	0.5A 125 VAC	SW642-ND	2.07	1.84	1.53	1.32	GPB54A05BB
		SPST	Off-Mom	Red	0.5A 125 VAC	SW643-ND	2.07	1.84	1.53	1.32	GPB54A05BR
		SPST	Off-On	Black	6A 14 VDC, 3A 28 VDC	SW644-ND	4.42	3.94	3.28	2.83	GPB55A05BB
		SPST	Off-On	Red	6A 14 VDC, 3A 28 VDC	SW645-ND	4.42	3.94	3.28	2.83	GPB55A05BR
10	Snap-in	SPST	Off-Mom	Red LED	6A 14 VDC, 3A 28 VDC	SW646-ND	5.63	5.01	4.18	3.61	GPB55C4L05BR
		SPST	Off								