

APEM Rocker Switches



Dimensions in mm

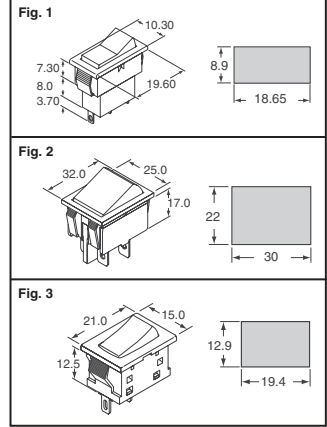
AS Series: Features: • Double insulation • Epoxy sealed terminals • **Insulation Resistance:** 10,000MΩ Minimum • **Electrical Life:** 50,000 cycles • **Operating Temperature Range:** -40°C ~ 85°C

2600 Series: • **Insulation Resistance:** 1,000MΩ Minimum at 500VDC • **Dielectric Strength:** 2,500Vrms Minimum (between terminals) • **Electrical Life:** 10,000 cycles minimum at full load • **Operating Temperature Range:**

-20°C ~ 125°C

FM Series: Features: • Ergonomically designed models for class II appliances • Double shell case provides sealing protection from dust and moisture • International standard panel cut-out • **Insulation Resistance:** 1,000MΩ Minimum • **Electrical Life:** 10,000 cycles at full load • **Mechanical Life:** 50,000 cycles minimum • **Operating Temperature Range:** -20°C ~ 85°C

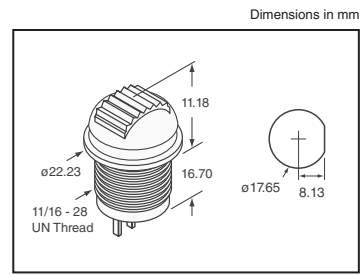
Fig.	Circuit	Switch Function	Actuator Description	Terminals	Contact Ratings	Digi-Key Part No.	Price Each			APEM Part No.
							1	25	100	
AS Series										
1	SPDT	On-Mom	Black	Solder Lug	4A 152VAC	679-1148-ND	4.28	3.90	3.52	AS32S010010
	SPDT	On-On	Black	Solder Lug	4A 152VAC	679-1149-ND	3.74	3.41	3.08	AS36S010010
	SPDT	On-Off-On	Black	Solder Lug	4A 152VAC	679-1150-ND	3.55	3.24	2.93	AS39S010010
	SPDT	Mom-Off-Mom	Black	Solder Lug	4A 152VAC	679-1151-ND	4.28	3.90	3.52	AS37S010010
	SPDT	On-On	Black	PCB	0.4VA 20V	679-1152-ND	3.24	2.96	2.68	AS36P0000
	SPDT	On-Off-On	Black	PCB	0.4VA 20V	679-1153-ND	3.55	3.24	2.93	AS39P0000
SPDT	Mom-Off-Mom	Black	PCB	0.4VA 20V	679-1154-ND	4.04	3.69	3.34	AS37P0000	
2600 Series										
2	DPST	On-Off	Red	.250"QC	16A	679-1178-ND	4.99	4.56	4.12	2641LH/2A216000L0
	DPST	On-Off	Black	.250"QC	16A	679-1179-ND	5.26	4.81	4.34	2641LH/2A212000L0
	DPDT	On-Off-On	Black	.250"QC	10A	679-1180-ND	7.25	6.61	5.97	2649LH/2A212000L0
	DPDT	Mom-Off-Mom	Black	.250"QC	10A	679-1182-ND	7.90	7.21	6.51	2647LH/2A212000L0
FM Series										
3	SPST	On-Off	Black	Solder Lug	6A	679-1183-ND	1.60	1.47	1.32	FMC12A2200000
	SPST	On-On	Black ON OFF	Solder Lug	6A	679-1184-ND	2.70	2.47	2.24	FMC18A2200005
	SPST	Mom-Off	Black	Solder Lug	4A	679-1185-ND	2.16	2.89	2.61	FMC32A2200000
	SPDT	On-Off-On	Black	Solder Lug	6A	679-1186-ND	3.13	1.95	1.76	FMC92A2200000
	SPDT	On-On	Black	Solder Lug	6A	679-1187-ND	1.94	1.78	1.61	FMC62A2200000



Toggle Switches MT Series Environmentally Sealed (IP68)

Specifications: • **Current/Voltage Rating:** 3A @ 250VAC, 6A @ 125VAC, 4A @ 30VDC • **Initial Contact Resistance:** 10mΩ Maximum • **Insulation Resistance:** 1,000MΩ Minimum @ 500VDC • **Dielectric Strength:** 1,000Vrms 50Hz Minimum between terminals, 1,500Vrms 50Hz Minimum between terminals and frame • **Contact Bounce:** 2ms Maximum • **Electrical Life At Full Load:** 50,000 cycles • **Low Level or Mechanical Life:** 100,000 cycles • **Operation Temperature:** -40°C ~ 85°C • **Mounting hardware included:** one hex nut and one sealing gasket • **Materials:** • **Actuator:** 6/6 Nylon • **Bushing:** Brass, nickel plated • **Contacts:** Silver, gold plated • **Terminals:** Solder lug • **Terminal Seal:** Epoxy

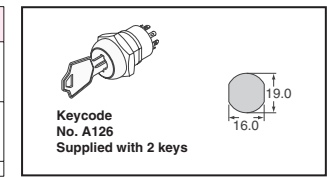
Switch Function	Digi-Key Part No.	Price Each			APEM Part No.
		1	25	100	
Mom-Off-Mom	679-1420-ND	35.63	29.69	26.33	MTG72AD2
On-Mom	679-1421-ND	35.63	29.69	26.33	MTG22AD2
On-On	679-1422-ND	35.63	29.69	26.33	MTG62AD2
On-Off-Mom	679-1423-ND	35.63	29.69	26.33	MTG82AD2
On-Off-On	679-1424-ND	35.63	29.69	26.33	MTG92AD2



Keylock Switches

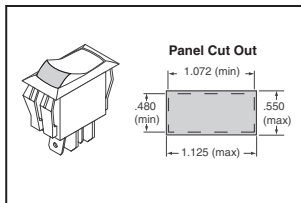
Features: • Multiple key-pull position options • 45° or 90° indexing • **Specifications:** • **Contact Ratings:** Maximum resistive loads: 4A @ 125VAC, 2A @ 250VAC • **Operating Temperature Range:** -30°C ~ 85°C • **Electrical Life:** 6,000 cycles at full load • **Contacts:** Gold over silver over copper alloy • **Lock:** Nickel plated zinc alloy • **Case:** Glass filled polyester • **Mounting Nut:** Nickel plated zinc alloy • **Keys:** Nickel plated brass

Circuit	Keypull Possible	Switch Function	Connected Terminals			Digi-Key Part No.	Price Each			APEM Part No.
			Pos. 1	Pos. 2	Pos. 3		1	25	100	
DP	1,2,3	On-On-On	8-1 4-5	1-2 5-6	7-8 3-4	679-1191-ND	18.77	17.12	15.46	JD7509J
	1	On-On	8-1 4-5	1-3 5-7	—	679-1193-ND	18.31	16.70	15.09	JD7509O
	2	On-On	8-1 4-5	1-3 5-7	—	679-1194-ND	18.31	16.70	15.09	JD7509Q
	1,2	On-On	8-1 4-5	1-3 5-7	—	679-1196-ND	18.31	16.70	15.09	JD7509S
SP	1	On-On	8-1	1-3	—	679-1192-ND	18.31	16.70	15.09	JD7509N
	1,2	On-On	8-1	1-3	—	679-1195-ND	18.31	16.70	15.09	JD7509R
	1	On-Mom	8-1	1-2	—	679-1197-ND	21.33	19.45	17.57	JD7510A
	1	Mom-On-Mom	8-1	1-2	7-8	679-1198-ND	21.33	19.45	17.57	JD7510E
	Replacement Key			8-1	1-2	7-8	679-1835-ND	3.98	3.64	3.28



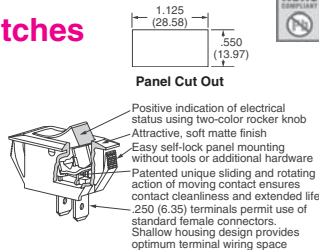
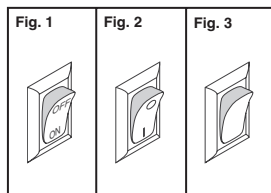
Carling Technologies™ Curvette Rocker Switches

The R Series Curvette line of Rocker Switches are Snap-In power switches used in Appliances, Medical, HVAC, Lawn & Garden and Transportation markets. The Dual Molded Visi-Rocker gives visual indication whether the switch is On or Off and will never burn out like Illuminated Rockers or wear off like Ink Stamped actuators. **Specifications:** 10A @ 250VAC, 16A @ 125VAC, RD221 = 8A @ 250VAC, 12A @ 125VAC • **Dielectric Strength:** UL/CSA: 1000V live to dead metal, 750V across open contacts. • **Electrical Life:** 100,000 cycles Mechanical Life: 100,000 cycles • **Operating Temperature:** 0°C ~ 85°C Terminal: .250" QC



Circuit	Switch Function	Body Color	Actuator Color	Markings	Digi-Key Part No.	Price Each			Carling Tech. Part No.
						1	10	25	
SPST	On-Off	Black	Black	None	432-1110-ND	1.78	1.38	.97	RA901-RB-B-0-N
SPST	On-Off	Black	Black	Vert. "Off-On"	432-1111-ND	1.93	1.49	1.05	RA901-RB-B-A-N
SPST	On-Off	Black	Black	Vert. "On-Off"	432-1112-ND	1.93	1.49	1.05	RA901-RB-B-F-N
SPST	On-Off	Black	Black/Visi-Red	None	432-1115-ND	1.93	1.49	1.05	RA901-VB-B-0-V
SPST	On-Off	Black	Black/Visi-Red	Vert. "Off-On"	432-1116-ND	1.93	1.49	1.05	RA901-VB-B-1-V
SPST	On-Off	Black	Black/Visi-Red	Horz. "Off-On"	432-1117-ND	1.93	1.49	1.05	RA901-VB-B-2-V
SPST	On-Off	Black	Black/Visi-Red	Vert. I-O	432-1118-ND	1.93	1.49	1.05	RA901-VB-B-9-V
SPST	On-Off	White	White/Visi-Red	Vert. "Off-On"	432-1120-ND	2.08	1.60	1.12	RA901-VW-W-1-V
SPDT	On-Off-On	Black	Black	None	432-1121-ND	1.78	1.38	.97	RC911-RB-B-0-N
SPST	Off-Mom	Black	Black	None	432-1122-ND	2.56	1.97	1.38	RD221-MB-B-0-N

CW Industries IndicON™ Rocker Switches



IndicON rocker switches are the right choice wherever you want performance combined with style. Provides users with a positive indication whether switch is "On" or "Off". Unlike lighted rocker switches which may burn out over time, there's never a safety concern with IndicON switches. **Features:** • Economical alternative to lighted switches • Fast and secure mounting - no hardware required • Long life, reliable operation • Two color molding process provides permanent legends • Compatible appearance with other CW switches • **Electrical Specifications:** 16A @ 125VAC rating without precious metals • **Agency Certifications:** UL, CSA and VDE

Fig.	Switch Color	Actuator Color	Circuit	Switch Function	Term. Type Inch (mm)	Digi-Key Part No.	Price Each			CW Industries Part No.	
							1	50	100		
1	Black	Red	SPST	On-Off	250QC (6.35)	SW344-ND	1.22	1.09	.91	.79	NAA-111-B11-00
1	Black	Red	SPDT	On-On	250QC (6.35)	SW349-ND	1.31	1.17	.97	.84	NBA-111-B11-00
2	Black	Red	SPST	On-Off	250QC (6.35)	SW354-ND	1.22	1.09	.91	.79	NAA-111-B12-00
3	Black	Red	SPST	On-Off	250QC (6.35)	SW620-ND	1.22	1.09	.91	.79	NAA-111-B13-00
3	Black	Red	SPDT	On-On	250QC (6.35)	SW621-ND	1.68	1.50	1.25	1.08	NBA-111-B13-00

Free shipping on orders over \$200 CAD! All prices in Canadian dollars and include duty and brokerage fees.

2290 (CA2011)

1-800-344-4539 • www.digikey.ca • 218-681-6674 • Fax: 218-681-3380