



Ceramic Dielectric Trimmer Capacitors SURFTRIM® Surface Mount — GGRP, GKYB and GKY Series

Tuning Tool

GTT-21-ND	(SG2026 - SG2029)	\$44.89
GTT-11-ND	(SG2026 - SG2029)	\$6.19
GTT-9-ND	(SG9013 - SG9028)	\$6.19

GGRP SERIES: • Sealed for washability • Low mounting profile • Carrier and reel packaging standard • NPO temperature coefficient (up to 10pF maximum) • Self resonant frequency above 1GHz **Specifications:** • Operating Temperature Range: -40°C - 85°C • Dielectric Withstanding Voltage: 75VDC • Insulation Resistance: 10⁴MΩ minimum • Voltage Rating: 25VDC • Torque: 0.14 - 2.1 oz-in

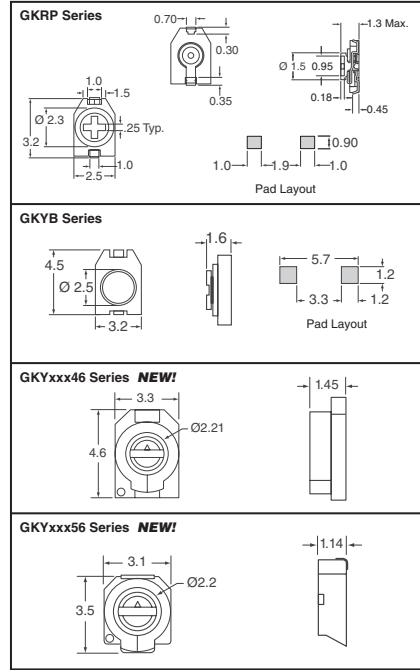
GKYB SERIES: • Suitable for reflow soldering • Low mounting profile (only 1.6mm) • Superior setting drift performance **Specifications:** • Operating Temperature Range: -25°C - 85°C • Voltage Rating: 100VDC • Dielectric Withstanding Voltage: 220VDC • Insulation Resistance: 10⁴MΩ minimum • Torque: 25 - 100 g-cm (0.35 - 1.39 oz-in)

GKYxxx46 SERIES: • Designed for reflow soldering • Setting drift within 1% • Mounting profile 0.0591/1.5 maximum • Dust resistant design • Self resonant frequency above 1GHz **Specifications:** • Operating Temperature Range: -25°C - 85°C • Insulation Resistance: 10⁴MΩ minimum • Torque: 10 - 72 g-sm (0.14 - 1.0 oz-in)

GKYxxx56 SERIES: • Suitable for reflow soldering • Superior setting drift performance • Low mounting profile (only 1.45mm) • Carrier and reel packaging • Dust resistant design **Specifications:** • Operating Temperature Range: -25°C - 85°C • Insulation Resistance: 10⁴MΩ minimum • Torque: 10 - 72 g-sm (0.14 - 1.0 oz-in)

Capacitance (pF)		DC Working Voltage	TCC (ppm/°C)	Q Min. (1MHz)	Color Code	Digi-Key Part No.	Cut Tape Pricing			Digi-Key Part No.	Tape and Reel		Sprague-Goodman Part No.
Min.	Max.						5	25	100		Qty.	Pricing	
GGRP Series													
3.0	5.0	25	0 ±500	150	—	SG2026CT-ND	9.20	40.26	126.52	SG2026TR-ND	2,000	740.63/M	GKRP5R066
3.0	10.0	25	0 ±500	150	—	SG2027CT-ND	9.20	40.26	126.52	SG2027TR-ND	2,000	740.63/M	GKRP10066
5.0	20.0	25	N750 ±500	150	—	SG2028CT-ND	9.20	40.26	126.52	SG2028TR-ND	2,000	740.63/M	GKRP20066
7.0	30.0	25	N750 ±500	150	—	SG2029CT-ND	9.20	40.26	126.52	SG2029TR-ND	2,000	740.63/M	GKRP30066
GKYB Series — RoHS Compliant													
1.7	3.0	100	NPO ±300	300	Brown	SG2035CT-ND	3.34	14.63	45.99	—	—	—	GKYB3R066
7.5	30.0	100	N1200 ±500	300	Green	SG2039CT-ND	3.34	14.63	45.99	SG2039TR-ND	1,000	298.05	GKYB30066
NEW! GKYxxx46 Series — RoHS Compliant NEW!													
1.5	3.0	100	0 ±200	500	Black	SG9028CT-ND	6.96	30.44	95.66	SG9028TR-ND	1,000	577.46	GKY3R046
2.0	6.0	100	0 ±300	500	Blue	SG9027CT-ND	6.96	30.44	95.66	SG9027TR-ND	1,000	577.46	GKY6R046
3.0	8.0	100	-750 ±500	500	Violet	SG9026CT-ND	6.96	30.44	95.66	SG9026TR-ND	1,000	577.46	GKY8R046
2.0	10.0	50	0 ±300	500	—	SG9025CT-ND	6.96	30.44	95.66	SG9025TR-ND	1,000	577.46	GKY10046
3.0	15.0	50	0 ±500	500	Pink	SG9024CT-ND	6.96	30.44	95.66	SG9024TR-ND	1,000	577.46	GKY15046
4.5	20.0	50	0 ±500	500	Red	SG9023CT-ND	6.96	30.44	95.66	SG9023TR-ND	1,000	577.46	GKY20046
5.5	30.0	50	-750 ±500	200	Orange	SG9022CT-ND	6.96	30.44	95.66	SG9022TR-ND	1,000	577.46	GKY30046
8.0	40.0	50	-750 ±500	200	Yellow	SG9021CT-ND	6.96	30.44	95.66	SG9021TR-ND	1,000	577.46	GKY40046
NEW! GKYxxx56 Series — RoHS Compliant NEW!													
1.5	3.0	100	0 ±200	500	Black	SG9020CT-ND	8.75	38.30	120.35	SG9020TR-ND	1,000	726.49	GKY3R056
2.0	6.0	100	0 ±300	500	Blue	SG9019CT-ND	8.75	38.30	120.35	SG9019TR-ND	1,000	726.49	GKY6R056
3.0	8.0	100	-750 ±500	500	Violet	SG9018CT-ND	8.75	38.30	120.35	SG9018TR-ND	1,000	726.49	GKY8R056
2.0	10.0	50	0 ±300	500	—	SG9017CT-ND	9.43	41.24	129.61	SG9017TR-ND	1,000	782.37	GKY10056
3.0	15.0	50	0 ±500	500	Pink	SG9016CT-ND	9.43	41.24	129.61	SG9016TR-ND	1,000	782.37	GKY15056
4.5	20.0	50	0 ±500	500	Red	SG9015CT-ND	9.43	41.24	129.61	SG9015TR-ND	1,000	782.37	GKY20056
5.5	30.0	50	-750 ±500	200	Orange	SG9014CT-ND	9.43	41.24	129.61	SG9014TR-ND	1,000	782.37	GKY30056
8.0	40.0	50	-750 ±500	200	Yellow	SG9013CT-ND	9.43	41.24	129.61	SG9013TR-ND	1,000	782.37	GKY40056

• RoHS Compliant



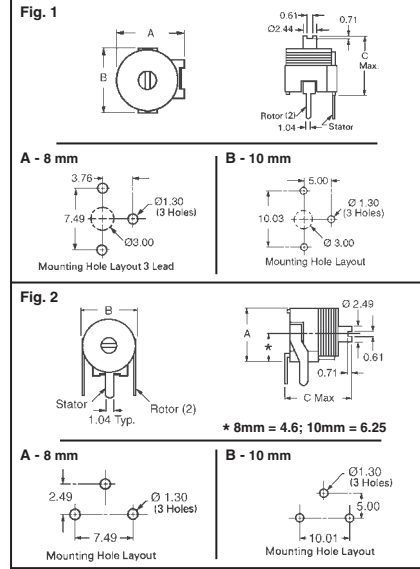
Top and Bottom/Side Adjust FILMTRIM® Plastic Dielectric Capacitors GYA, GYB Series — 8mm; GYC, GYD, GZC, GZD Series — 10mm



Features: • Compact size • Most stable TCC for single turn trimmers • Low cost for commercial/industrial applications • Linear capacitance change vs. rotation **Specifications:** • Dielectric Construction: GYA, GYB, GYC, GYD Series: Polypropylene; GZC and GZD Series: Polycarbonate • Voltage Rating: 100WVDC • Dielectric Withstanding Voltage: 200VDC • Operating Temperature: GYA and GYB Series: -40°C - 70°C; GYC, GYD, GZC, GZD Series: -40°C - 85°C • Contact Resistance: <0.010 Ohm • Insulation Resistance: >10,000MΩ • Torque: GYA and GYB Series: 0.2-3.0 in.-oz.; GYC, GYD, GZC, GZD Series: 0.2-5.5 in.-oz. • Q (minimum) @ 1MHz: GYA, GYB, GYC, GYD Series: 1000; GZC and GZD Series: 200

Tuning Tool SG9004-ND \$18.45

Fig.	Capacitance (pF)		TCC (ppm/°C)	Dimensions (mm)			Color Code	Digi-Key Part No.	Pricing			Sprague-Goodman Part No.
	Min.	Max.		A	B	C			1	10	100	
8mm												
1A	1.6	5	0±300	8.51	7.87	10.2	Gray	SG3000-ND	1.22	10.44	95.66	GYA5R000
	2.0	10	0±300	8.51	7.87	10.2	Yellow	SG3001-ND	1.22	10.44	95.66	GYA10000
	2.0	15	0±400	8.51	7.87	10.2	Blue	SG3002-ND	1.34	11.45	104.92	GYA15000
	2.2	22	0±400	8.51	7.87	10.2	Green	SG3003-ND	1.34	11.45	104.92	GYA22000
	2.3	27	0±350	8.51	7.87	10.2	Red	SG3004-ND	1.38	11.78	108.01	GYA27000
	3.0	36	0±300	8.51	7.87	10.2	Violet	SG3005-ND	2.04	17.51	160.47	GYA36000
2A	2.0	15	0±400	8.51	7.87	10.2	Blue	SG3022-ND	2.32	19.86	182.07	GYB15000
	2.2	22	0±400	8.51	7.87	10.2	Green	SG3023-ND	2.32	19.86	182.07	GYB22000
	2.3	27	0±350	8.51	7.87	10.2	Red	SG3024-ND	2.40	20.54	188.24	GYB27000
10mm												
1B	2.0	15	0±400	11	10.16	10.2	Blue	SG3006-ND	1.69	14.48	132.70	GYC15000
	3.0	20	0±400	11	10.16	10.2	Green	SG3007-ND	1.73	14.81	135.78	GYC20000
	3.5	40	0±350	11	10.16	10.2	Clear	SG3008-ND	1.65	14.14	129.61	GYC40000
	4.5	65	0±350	11	10.16	10.2	Yellow	SG3009-ND	1.69	14.48	132.70	GYC65000
	2.0	15	0±400	11	10.16	10.2	Blue	SG3025-ND	2.32	19.86	182.07	GVD15000
2B	3.0	20	0±400	11	10.16	10.2	Green	SG3026-ND	2.36	20.20	185.16	GVD20000
	3.0	40	0±350	11	10.16	10.2	Clear	SG3027-ND	2.51	21.55	197.50	GVD40000
	4.5	65	0±350	11	10.16	10.2	Yellow	SG3028-ND	2.79	23.90	219.10	GVD65000
1B	8.0	80	0±200	11	10.16	11.4	Red	SG3010-ND	2.28	19.53	178.98	GZC80000
	9.0	100	0±400	11	10.16	11.4	Violet	SG3011-ND	3.61	30.97	283.91	GZC10100
	9.0	120	0±350	11	10.16	11.4	Orange	SG3012-ND	5.39	46.12	422.77	GZC12100
	10.0	150	0±350	11	10.16	12.0	Orange	SG3013-ND	6.28	53.86	493.75	GZC15100
	10.0	180	0±350	11	10.16	12.0	Orange	SG3014-ND	7.35	62.95	577.07	GZC18100
	2B	9.0	100	0±400	11	10.16	11.4	Violet	SG3016-ND	4.56	39.05	357.97
9.0		120	0±350	11	10.16	11.4	Orange	SG3017-ND	6.17	52.85	484.49	GZD12100
10.0		150	0±350	11	10.16	12.0	Orange	SG3018-ND	6.99	59.92	549.30	GZD15100
10.0		180	0±350	11	10.16	12.0	Orange	SG3019-ND	7.82	66.99	614.10	GZD18100

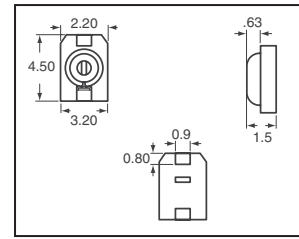


SGC3 Series Chip Trimmer Capacitors



Features: • Ultra miniature size • Constructed with high temperature liquid-crystal polymer for superior durability and low dielectric loss • Designed for reflow soldering • Color coded for easy identification • Mountable by an automatic placer • Easy adjustment using a conventional screwdriver **Specifications:** • Insulation Resistance: 10⁴ MΩ Min • Torque: 0.14 - 1.0 oz-in. • Operating Temperature: -25°C - 85°C

Capacitance (pF)		Temperature Coefficient (ppm/°C)	DC Working Voltage	DC Withstanding Voltage	Color	Digi-Key Part No.	Cut Tape Price Each			Digi-Key Part No.	Tape and Reel Pricing 1,000		Sprague-Goodman Part No.
Min.	Max.						5	25	100		Qty.	Pricing	
1.2	3	N470 ±60	300	100	220	Black	SG9008CT-ND	1.17	1.03	.81	SG9008TR-ND	484.32	SGC3S030
2.2	6	N470 ±60	500	100	220	Blue	SG9009CT-ND	1.17	1.03	.81	SG9009TR-ND	484.32	SGC3S060
3.0	10	N1000 ±250	500	50	110	Ivory	SG9010CT-ND	1.17	1.03	.81	SG9010TR-ND	484.32	SGC3S100
5.5	20	N1000 ±250	500	50	110	Pink	SG9011CT-ND	1.17	1.03	.81	SG9011TR-ND	484.32	SGC3S200
8.0	30	N1200 ±200	500	50	110	Green	SG9012CT-ND	1.17	1.03	.81	SG9012TR-ND	484.32	SGC3S300



Free shipping on orders over \$200 CAD! All prices in Canadian dollars and include duty and brokerage fees.

1-800-344-4539 • www.digikey.ca • 218-681-6674 • Fax: 218-681-3380

(CA2011) 1995