

TAIYO YUDEN



Wound Chip Power Inductors (Cont.)

NR, NRH, NRG and NRS Series

Features: • Small and low profile inductors • Corresponds to high current • Simple and original magnetic shield structure • Structure is strong against shock

Applications: • Small DC/DC converters in cell phones • HDD, DVC, DSC, PDA, LCD displays

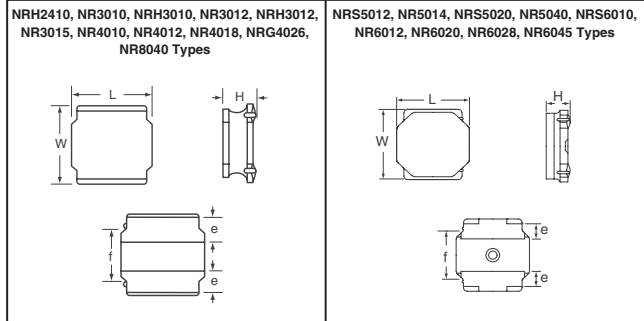


Table with columns: Type, Dimensions - Inch (mm) (L, W, H, e, f), and Dimensions - mm (L, W, H, e, f). Lists various inductor models and their specifications.

Table with columns: Inductance (µH), Tolerance (±), Max. DC Resistance (mΩ), Temp. Rise Current (mA), Digi-Key Part No., Cut Tape Pricing (1, 10, 100), Tape and Reel Qty., Pricing, and Taiyo Yuden Part No. Includes sub-sections for NRH2410, NR3010, and NR3012 types.

Large table with columns: Inductance (µH), Tolerance (±), Max. DC Resistance (mΩ), Temp. Rise Current (mA), Digi-Key Part No., Cut Tape Pricing (1, 100), Tape and Reel Qty., Pricing, and Taiyo Yuden Part No. Lists various inductor models and their specifications.

* For Tape and Reel part number, change 1-ND to 2-ND. NEW! (Continued)

Digi-Reel Most SMT cutdown parts are available on a Digi-Reel. For Digi-Reel part number, change 1-ND to 6-ND or CT-ND to DKR-ND. See Digi-Key Services on page 2 for additional information.

Free shipping on orders over \$200 CAD! All prices in Canadian dollars and include duty and brokerage fees. 1612 (CA2011) 1-800-344-4539 • www.digikey.ca • 218-681-6674 • Fax: 218-681-3380