



# Triacs (0.8 ~ 35.0 Amps)



IT RMS (A)	Package	VDRM (V)	IDRM @25°C (mA)	IGT (mA)	VGT (V)	IH (mA)	Digi-Key Part No.	Price Each			Tape and Reel\$	
								1	10	100	Qty.	Pricing
<b>Sensitive Gate Triacs, Isolated — RoHS Compliant</b>												
0.8	COMPAK	400	.01	3	2	5	L4X3CT-ND†	1.50	1.28	1.09	2,500	655.91/M
1.0	TO-92	200	.01	3	2	5	L201E3-ND	1.40	1.20	1.02	—	—
	TO-92	400	.01	3	2	5	L401E3-ND	1.50	1.28	1.09	—	—
	TO-92	400	.01	5	2	10	L401E5-ND	1.40	1.20	1.02	—	—
	TO-92	600	.01	3	2	5	L601E3-ND	1.69	1.44	1.23	—	—
	TO-92	600	.01	5	2	10	L601E5-ND	1.59	1.36	1.16	—	—
4.0	TO-220AB	200	.01	3	2	5	L2004L3-ND	2.36	2.08	1.76	—	—
	TO-220AB	400	.01	3	2	5	L4004L3-ND	2.45	2.16	1.83	—	—
	TO-220AB	600	.01	3	2	5	L6004L3-ND	2.82	2.48	2.10	—	—
8.0	TO-220AB	400	.02	5	2	10	L4008L6-ND	2.68	2.36	2.00	—	—
	TO-220AB	600	.02	5	2	10	L6008L6-ND	3.04	2.68	2.27	—	—
<b>Sensitive Gate Triacs, Non-Isolated</b>												
8.0	TO-252AA	400	.02	5	2	10	L4008D6CT-ND†	1.98	1.69	1.44	2,500	866.03/M
<b>Triacs, Isolated — RoHS Compliant</b>												
1.0	COMPAK	400	.02	10	2	15	Q4N3CT-ND†	1.50	1.28	1.09	2,500	655.91/M
	COMPAK	600	.02	10	2	15	Q6N3CT-ND†	1.78	1.52	1.30	2,500	781.59/M
	TO-92	200	.02	10	2	15	Q201E3-ND	1.21	1.03	.88	—	—
	TO-92	400	.02	10	2	15	Q401E3-ND	1.35	1.15	.98	—	—
	TO-92	600	.02	10	2	15	Q601E3-ND	1.59	1.36	1.16	—	—
4.0	TO-220AB	200	.05	10	2	20	Q2004L3-ND	2.08	1.77	1.51	—	—
	TO-220AB	400	.05	10	2	20	Q4004L3-ND	2.13	1.88	1.59	—	—
	TO-220AB	600	.05	10	2	20	Q6004L3-ND	2.54	2.24	1.90	—	—
	TO-220AB	600	.05	25	2.5	30	Q6004L4-ND	2.40	2.12	1.80	—	—
8.0	TO-220AB	200	.05	25	2.5	50	Q2008L4-ND	2.31	2.04	1.73	—	—
	TO-220AB	400	.05	25	2.5	50	Q4008L4-ND	2.54	2.24	1.90	—	—
	TO-220AB	600	.05	50	2.5	50	Q6008L5-ND	2.82	2.48	2.10	—	—
10.0	TO-220AB	200	.05	50	2.5	50	Q2010L5-ND	2.49	2.20	1.87	—	—
	TO-220AB	400	.05	25	2.5	35	Q4010L4-ND	2.90	2.56	2.17	—	—
	TO-220AB	400	.05	50	2.5	35	Q4010L5-ND	2.76	2.44	2.07	—	—
	TO-220AB	600	.05	25	2.5	35	Q6010L4-ND	3.45	3.03	2.58	—	—
	TO-220AB	600	.05	50	2.5	35	Q6010L5-ND	3.27	2.87	2.44	—	—
15.0	TO-220AB	200	.05	50	2.5	70	Q2015L5-ND	3.00	2.64	2.24	—	—
	TO-220AB	400	.05	50	2.5	70	Q4015L5-ND	3.31	2.92	2.47	—	—
	TO-220AB	600	.05	50	2.5	70	Q6015L5-ND	3.91	3.44	2.92	—	—
25.0	TO-3	600	.1	50	2.75	50	Q6025P5-ND	13.38	12.13	9.62	—	—
35.0	TO-3	600	.1	50	2.75	50	Q6035P5-ND	16.28	14.76	11.70	—	—
<b>Triacs, Non-Isolated</b>												
4.0	TO-252AA	400	.05	10	2	20	Q4004D3CT-ND†	1.74	1.48	1.27	2,500	761.95/M
6.0	D2-PAK	400	.05	25	2.5	50	Q4006N4RPCT-ND♦†	2.40	2.12	1.80	500	735.58
8.0	TO-220AB	400	.05	25	2.5	50	Q4008R4-ND♦	2.31	2.04	1.73	—	—
	TO-220AB	600	.05	50	2.5	50	Q6008R5-ND♦	2.58	2.27	1.93	—	—
	D2-PAK	600	.05	50	2.5	50	Q6008N5RPCT-ND♦†	2.90	2.56	2.17	500	889.14
10.0	TO-220AB	400	.05	50	2.5	50	Q4010R5-ND♦	2.54	2.24	1.90	—	—
	D2-PAK	400	.05	50	2.5	50	Q4010N5RPCT-ND♦†	2.82	2.48	2.10	500	862.04
15.0	TO-220AB	200	.05	50	2.5	70	Q2015R5-ND♦	2.76	2.44	2.07	—	—
	TO-220AB	400	.05	50	2.5	70	Q4015R5-ND♦	3.04	2.68	2.27	—	—
	TO-220AB	600	.05	50	2.5	70	Q6015R5-ND♦	3.62	3.19	2.71	—	—
25.0	TO-220AB	600	.1	50	2.5	100	Q6025R5-ND♦	4.32	3.83	2.96	—	—

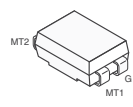
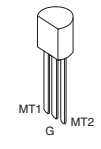
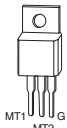
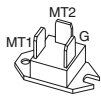
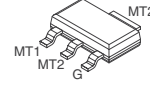
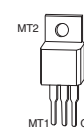
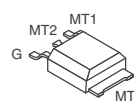
♦ RoHS Compliant † Cut Tape § For Tape and Reel part number, change CT-ND to TR-ND.

Digi-Reel® Most SMT cutdown parts are available on a Digi-Reel®. For Digi-Reel part number, change 1-ND to 6-ND or CT-ND to DKR-ND. See Digi-Key® Services on page 2 for additional information.

Free shipping on orders over \$200 CAD! All prices in Canadian dollars and include duty and brokerage fees.

1-800-344-4539 • www.digikey.ca • 218-681-6674 • Fax: 218-681-3380

(CA2011) 1435

<b>ISOLATED</b>	
<b>COMPAK</b> 	<b>Plastic TO-92</b> 
<b>Thermotab TO-220AB</b> 	<b>TO-3 Base / FASTPAK (SMT)</b> 
<b>SOT-223</b> 	
<b>NON-ISOLATED</b>	
<b>TO-220AB</b> 	<b>SMT TO-252AA</b> 
<b>D2-PAK (SMT)</b> 