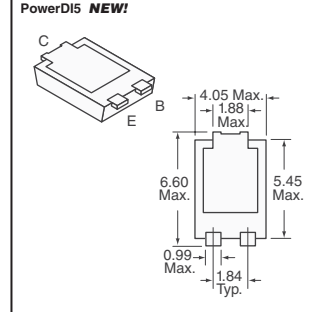
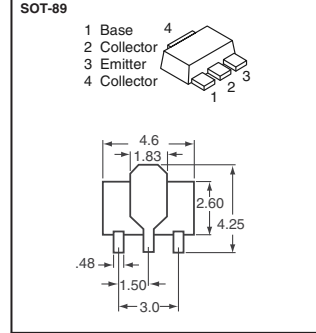
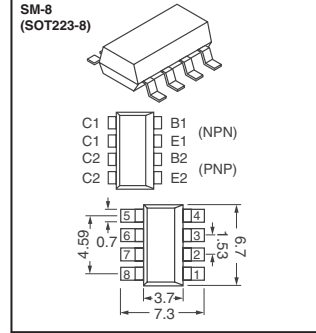
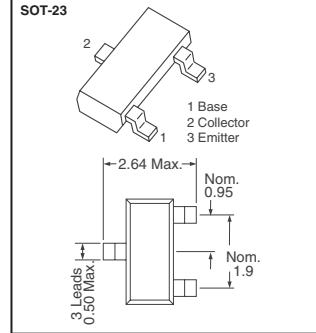
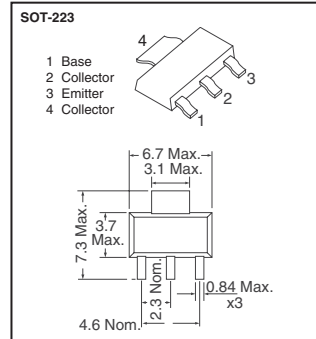




High Voltage Transistors
120-250 Volts (Cont.)



Table with columns: VCEO (V), VcBo (V), Ic (cont.) (A), hFE @Ic @VCE (Min, Max, mA, V), VCE (sat) @Ic @Ib (Max, mA, mA), Packaging Type, Digi-Key Part No., Cut Tape Price Each 1, 10, Digi-Key Part No., Tape and Reel Qty., Pricing. Rows include NPN and PNP transistors for various voltage ratings like 120V, 140V, 150V, 160V, 180V, -140V, -150V, -160V, -180V, -200V.



300-500 Volts

Table with columns: VCEO (V), VcBo (V), Ic (cont.) (A), hFE @Ic @VCE (Min, Max, mA, V), VCE (sat) @Ic @Ib (Max, mA, mA), Packaging Type, Digi-Key Part No., Loose Piece Pricing 1, 10, 100, 1,000. Rows include NPN and PNP transistors for 300V, 400V, -300V, -400V, -500V.

Table with columns: VCEO (V), VcBo (V), Ic (cont.) (A), hFE @Ic @VCE (Min, Max, mA, V), VCE (sat) @Ic @Ib (Max, mA, mA), Packaging Type, Digi-Key Part No., Cut Tape Price Each 1, 10, Digi-Key Part No., Tape and Reel Qty., Pricing. Rows include NPN and PNP transistors for 300V, 350V, 400V, 450V, 500V.

◆ RoHS Compliant

Digi-Reel Most SMT cutdown parts are available on a Digi-Reel. For Digi-Reel part number, change 1-ND to 6-ND or CT-ND to DKR-ND. See Digi-Key Services on page 2 for additional information.

Free shipping on orders over \$200 CAD! All prices in Canadian dollars and include duty and brokerage fees.

1-800-344-4539 • www.digikey.ca • 218-681-6674 • Fax: 218-681-3380

(CA2011) 1247