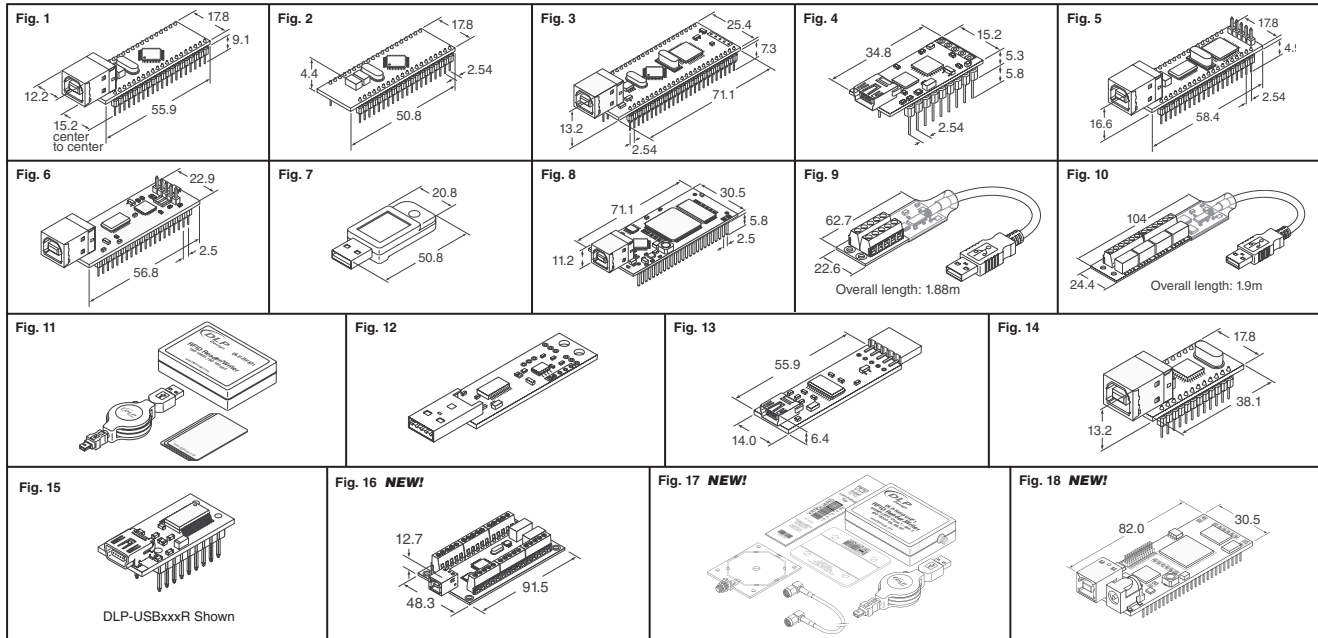


DLP Design USB Interface Modules and Accessories



C

Fig.	Description	Digi-Key Part No.	Price Each	DLP Design Part No.
1	FT2232D USB to UART/FIFO Dual-Channel Module, Pinned	813-1000-ND	39.28	DLP-2232M-G
2	FT2232D USB to UART/FIFO Dual-Channel Module, Plated thru-hole	813-1001-ND	33.61	DLP-2232ML-G
3	FT2232D USB to FIFO Module with PIC16F877A, On board firmware uploader, No programmer required	813-1002-ND	56.11	DLP-2232PB-G
4	Miniature USB Module with PIC18F2410	813-1003-ND	33.61	DLP-232PC
5	Module USB to FIFO with Interface to a PIC16F877A MCU	813-1004-ND	44.89	DLP-245PB-G
6	Module USB to FIFO Interface to an SX48 MCU	813-1006-ND	50.44	DLP-245SY-G
7	USB Security Dongle, with a Hard-Coded Unique Serial Number	813-1007-ND	16.78	DLP-D-G
8	USB FPGA Module with Xilinx Spartan 3E	813-1008-ND	134.60	DLP-FPGA
—	USB FPGA Module with Xilinx Spartan 3E, 200 page Training Manual included	813-1009-ND	224.43	DLP-FPGA-M
9	USB Data Acquisition Board, 8-Channel	813-1010-ND	33.61	DLP-IO8-G
10	USB Relay Latching Module, 4-Channel	813-1011-ND	50.44	DLP-IO4R
11	USB RFID Reader Kit, Includes RFID Reader with Retractable USB Cable, Tag Assortment, 13.56 MHz	813-1012-ND	134.60	DLP-RFID1
—	USB RFID Reader OEM Board, ISO 15693, 18000-3, Tag-It™ HF-I Compatible, 13.56 MHz	813-1013-ND	106.04	DLP-RFID-OG
12	USB Data/Temperature Acquisition Board, 3-Channel, with DS18B20 Temperature Sensor	813-1015-ND	28.05	DLP-TEMP-G
—	USB Temperature and Humidity Sensor with Windows Software for Logging or Alerts	813-1016-ND	100.94	DLP-TH1B
13	USB to UART Module, Type B Mini USB Connector	813-1017-ND	22.44	DLP-TXRX-G
14	USB to UART Module, Type B USB Connector	813-1018-ND	28.05	DLP-USB232M-G
14	USB to FIFO Module, Type B USB Connector	813-1019-ND	28.05	DLP-USB245M-G
—	USB Powered Module RFID Reader, 8-Channel	813-1020-ND	224.38	DLP-RFID-LP8C
—	Ferrite-Based External Antenna	813-1021-ND	22.39	DLP-FANT
—	Coax Cable with Reverse-Polarity SMA Connector	813-1022-ND	19.02	DLP-COAX1
—	External Antenna with Attached 15-foot Coax Cable with Reverse-Polarity SMA Connector	813-1023-ND	44.83	DLP-RFID-ANT
15	USB to Serial UART Module	813-1024-ND	20.20	DLP-USB232R
15	USB to Parallel FIFO Module	813-1025-ND	20.20	DLP-USB245R
15	USB High Speed to UART/FIFO Module, 18-DIP	813-1026-ND	32.49	DLP-USB1232H
16	USB Based 20 Channel Data Acquisition Module	813-1027-ND NEW!	56.05	DLP-IO20
17	Class 1 / Generation 2 RFID Reader-Writer	813-1029-ND NEW!	246.82	DLP-RFID-UHF1B
18	USB - FPGA Module	813-1030-ND NEW!	168.27	DLP-HS-FPGA

MICROCHIP OTP 8-Bit Microcontrollers

Operating Temperature Range: • Industrial: -40°F - 185°F (-40°C - 85°C) • Commercial: 32°F - 158°F (0°C - 70°C)

Program Words	Memory Size		ADC	Timers/ WDT	Interface	Int. Oscillator (MHz)	Max. Speed (MHz)	Operating Temperature	Package	Digi-Key Part No.	Price Each		
	RAM Bytes	I/O Lines									1	10	25
512 x 14	25 x 8	12	—	1-8bit / Yes	—	—	4	Commercial	18-DIP	PIC16HV540-04/P-ND◆	2.27	1.67	1.62
	25 x 8	12	—	1-8bit / Yes	—	—	4	Commercial	18-SOIC	PIC16HV540-04/SO-ND◆	2.29	1.70	1.65
	25 x 8	12	—	1-8bit / Yes	—	—	20	Commercial	18-DIP	PIC16HV540-20/P-ND◆	2.42	1.77	1.72
	25 x 8	12	—	1-8bit / Yes	—	—	20	Commercial	18-SOIC	PIC16HV540-20/SO-ND◆	2.45	1.81	1.77
	25 x 8	12	—	1-8bit / Yes	—	—	4	Industrial	18-DIP	PIC16HV540-04I/P-ND◆	2.27	1.67	1.62
	25 x 8	12	—	1-8bit / Yes	—	—	4	Industrial	18-SOIC	PIC16HV540-04I/SO-ND◆	2.29	1.70	1.65
	25 x 8	20	—	1-8bit / Yes	—	—	4	Commercial	28-DIP	PIC16C55A-04/P-ND◆	2.76	2.04	1.99
	25 x 8	20	—	1-8bit / Yes	—	—	4	Commercial	28-SOIC	PIC16C55A-04/SO-ND◆	2.87	2.11	2.06
	25 x 8	20	—	1-8bit / Yes	—	—	4	Commercial	28-DIP_3°	PIC16C55A-04/SP-ND◆	2.76	2.04	1.99
	25 x 8	20	—	1-8bit / Yes	—	—	4	Industrial	28-DIP	PIC16C55A-04I/P-ND◆	3.03	2.24	2.18
	25 x 8	20	—	1-8bit / Yes	—	—	4	Industrial	28-SOIC	PIC16C55A-04I/SO-ND◆	3.16	2.33	2.27
	25 x 8	20	—	1-8bit / Yes	—	—	20	Commercial	28-DIP	PIC16C55A-20/P-ND◆	3.07	2.27	2.22
	25 x 8	20	—	1-8bit / Yes	—	—	20	Commercial	28-SOIC	PIC16C55A-20/SO-ND◆	3.21	2.36	2.31
	25 x 8	20	—	1-8bit / Yes	—	—	20	Commercial	28-DIP_3°	PIC16C55A-20/SP-ND◆	3.07	2.27	2.22
	25 x 8	20	—	1-8bit / Yes	—	—	4	Commercial	28-DIP	PIC16LC55A-04/P-ND◆	2.90	2.13	2.07
	25 x 8	20	—	1-8bit / Yes	—	—	4	Commercial	28-SOIC	PIC16LC55A-04/SO-ND◆	3.01	2.22	2.16
	80 x 8	13	—	1-8bit / Yes	—	—	4	Commercial	18-DIP	PIC16C554-04/P-ND◆	3.64	3.03	2.92
	80 x 8	13	—	1-8bit / Yes	—	—	4	Commercial	18-SOIC	PIC16C554-04/SO-ND◆	3.73	3.10	2.99
	80 x 8	13	—	1-8bit / Yes	—	—	4	Commercial	18-DIP	PIC16C820A-04/P-ND◆	2.20	1.62	1.59

◆ RoHS Compliant † UVePROM

(Continued)

Free shipping on orders over \$200 CAD! All prices in Canadian dollars and include duty and brokerage fees.

1-800-344-4539 • www.digikey.ca • 218-681-6674 • Fax: 218-681-3380

(CA2011) 687