



Master fclk	Resolution (Bits)	Tuning Word Width (Bits)	Nominal Supply (V)	I Supply Total (Max.)	FS Iout Nominal (mA)	Compliance Range (V)	REFCLK Multiplier	On-Board Comparator	I/O Interface	Package	Digi-Key Part No.	Price Each		
												1	25	100
25MHz	10	32	Single (+3.3), Single (+3.6), Single (+5.0)	15mA	4	1.5	No	No	Parallel	48-LQFP	AD9831ASTZ-ND	12.10	10.90	9.66
25MHz	10	32	Single (+3.6), Single (+5.0)	15mA	4	1.35	No	No	Serial	16-TSSOP	AD9832BRUZ-ND	9.68	8.72	7.74
50MHz	10	32	Single (+5.0)	60mA	20	1.0	No	No	Parallel	48-TQFP	AD9830ASTZ-ND	19.08	17.80	16.53
50MHz	10	28	Single (+2.3 to +5.5), Single (+2.5), Single (+2.7), Single (+3.0), Single (+3.3), Single (3.6), Single (+5.0)	8mA	3	0.8	No	Yes	Serial	20-TSSOP	AD9834BRUZ-ND	9.57	8.62	7.65
75MHz	10	28	Single (+2.3 to +5.5)	8.7mA	3	0.8	No	Yes	Serial	20-TSSOP	AD9834CRUZ-ND	11.14	10.04	8.90
50MHz	10	32	Single (+5.0)	40mA	4	1.35	No	No	Serial	16-TSSOP	AD9835BRUZ-ND	11.14	10.04	8.90
125MHz	10	32	Single (+3.3), Single (+5.0)	96mA	20	1.5	No	Yes	Parallel, Serial	28-SSOP	AD9850BRSZ-ND	21.57	20.13	18.69
180MHz	10	32	Single (+3.0), Single (+3.3), Single (+3.6), Single (+5.0)	130mA	20	1.5	Yes	Yes	Parallel	28-SSOP	AD9851BRSZ-ND	23.63	22.06	20.49
250MHz	10	32	Single (+1.8)	63.5mA	4.6	0.8	Yes	No	Parallel, Serial	32-LFCSFP	AD9913BCPZ-ND	16.83	15.72	14.59
300MHz	12	48	Single (+3.3)	922mA	20	1.0	Yes	Yes	Parallel, Serial	80-LQFP	AD9852ASTZ-ND	26.62	24.84	23.07
300MHz	12	48	Single (+3.3)	1210mA	10	1.0	Yes	Yes	Parallel, Serial	80-LQFP	AD9854ASTZ-ND	28.82	26.90	24.98
400MHz	10	32	Multi (+1.8, +3.3)	N/A	20	2.05	Yes	No	Serial	48-TQFP	AD9855YSVZ-ND	17.00	15.87	14.74
400MHz	14	32	1.8 and 3.3 or 1.8	N/A	10	2.05	Yes	No	Serial	48-TQFP	AD9951YSVZ-ND	23.96	22.36	20.76
400MHz	14	32	Multi (+1.8, +3.3), Single (+1.8)	N/A	10	2.05	Yes	Yes	Serial	48-TQFP	AD9952YSVZ-ND	27.02	25.22	23.42
400MHz	14	32	Multi (+1.8, +3.3), Single (+1.8)	N/A	10	2.05	Yes	No	Serial	48-TQFP	AD9953YSVZ-ND	25.72	24.01	22.30
400MHz	14	32	Multi (+1.8, +3.3), Single (+1.8)	N/A	10	2.05	Yes	Yes	Serial	48-TQFP	AD9954YSVZ-ND	30.06	28.06	26.06
500MHz	10	32	Multi (+1.85, +3.3)	105mA	10	2.3	Yes	—	Serial	56-LFCSFP	AD9958BCPZ-ND	35.28	32.93	30.58
500MHz	10	32	Multi (+1.8, +3.3)	180mA	10	2.3	Yes	—	Serial	56-LFCSFP	AD9959BCPZ-ND	64.73	60.41	56.10
1.0GHz	10	32	Multi (+3.3, +5.0)	N/A	40	3.8	No	No	Parallel, Serial	100-TQFP	AD9858BSVZ-ND	78.70	73.45	68.20
1.0GHz	14	32	Single (+1.8), Single (+3.3)	N/A	20	0.5	Yes	No	Parallel, Serial	100-TQFP	AD9910BSVZ-ND	60.87	56.81	52.76
1.0GHz	14	32	Multi (+1.8, +3.3)	75mA	20	0.5	Yes	—	Serial	100-TQFP	AD9957BSVZ-ND	36.62	34.17	31.73
2.7GHz	14	48	Multi (+1.8, +3.3)	N/A	10	2.3	No	No	Serial	48-LFCSFP	AD9956VCPZ-ND	30.06	28.06	26.06
Evaluation Board for AD9833											AD9833EBZ-ND	170.34	—	—
Evaluation Board for AD9834											AD9834EBZ-ND	170.34	—	—
Evaluation Board for AD9910											AD9910/PCBZ-ND	610.17	—	—
Evaluation Board for AD9913											AD9913/PCBZ-ND	488.14	—	—
Evaluation Board for AD9954											AD9954/PCBZ-ND	488.14	—	—
Evaluation Board for AD9957											AD9957/PCBZ-ND	488.14	—	—
Evaluation Board for AD9958											AD9958/PCBZ-ND	488.14	—	—

antenna Antennas and GPS Module



Dimensions in mm

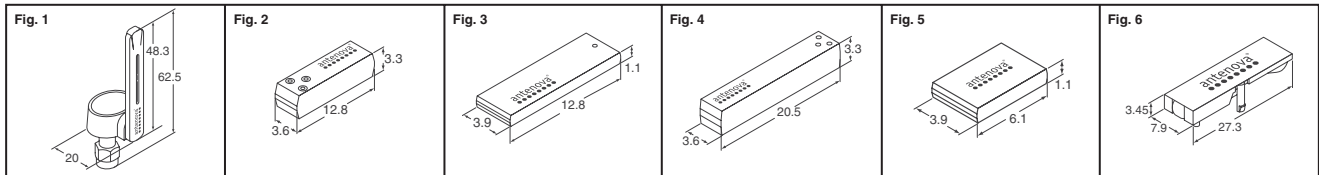
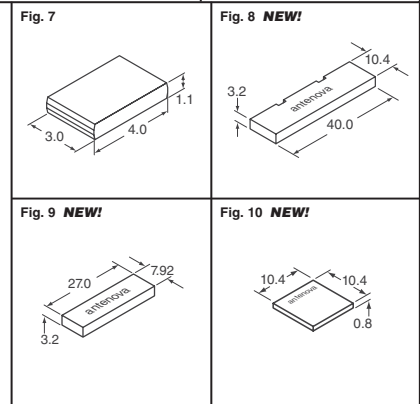


Fig.	Description	Frequency	Gain	Digi-Key Part No.	Cut Tape Price Each			Tape and Reel		Antenna Part No.
					1	25	50	Qty.	Pricing	
Antennas										
1	Titanis Swivel SMA	2.4GHz	4.1dBi	627-1000-ND†	42.08	35.35	27.95	—	—	B4844-01
	Titanis Swivel RPSMA	2.4GHz	4.1dBi	627-1001-ND†	42.08	35.35	27.95	—	—	B6090-01
2	Comata SMD	2.4GHz	-0.5dBi	627-1010-1-ND	11.00	9.82	8.65	2,000	3534.81/M	A6111
3	Rufa SMD	2.4GHz	4.1dBi	627-1011-1-ND	6.68	5.97	5.25	1,000	2146.69	A5839
	Rufa SMD	2.4GHz	4.1dBi	627-1012-1-ND	6.68	5.97	5.25	1,000	2146.69	A5887
4	Mica SMD	2.4GHz	1.2dBi	627-1009-1-ND	12.57	11.23	9.88	2,000	4039.78/M	A5645
5	Impexa SMD	2.4GHz	0.2dBi	627-1013-1-ND	3.30	2.95	2.60	1,000	1060.44	A6150
	Impexa SMD	2.4GHz	0.2dBi	627-1014-1-ND	3.30	2.95	2.60	1,000	1060.44	A6250
6	Flavus Snap-In	2.4GHz	4.0dBi	627-1003-ND†	9.98	8.91	7.84	—	—	1020B5743-01
7	Fusca SMD	2.4 - 2.5GHz	0.4dBi	627-1016-1-ND	3.14	2.81	2.47	1,000	1009.94	A10192
8	Reflexus Penta-band SMD	824 - 960MHz, 1.71 - 2.17GHz	-1.3dBi, -1.5dBi	627-1021-1-ND NEW!	13.28	11.86	10.44	1,000	4267.57	A10315
9	Catvus Penta-band SMD	824 - 960MHz, 1.71 - 2.17GHz	-1.8dBi, -1.6dBi	627-1022-1-ND NEW!	12.41	11.09	9.76	1,500	3989.28/M	A10340
10	Mixtus Dual-band Wi-Fi SMD	2.4 - 2.5GHz, 4.9 - 5.9GHz	-0.5dBi, -2.3dBi	627-1023-1-ND NEW!	9.82	8.77	7.72	2,000	3156.64/M	A10194

† For Tape and Reel part number, change 1-ND to 2-ND. † Bulk



artaflex WirelessUSB™ Modules



Operating in the 2.4GHz ISM band, the Falcon series modules are based on Cypress's WirelessUSB LP technology. The modules offer low-power consumption and deliver data rates up to 1Mb/s, with ranges between 50 meters for print antenna devices up to 1 kilometer for devices equipped with a power amplifier. Additionally, WirelessUSB LP features direct sequence spread-spectrum (DSSS) technology, which provides the industry's most robust immunity for interference from other technologies like 802.11b/g, Bluetooth, cordless phones and microwave ovens. The modules feature a data transmission rate of up to 1Mbps with an average latency of below 2 milliseconds. The modules are certified with modular grants by the Federal Communications Commission (FCC), the European Telecommunications Standards Institute (ETSI), and industry Canada, translating into modular approval and eliminating the need to test for RF compliance.

Description	Data Rates DSSS (kbps)	GFSK (Mbps)	Range	Operating Current (mA)	Operating Voltage (V)	Dimensions (mm)	Digi-Key Part No.	Price Each			Artaflex Part No.
								1	10	100	
Integrated Print Antenna	250	1	50 Meters	21	2.4 - 3.6	38.1 x 25.4	748-1000-ND	14.58	11.21	8.97	AWP24S
Integrated Power Amplifier	250	1	up to 1 Kilometer	<100	2.4 - 3.6	25.4 x 20.3	748-1003-ND	35.90	28.05	22.44	AWA24S
Integrated Chip Antenna Radio with Open 12 Pin Header in Commercial Temperature	250	1	up to 20 Meters Indoor or 40 Meters LOS	21	2.4 - 3.6	16.0 x 13.5	748-1004-ND NEW!	15.70	12.34	10.09	AW24MCHL-H2
Integrated Chip Antenna Radio in SMT Package, Commercial Temperature	250	1		21	2.4 - 3.6	19.0 x 13.5	748-1005-ND NEW!	15.70	12.63	10.38	AW24MCHL-SM
CyFi Radio Module with U.FL External Antenna Connector and Open 12 Pin Header in Commercial Temperature	250	1		21	2.4 - 3.6	15.0 x 13.5	748-1006-ND NEW!	19.63	16.26	12.90	AW24MUFL-H2
WirelessUSB Dongle											
Full Speed USB (12Mbps)	250	1	30 Meters	40	5	59 x 20	748-1002-ND	35.90	28.05	22.44	AWP24U

Digi-Reel® Most SMT cutdown parts are available on a Digi-Reel®. For Digi-Reel part number, change 1-ND to 6-ND or CT-ND to DKR-ND. See Digi-Key® Services on page 2 for additional information.

Free shipping on orders over \$200 CAD! All prices in Canadian dollars and include duty and brokerage fees.

572 (CA2011) 1-800-344-4539 • www.digikey.ca • 218-681-6674 • Fax: 218-681-3380