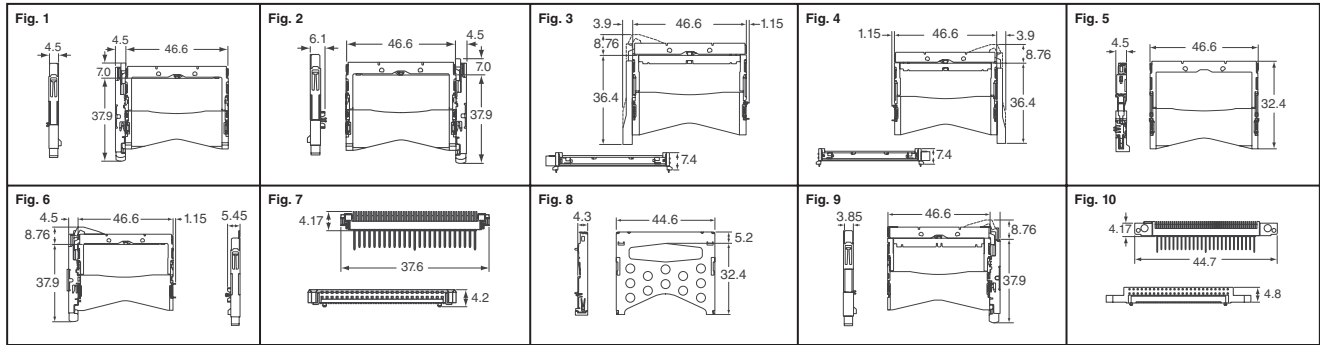




NEW! Compact Flash



Features: • Slot mechanism compliant with CFA (Compact Flash Association) Type I/II Card **Specifications:** • Number of Contacts: 50 • Current Rating: 0.5A per pin • Dielectric Withstanding Voltage: 500VACr.m.s. (for one minute) • Insulation Resistance: 1000MΩ min. • Contact Resistance: 40mΩ max. • Operating Temperature: -20°C ~ 60°C • Lifetime: 10,000 Cycles **Materials and Finishes:** • Lever: Stainless Steel • Plate: Stainless Steel • Frame: Glass filled PBT



A

| Fig. | Descriptions | Digi-Key Part No. | Price Each | | | JAE Part No. |
|--------------------------|--|-------------------|------------|------|------|---------------|
| | | | 1 | 25 | 100 | |
| JC26C2 Series | | | | | | |
| Fixed Type Frames | | | | | | |
| 1 | Standard, Left Bendable Button, 1.6mm Stand-Off | 670-1951-ND | 8.56 | 5.82 | 5.14 | JC26C2-FSL16E |
| | Standard, Left Bendable Button | 670-1763-ND | 8.64 | 5.88 | 5.19 | JC26C2-FSLE |
| 2 | Reverse, Right Bendable Button, 1.6mm Stand-Off | 670-1950-ND | 8.98 | 6.11 | 5.39 | JC26C2-FRR16E |
| | Standard, Right Bendable Button, 1.6mm Stand-Off | 670-2144-ND | 8.56 | 5.82 | 5.14 | JC26C2-FSR16E |
| 3 | Standard, Right Bendable Button | 670-1764-ND | 9.43 | 6.41 | 5.66 | JC26C2-FSRE |
| | Standard, Left Fixed Button, 1.6mm Stand-Off | 670-1762-ND | 5.59 | 3.26 | 2.99 | JC26C2-FSH16E |
| 4 | Reverse, Right Fixed Button, 1.6mm Stand-Off | 670-1949-ND | 7.91 | 5.38 | 4.75 | JC26C2-FRM16E |
| | Standard, Right Fixed Button, 1.6mm Stand-Off | 670-2143-ND | 8.62 | 5.86 | 5.17 | JC26C2-FSM16E |
| 5 | Standard, Right Fixed Button | 670-1952-ND | 9.43 | 6.41 | 5.66 | JC26C2-FSME |
| | Standard, No Button | 670-2236-ND | 9.70 | 5.98 | 5.18 | JC26C2-FSNE |
| Push Type Frame | | | | | | |
| 1 | Reverse, Left Bendable Button, 1.6mm Stand-Off | 670-2142-ND | 14.00 | 9.52 | 8.40 | JC26C2-DRL16E |
| | Standard, Left Bendable Button | 670-1760-ND | 4.58 | 2.68 | 2.45 | JC26C2-DSLE |

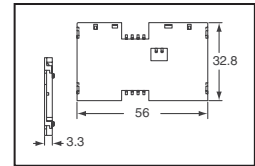
| Fig. | Descriptions | Digi-Key Part No. | Price Each | | | JAE Part No. |
|-------------------------|---|-------------------|------------|------|------|---------------|
| | | | 1 | 25 | 100 | |
| 2 | Standard, Right Bendable Button, 1.6mm Stand-Off | 670-1948-ND | 12.60 | 8.96 | 8.12 | JC26C2-DSR16E |
| 6 | Standard, Right Bendable Button | 670-1761-ND | 4.58 | 2.68 | 2.45 | JC26C2-DSRE |
| | Reverse, Right Bendable Button, 1.6mm Stand-Off | 670-2411-ND | 14.00 | 8.96 | 8.40 | JC26C2-DRR16E |
| Base Connectors | | | | | | |
| 7 | Base Connector for JC26C2 Frames with 1.6mm Stand-Off | 670-1947-ND | 5.39 | 3.15 | 2.88 | JC26A-BB16E |
| | Base Connector for JC26C2 Frames | 670-1759-ND | 5.39 | 3.15 | 2.88 | JC26A-BBE |
| JC26E/F Series | | | | | | |
| Fixed Type Frame | | | | | | |
| 8 | Reverse, No Button | 670-2145-ND | 10.64 | 7.24 | 6.38 | JC26F-FRN |
| Push Type Frame | | | | | | |
| 9 | Reverse, Left Side Button | 670-1954-ND | 12.98 | 9.23 | 8.37 | JC26E-DRLE |
| | Standard, Right Side Button | 670-1956-ND | 9.59 | 6.53 | 5.76 | JC26E-DSRE |
| Base Connector | | | | | | |
| 10 | Base Connector for JC26F Frames | 670-1953-ND | 4.04 | 2.36 | 2.16 | JC26E-BB13E |

NEW! SF3 Series Smart Card Connector



SF3 Series socket connectors are designed for ISO 7816 specified IC cards. They are ideal for use in various terminal devices such as network computers, set-top boxes, PCs, keyboards and portable telecommunications terminals.

Specifications: • Number of Contacts: 8 signal contacts, plus 2 switch contacts • Contact Spacing: 2.54mm (.100") • Current Rating: 1µA per contact • Dielectric Withstanding Voltage: 250VACr.m.s. (for one minute) • Insulation Resistance: 1,000MΩ min. • Contact Resistance: 100mΩ max. • Operating Temperature: -40°C ~ 90°C • Life Cycles: 100,000 **Materials and Finishes:** • Insulator: Glass-filled PPS (UL94V-0, Black) • Signal Contact: Copper Alloy, Connecting area: Gold over Palladium Nickel; SMT area: Tin-Lead • Switch Contact: Copper Alloy, Connecting area: Gold over Palladium Nickel; SMT area: Tin over Nickel Plating



| Description | Digi-Key Part No. | Price Each | | | JAE Part No. |
|---------------------------------------|-------------------|------------|------|------|--------------|
| | | 1 | 25 | 100 | |
| Smart Card Connector with Guide Frame | 670-2055-ND | 6.73 | 4.58 | 4.04 | SF3W010S9AE |

NEW! MM60 Series Express Card

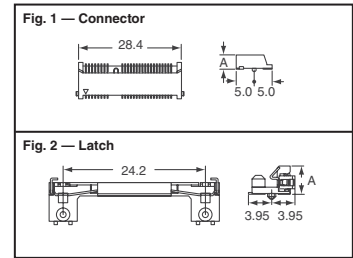


MM60 Series is compatible with the PCI Express Mini Card Electromechanical specifications and can be used for connecting with modules with PCI Express and USB transmission

Specifications: • Number of Contacts: 52 position • Contact Resistance: 55mΩ max. (initial) • Dielectric Withstanding Voltage: 300VACr.m.s. (per minute) • Operating Temperature: -40°C ~ 80°C • Rated Current: 0.5A per pin • Lifetime: 50 times

Materials and Finishes: • Contact: Copper Alloy, Contact area: Gold Plating over Nickel; Terminal area: Gold Flash over Nickel • Insulator: Heat resistant material (UL94V-0) • Hold Down: Copper Alloy, Tin plating

| Fig. | Dimension A (mm) | Digi-Key Part No. | Cut Tape Price Each | | | Digi-Key Part No. | Tape and Reel | | JAE Part No. |
|------------------|------------------|-------------------|---------------------|------|------|-------------------|---------------|---------|---------------------|
| | | | 1 | 25 | 100 | | Qty. | Pricing | |
| Connector | | | | | | | | | |
| 1 | 3.9 | 670-2274-1-ND | 2.98 | 1.81 | 1.54 | 670-2274-2-ND | 850 | 1112.87 | MM60-52B1-B1-R850 |
| | 5.9 | 670-2275-1-ND | 2.69 | 1.64 | 1.39 | 670-2275-2-ND | 650 | 769.96 | MM60-52B1-E1-R650 |
| Latch | | | | | | | | | |
| 2 | 4.8 | 670-2276-1-ND | 1.64 | 1.03 | .82 | 670-2276-2-ND | 850 | 531.21 | MM60-EZH039-B5-R850 |
| | 6.8 | 670-2277-1-ND | 1.72 | 1.08 | .86 | 670-2277-2-ND | 650 | 433.18 | MM60-EZH059-B5-R650 |



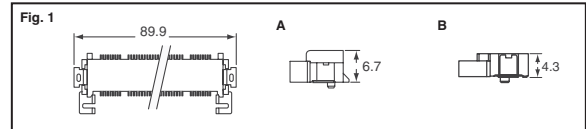
NEW! MM70 Series Express Card



Features: • Compatible with MXM3.0 standard • Contact Size (Available in two types): 6.7mm height, 12.20mm depth and 89.9mm width (3.0mm board height); 4.3mm height, 12.75mm depth and 89.9 mm width (1.5mm board height) • Precision positioning stopper for MXM3.0 module prevents contact failure

Specifications: • Number of Contacts: 314 position • Contact Resistance: 55mΩ max. (initial), 80mΩ max. (after test) • Dielectric Withstanding Voltage: 250VACr.m.s. (per minute) • Rated Current: 0.5A per pin • Insulation Resistance: 50MΩ min. (after test) • Durability: 30 times • Operating Temperature: -40°C ~ 80°C

Materials and Finishes: • Insulator: Heat Resistant Plastic • Contact: Copper Alloy, Contact Area: 0.1µm min. Gold plating over Nickel • Hold Down: Copper Alloy, Tin plating over Nickel • Stopper: Copper Alloy, Tin plating over Nickel



| Fig. | Description | Digi-Key Part No. | Cut Tape Price Each | | | Digi-Key Part No. | Tape and Reel | | JAE Part No. |
|------|-------------------------|-------------------|---------------------|------|------|-------------------|---------------|---------|-----------------------|
| | | | 1 | 25 | 100 | | Qty. | Pricing | |
| 1A | 3mm Board Height Type | 670-2431-1-ND | 9.13 | 6.22 | 5.49 | 670-2431-2-ND | 300 | 1535.14 | MM70-314-310B1-1-R300 |
| 1B | 1.5mm Board Height Type | 670-2432-1-ND | 8.98 | 6.11 | 5.39 | 670-2432-2-ND | 500 | 2513.41 | MM70-314-310B2-2-R500 |

Digi-Reel® Most SMT cutdown parts are available on a Digi-Reel®. For Digi-Reel part number, change 1-ND to 6-ND or CT-ND to DKR-ND. See Digi-Key® Services on page 2 for additional information.

Free shipping on orders over \$200 CAD! All prices in Canadian dollars and include duty and brokerage fees.

1-800-344-4539 • www.digikey.ca • 218-681-6674 • Fax: 218-681-3380

(CA2011) 539