



9155 Size Reduced Battery Connector



Features: • 2.4mm insulator height • 3 amps/contact • Large SMT mounting area for positive mechanical attachment • 5K mating cycles • End-to-end stackable Applications: • Cellular phones • Handheld devices • Industrial modules • Medical electronics Dim. in mm

A

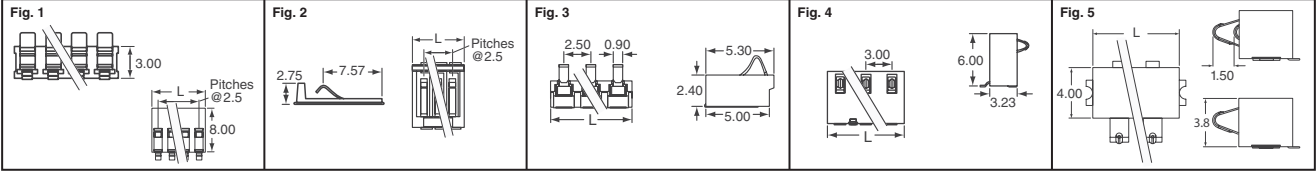


Fig.	No. of Positions	Dimension L (mm)	Digi-Key Part No.	Cut Tape Price Each			Digi-Key Part No.	Tape and Reel		AVX Part No.
				1	10	100		Qty.	Pricing	
1	3	7.5	478-4671-1-ND	2.28	1.95	1.52	478-4671-2-ND	1,000	884.26	009155003001016
	3	7.5	478-4672-1-ND	2.32	1.99	1.55	—	—	—	009155003002016
	3	7.5	478-4673-1-ND	1.92	1.65	1.28	478-4673-2-ND	1,000	746.24	009155003003016
	4	10.0	478-4674-1-ND	2.48	2.12	1.65	478-4674-2-ND	1,000	962.81	009155004001016
	4	10.0	478-4675-1-ND	2.58	2.21	1.72	478-4675-2-ND	1,000	1002.09	009155004002016
	4	10.0	478-4676-1-ND	2.63	2.25	1.76	478-4676-2-ND	1,000	1021.17	009155004003016
	5	12.5	478-4677-1-ND	2.68	2.29	1.79	—	—	—	009155005001016
	5	12.5	478-4678-1-ND	3.33	2.86	2.23	—	—	—	009155005002016
	5	12.5	478-4679-1-ND	2.78	2.38	1.86	478-4679-2-ND	1,000	1080.64	009155005003016
	2	2	6.6	478-4680-1-ND	2.98	2.55	1.99	478-4680-2-ND	1,500	1159.20M
2	3	8.1	478-4681-1-ND	3.09	2.64	2.06	—	—	—	009155003101006
3	2	5.0	478-4682-1-ND	1.72	1.47	1.15	478-4682-2-ND	2,000	667.69M	009155002201006
	3	7.5	478-4683-1-ND	1.87	1.60	1.25	478-4683-2-ND	2,000	727.16M	009155003201006
	4	10.0	478-4684-1-ND	1.92	1.65	1.28	478-4684-2-ND	2,000	746.24M	009155004201006
4	5	12.5	478-4685-1-ND	2.78	2.38	1.86	478-4685-2-ND	2,000	1080.64M	009155005201006
	2	5.9	478-4686-1-ND	1.72	1.47	1.15	—	—	—	009155002301006
	3	8.9	478-4687-1-ND	1.87	1.60	1.25	478-4687-2-ND	800	581.73	009155003301006
5	4	11.9	478-4688-1-ND	2.02	1.73	1.35	478-4688-2-ND	800	628.41	009155004301006
	5	14.9	478-4689-1-ND	2.68	2.29	1.79	478-4689-2-ND	800	833.09	009155005301006
	2	6.5	478-5450-1-ND	1.62	1.39	1.08	478-5450-2-ND	1,000	628.41	009155002541006
5	3	9.0	478-5451-1-ND	1.72	1.47	1.15	478-5451-2-ND	1,000	667.69	009155003541006
	4	11.5	478-5452-1-ND	1.92	1.65	1.28	478-5452-2-ND	1,000	746.24	009155004541006
	5	14.0	478-5453-1-ND	2.52	2.16	1.69	478-5453-2-ND	1,000	981.89	009155005541006



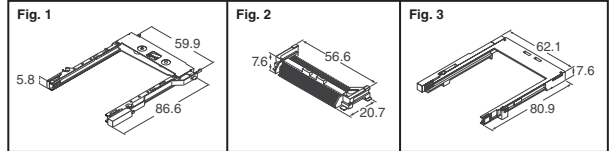
Memory Cards — PCMCIA PC



Features: • Single stacked header in SMT or Through Hole Specifications: • Number of Contacts: 68 • Pitch: 1.27mm (0.05") • Current Rating: 0.5A Maximum • Voltage Rating: 5V Maximum • Mating Cycles: 10,000

Fig.	Type	Keying	Button Side	Digi-Key Part No.	Price Each			Tape and Reel†		AVX Part No.
					1	25	100	Qty.	Pricing	
1	II	Reverse	Left	478-2009-ND	6.62	5.15	4.12	—	—	305025000321000
2	I, II, III	Normal	Right	478-4652-ND	7.00	5.43	4.35	—	—	315027068130871+
2	I, II, III	Normal	Right	478-4646-1-ND	9.93	7.71	6.17	250	1240.83	145027068130871+
3	I, II, III	Normal	Left	478-4648-ND	5.82	4.52	3.62	—	—	305027000101000+

† For Tape and Reel part number, change 1-ND to 2-ND.



Secure Digital/SIM Connectors



5638 SERIES: Features: • SD (Secure Digital) Memory Card technology is emerging as the next industry standard for removable flash memory and input/output devices • Low profile • Normal and reverse keying • Card detection feature • Accepts both SD and Multimedia Cards • Mating cycles: 10,000 Specifications: • Current Rating: 0.5A • Voltage Rating: 5V • Insulation Resistance: 1000MΩ min. • Contact Resistance: 40MΩ maximum • DW Voltage: AC 500V • Operating Temperature: -25°C - 90°C Applications: • MP3 Players • PDAs • Cellular Phones • Digital Cameras • Digital Camcorders

5738 SERIES: Features: • Based on standard defined by I/O working of the SD Assoc., which is an SD memory card endorsement group • Low profile • Introduction of spring eject type for easy operation • Equipped with supporting metal fittings for firm mounting and enough strength as I/O by devising the insulator and the shell structure and enlarging fix metal fittings Specifications: • Pitch: 2.50mm • Contact Finish: Gold • Contact Finish Thickness: 0.50µm • Current: 0.50A • Voltage: 5.0V • Withstanding Voltage: 500Vrms • Flammability Rating: UL94V-0

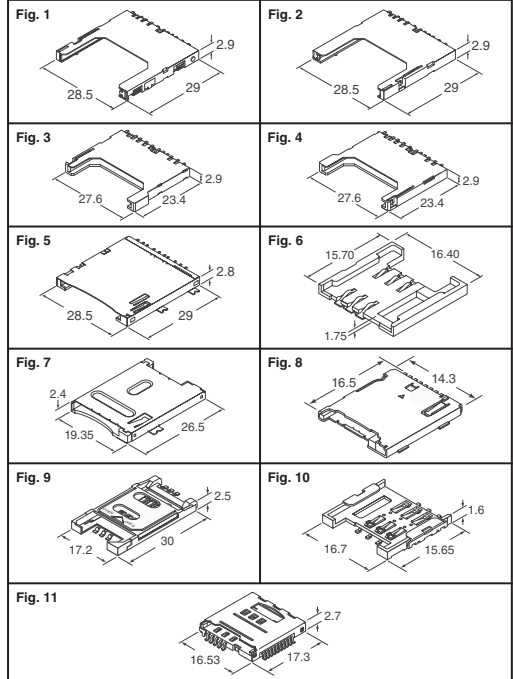
9162 SERIES: Features: • Standard SIM (Subscriber Identity Module) connector is specifically designed for hand held devices • Stand-off designs allow other components to be mounted underneath the connector offering greater effective use of PCB real estate • Insulator is molded from high temperature plastic enabling the connector to be used in convection or infrared solder processes Specifications: • Pitch: 2.54mm • Contact Material: copper alloy • Contact Finish: gold Applications: • For use with both full ISO cards and micro SIM cards

5036 SERIES: Features: • SIM connector with mounting boss • Optional card retention lock • Low profile metal body • Integral SMT strain relief tabs • Card detect switch • Push/Push card ejector Specifications: • Contact Material: Phosphor Bronze • Contact Finish: Gold • Flammability Rating: UL94V-0 Applications: • GSM or WCDMA cell phones • Navigation systems • Portable data devices

5138 SERIES: Features: • Guaranteed 10,000 mating cycles • Integral card detection switch to detect presence of card • Locking mechanism locks the card securely preventing it from falling out • Outer lead frame that is easily reworked when mounted • Withstanding voltage of AC 500Vrms/min Applications: • Cell phones • PDA devices • Media players

Fig.	Keying	PCB Mounting	Ejector Style	Digi-Key Part No.	Cut Tape Price Each			Tape and Reel†		AVX Part No.	
					1	25	100	Qty.	Pricing		
1	Normal	Top	Push/Push	478-4057-1-ND	5.38	4.17	3.34	250	671.20	145638009511859+	
2	Reverse	Bottom	Push/Push	478-4058-1-ND	5.38	4.17	3.34	250	671.33	145638109511859+	
3	Normal	Top	Without	478-4059-1-ND	3.58	2.78	2.23	350	626.45	145638009211859+	
4	Reverse	Bottom	Without	478-4060-1-ND	4.23	3.29	2.63	350	740.35	145638109211859+	
5	Connector Memory Card Normal I/O				478-2020-1-ND	4.23	3.29	2.63	250	528.82	145738009783862
5	Connector Memory Card Normal I/O				478-4061-1-ND	6.68	5.18	4.15	250	834.05	145738009784859+
5	Connector Memory Card Reverse I/O				478-4647-1-ND	6.44	5.00	4.00	250	805.43	145738009220859+
6	Connector SIM Card Slide-in SMD				478-4366-1-ND	1.53	1.19	0.95	1,100	791.13M	009162006206175
7	Connector SIM Card 13.52mm with Boss				478-4062-1-ND	5.86	4.55	3.64	500	1464.42	045036006200862+
7	Connector SIM Card 6 Pos. without Boss				478-4645-1-ND	5.79	4.50	3.60	300	781.02	055036006202862+
7	Connector SIM Card 6 Pos. with Boss				478-5061-1-ND	4.49	3.49	2.79	500	1122.72	045036006219862+
7	Connector SIM Card 6 Pos. without Boss				478-5060-1-ND	4.49	3.49	2.79	500	1122.72	045036006211862+
7	Connector SIM Card 6 Pos. with Lock				478-5062-1-ND	6.03	4.68	3.74	300	903.23	055036006223862+
8	Connector MicroSD Card 1.6mm High				478-4965-1-ND	4.33	3.36	2.69	1,000	2164.65	045138008010890+
8	Connector MicroSD Card 2.9mm with Boss				478-5063-1-ND	5.27	4.10	3.28	250	658.99	145738009302859+
9	Connector SIM Card 6 Pos. w/Locking Latch				478-5344-1-ND	2.08	1.78	1.39	600	483.43	009162006301150
10	Connector SIM Card 6 Pos., Slide-in SMD				478-5345-1-ND	2.12	1.82	1.42	1,000	824.79	009162006401070
11	Connector SIM/SD Card Combo, 6 Pos.				478-5346-1-ND	5.71	4.89	3.81	700	1553.74	009162006501150

† For Tape and Reel part number, change 1-ND to 2-ND.



Digi-Reel® Most SMT cutdown parts are available on a Digi-Reel®. For Digi-Reel part number, change 1-ND to 6-ND or CT-ND to DKR-ND. See Digi-Key® Services on page 2 for additional information.

Free shipping on orders over \$200 CAD! All prices in Canadian dollars and include duty and brokerage fees.

528 (CA2011)

1-800-344-4539 • www.digikey.ca • 218-681-6674 • Fax: 218-681-3380