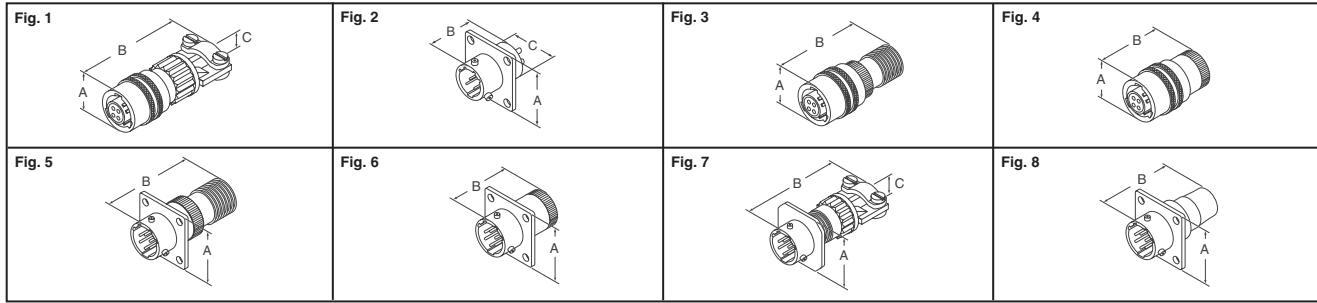
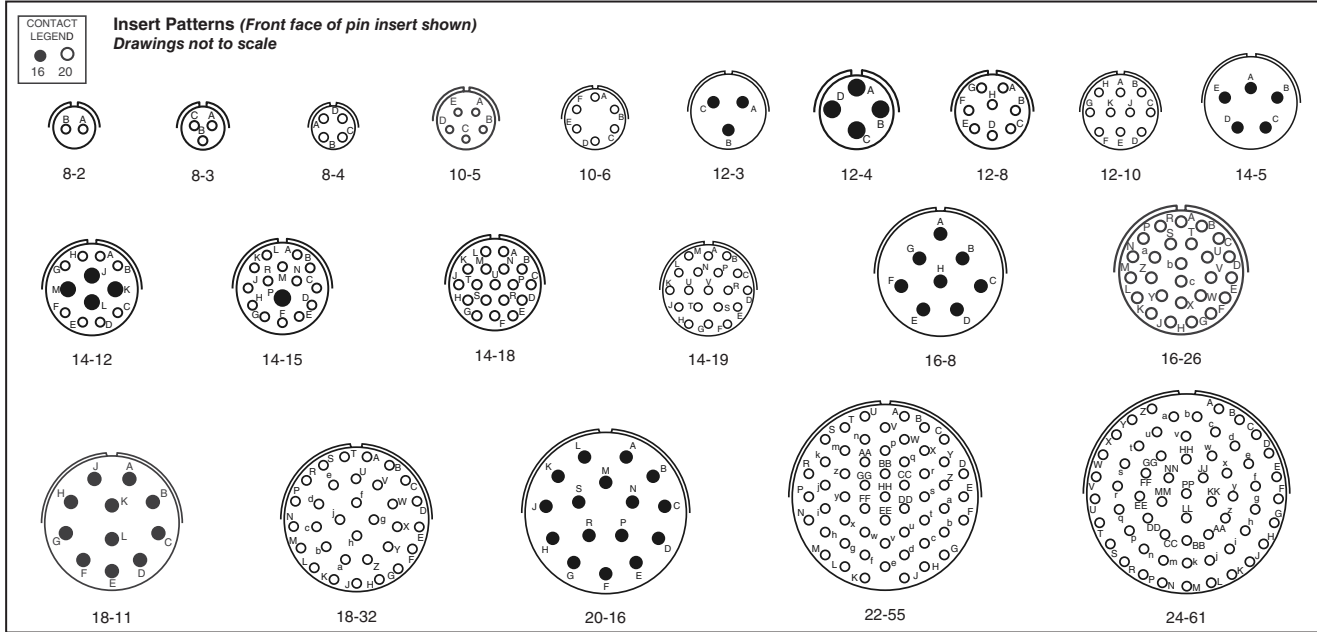


Amphenol® Industrial Circular Bayonet Lock Connectors



A



PT with Solder Contacts (MIL-C-26482 Series 1 Type)

Shell components: A variety of shell finishes (including non-cadmium) such as aluminum with standard olive drab with electrically conductive cadmium plating and zinc cobalt with black plating. Dependable 5 key/keyway polarization with bayonet lock coupling assures positive mating. Spring tension provided by a wave washer in the coupling nut ensures maintenance of interfacial seal between mating halves. Insert and main joint gasket molded from resilient neoprene. **Solder contacts** are installed. Pins and sockets are copper alloy/gold plated. PT solder series are UL recognized under file #E115497, Section 5

Fig.	Shell Size-Insert Arrangement No.	No. of Contacts/Size	Description	Dimensions (Inches) A B C	Digi-Key Part No.	Price Each 1 5
1	8-2	2/20	Plug w/sockets	.750 1.906 .125	PT06A-8-2S(SR)-ND*	41.99 35.90
2	8-2	2/20	Recept. w/pins	.812 .825 .449	PT02A-8-2P-ND	18.30 15.65
1	8-3	3/20	Plug w/sockets	.750 1.906 .125	PT06A-8-3S(SR)-ND*	44.46 38.01
1	8-3	3/20	Plug w/sockets	.750 1.906 .125	PT06E-8-3S(SR)-ND*	47.31 40.45
2	8-3	3/20	Recept. w/pins	.812 .825 .449	PT02A-8-3P-ND	20.52 17.55
2	8-3	3/20	Recept. w/pins	.812 .825 .449	PT02E-8-3P-ND	16.00 13.68
3	8-4	4/20	Plug w/sockets	.750 1.609 —	PT06A-8-4S-ND	29.67 25.37
1	8-4	4/20	Plug w/pins	.750 1.906 .125	PT06E8-4P(SR)-ND*	27.96 23.91
1	8-4	4/20	Plug w/sockets	.750 1.906 .125	PT06E8-4S(SR)-ND*	46.17 39.47
1	8-4	4/20	Plug w/pins	.750 1.906 .125	PT06A-8-4P(SR)-ND*	39.34 33.64
1	8-4	4/20	Plug w/sockets	.750 1.906 .125	PT06A-8-4S(SR)-ND*	39.84 34.05
4	8-4	4/20	Plug w/sockets	.750 1.266 —	PT06E-8-4S-ND	32.11 27.45
2	8-4	4/20	Recept. w/pins	.812 .825 .449	PT02A8-4P-ND	16.07 13.74
2	8-4	4/20	Recept. w/sockets	.812 .825 .449	PT02A8-4S-ND	18.57 15.88
2	8-4	4/20	Recept. w/pins	.812 .825 .449	PT02E-8-4P-ND	18.72 16.00
2	8-4	4/20	Recept. w/sockets	.812 .825 .449	PT02E-8-4S-ND	15.14 12.94
2	10-5	5/20	Recept. w/sockets	.938 .825 .573	956-1014-ND NEW!	29.70 25.40
3	10-5	5/20	Plug w/pins	.750 1.906 —	956-1015-ND NEW!	57.05 48.77
1	10-6	6/20	Plug w/pins	.859 1.906 .188	PT06E10-6P(SR)-ND*	30.51 26.08

Fig.	Shell Size-Insert Arrangement No.	No. of Contacts/Size	Description	Dimensions (Inches) A B C	Digi-Key Part No.	Price Each 1 5
1	10-6	6/20	Plug w/sockets	.859 1.906 .188	PT06E10-6S(SR)-ND*	52.66 45.03
1	10-6	6/20	Plug w/pins	.859 1.906 .188	PT06A-10-6P(SR)-ND*	40.25 34.41
1	10-6	6/20	Plug w/sockets	.859 1.906 .188	PT06A-10-6S(SR)-ND*	48.95 41.84
2	10-6	6/20	Recept. w/pins	.938 .825 .573	PT02A10-6P-ND	18.82 16.09
2	10-6	6/20	Recept. w/sockets	.938 .825 .573	PT02A10-6S-ND	20.80 17.79
2	10-6	6/20	Recept. w/pins	.938 .825 .573	PT02E-10-6P-ND	21.75 18.59
2	10-6	6/20	Recept. w/sockets	.938 .825 .573	PT02E-10-6S-ND	24.63 21.06
5	10-6	6/20	Recept. w/pins	.938 1.553 —	PT00A-10-6P-ND	35.45 30.31
6	10-6	6/20	Recept. w/pins	.938 1.266 —	PT00E-10-6P-ND	40.22 34.38
7	10-6	6/20	Recept. w/pins	.938 1.922 .188	PT01A-10-6P(SR)-ND*	38.55 32.95
3	12-3	3/16	Plug w/sockets	1.013 1.609 —	PT06A-12-3S-ND	28.08 24.00
1	12-3	3/16	Plug w/pins	1.013 1.906 .312	PT06E12-3P(SR)-ND*	33.74 28.85
1	12-3	3/16	Plug w/sockets	1.013 1.906 .312	PT06E12-3S(SR)-ND*	35.76 30.57
1	12-3	3/16	Plug w/pins	1.013 1.906 .312	PT06A-12-3P(SR)-ND*	41.30 35.30
1	12-3	3/16	Plug w/sockets	1.013 1.906 .312	PT06A-12-3S(SR)-ND*	41.99 35.90
2	12-3	3/16	Recept. w/pins	1.031 .825 .699	PT02A12-3P-ND	14.64 12.52
2	12-3	3/16	Recept. w/sockets	1.031 .825 .699	PT02A12-3S-ND	27.31 23.35
2	12-3	3/16	Recept. w/pins	1.031 .825 .699	PT02E-12-3P-ND	16.45 14.07
1	12-4	4/16	Plug w/pins	1.013 1.906 .312	PT06A-12-4P(SR)-ND*	48.91 41.82
2	12-4	4/16	Recept. w/sockets	1.031 .825 .699	PT02E-12-4S-ND	31.17 26.65
3	12-8	8/20	Plug w/pins	1.013 1.609 —	PT06A-12-8P-ND	34.54 29.53
3	12-8	8/20	Plug w/sockets	1.013 1.609 —	PT06A-12-8S-ND	36.46 31.17
1	12-8	8/20	Plug w/pins	1.013 1.906 .312	PT06E-12-8P(SR)-ND*	45.57 38.96
1	12-8	8/20	Plug w/sockets	1.013 1.906 .312	PT06E-12-8S(SR)-ND*	55.52 47.46

* (SR) at end of part number designates that a strain relief is included.

(Continued)

Free shipping on orders over \$200 CAD! All prices in Canadian dollars and include duty and brokerage fees.

1-800-344-4539 • www.digikey.ca • 218-681-6674 • Fax: 218-681-3380

(CA2011) 405