

**Features:**  
• Wire-to-wire and wire-to-board pin and receptacle connector system • Connectors are on 3mm (.118 inch) centerline spacing

**Characteristics:**  
• Voltage Rating: 250VAC • Current Rating: 5A maximum on 20AWG wire  
• Operating Temperature: -40°C – 105°C

**Approvals:**  
• Underwriters Laboratories Inc.  
• File No. E28476

**A**

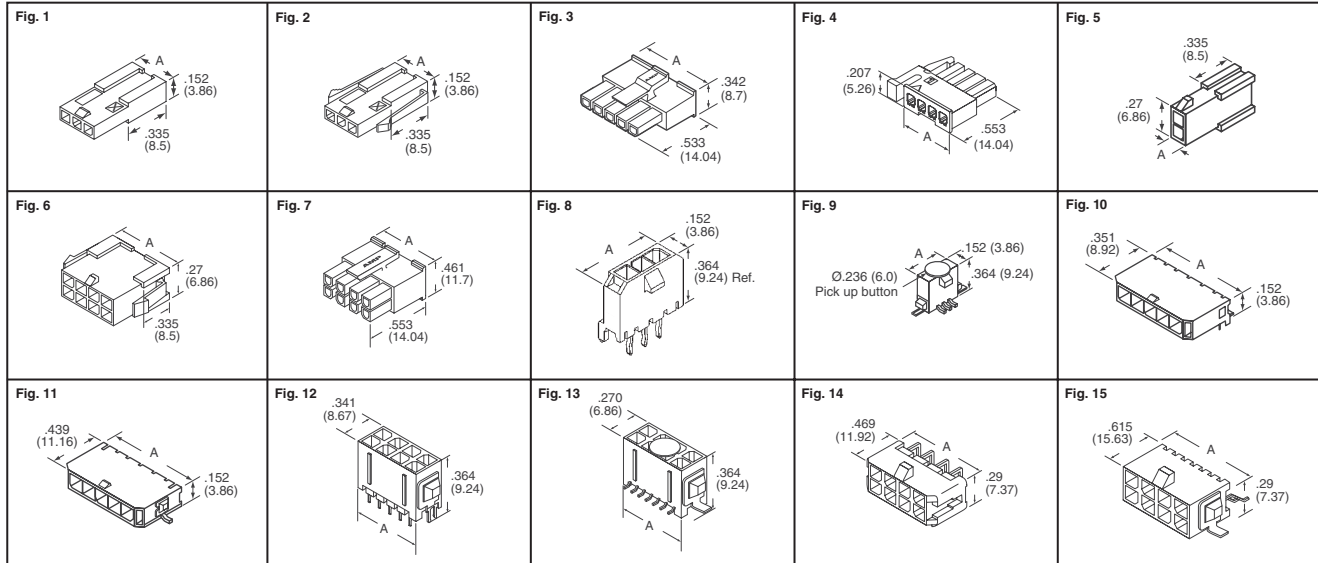


Fig.	No. of Circuits	Dim. A (mm)	Plating	Digi-Key Part No.	Price Each	Digi-Key Part No.	Tape & Reel Qty.	Pricing	AMP Part No.	
<b>Plug Housing — Single Row, Free Hanging — RoHS Compliant</b>										
1	2	6.85	—	A30236-ND	.27	.18	.14	—	1445049-2	
	3	9.85	—	A30237-ND	.30	.20	.16	—	1445049-3	
	4	12.85	—	A30238-ND	.35	.23	.18	—	1445049-4	
	5	15.85	—	A30239-ND	.39	.26	.20	—	1445049-5	
	6	18.85	—	A30240-ND	.44	.28	.22	—	1445049-6	
	7	21.85	—	A30241-ND	.47	.31	.24	—	1445049-7	
	8	24.85	—	A30242-ND	.52	.34	.26	—	1445049-8	
	9	27.85	—	A30243-ND	.56	.36	.29	—	1445049-9	
	10	30.85	—	A30244-ND	.61	.39	.31	—	1-1445049-0	
	11	33.85	—	A30245-ND	.64	.42	.33	—	1-1445049-1	
	12	36.85	—	A30246-ND	.68	.44	.35	—	1-1445049-2	
	<b>Plug Housing — Single Row, Panel Mount — RoHS Compliant</b>									
2	2	6.85	—	A30247-ND	.27	.18	.14	—	1445048-2	
	3	9.85	—	A30248-ND	.30	.20	.16	—	1445048-3	
	4	12.85	—	A30249-ND	.35	.23	.18	—	1445048-4	
	5	15.85	—	A30250-ND	.39	.26	.20	—	1445048-5	
	6	18.85	—	A30251-ND	.44	.28	.22	—	1445048-6	
	7	21.85	—	A30252-ND	.47	.31	.24	—	1445048-7	
	8	24.85	—	A30253-ND	.52	.34	.26	—	1445048-8	
	10	30.85	—	A30255-ND	.61	.39	.31	—	1-1445048-0	
	12	36.85	—	A30257-ND	.68	.44	.35	—	1-1445048-2	
	<b>Receptacle Housing — Single Row — RoHS Compliant</b>									
	3	2	7.00	—	A30258-ND	.28	.18	.14	—	1445022-2
		3	10.00	—	A30259-ND	.33	.21	.17	—	1445022-3
4		13.00	—	A30260-ND	.36	.24	.19	—	1445022-4	
5		16.00	—	A30261-ND	.40	.27	.21	—	1445022-5	
6		19.00	—	A30262-ND	.45	.29	.23	—	1445022-6	
7		22.00	—	A30263-ND	.49	.32	.25	—	1445022-7	
8		25.00	—	A30264-ND	.54	.35	.28	—	1445022-8	
9		28.00	—	A30265-ND	.58	.38	.30	—	1445022-9	
10		31.00	—	A30266-ND	.63	.41	.32	—	1-1445022-0	
11		34.00	—	A30267-ND	.67	.43	.34	—	1-1445022-1	
12		37.00	—	A30268-ND	.72	.46	.36	—	1-1445022-2	
<b>Receptacle Housing — Single Row, Low Profile — RoHS Compliant</b>										
4	2	7.00	—	A99175-ND‡	.40	.29	.18	—	2029047-2	
	3	10.00	—	A99176-ND‡	.46	.34	.21	—	2029047-3	
	4	13.00	—	A99177-ND‡	.53	.38	.24	—	2029047-4	
	2	7.00	—	A99178-ND◊	.42	.31	.19	—	2029102-2	
	3	10.00	—	A99179-ND◊	.48	.35	.22	—	2029102-3	
	4	13.00	—	A99180-ND◊	.55	.40	.25	—	2029102-4	

Fig.	No. of Circuits	Dim. A (mm)	Plating	Digi-Key Part No.	Price Each	Digi-Key Part No.	Tape & Reel Qty.	Pricing	AMP Part No.
<b>Plug Housing — Dual Row, Free Hanging — RoHS Compliant</b>									
5	2	3.85	—	A30269-ND	.29	.19	.15	—	794616-2
	4	6.85	—	A30270-ND	.50	.33	.26	—	794616-4
	6	9.85	—	A30271-ND	.54	.35	.28	—	794616-6
	8	12.85	—	A30272-ND	.65	.42	.33	—	794616-8
	10	15.85	—	A30273-ND	.75	.49	.38	—	1-794616-0
	12	18.85	—	A30274-ND	.85	.55	.44	—	1-794616-2
	14	21.85	—	A30275-ND	.97	.62	.49	—	1-794616-4
	16	24.85	—	A30276-ND	1.07	.69	.54	—	1-794616-6
	18	27.85	—	A30277-ND	1.17	.76	.59	—	1-794616-8
	20	30.85	—	A30278-ND	1.28	.82	.65	—	2-794616-0
	22	33.85	—	A30279-ND	1.38	.89	.70	—	2-794616-2
	24	36.85	—	A30280-ND	1.48	.96	.75	—	2-794616-4
<b>Plug Housing — Dual Row, Panel Mount — RoHS Compliant</b>									
6	2	3.85	—	A30281-ND	.29	.19	.15	—	794615-2
	4	6.85	—	A30282-ND	.50	.33	.26	—	794615-4
	6	9.85	—	A30283-ND	.54	.35	.28	—	794615-6
	8	12.85	—	A30284-ND	.65	.42	.33	—	794615-8
	10	15.85	—	A30285-ND	.75	.49	.38	—	1-794615-0
	12	18.85	—	A30286-ND	.85	.55	.44	—	1-794615-2
	14	21.85	—	A30287-ND	.97	.62	.49	—	1-794615-4
	16	24.85	—	A30288-ND	1.07	.69	.54	—	1-794615-6
	18	27.85	—	A30289-ND	1.17	.76	.59	—	1-794615-8
	20	30.85	—	A30290-ND	1.28	.82	.65	—	2-794615-0
	22	33.85	—	A30291-ND	1.38	.89	.70	—	2-794615-2
	24	36.85	—	A30292-ND	1.48	.96	.75	—	2-794615-4
<b>Receptacle Housing — Dual Row — RoHS Compliant</b>									
7	2	4.00	—	A30293-ND	.36	.24	.19	—	794617-2
	4	7.00	—	A30294-ND	.39	.26	.20	—	794617-4
	6	10.00	—	A30295-ND	.44	.29	.22	—	794617-6
	8	13.00	—	A30296-ND	.48	.31	.25	—	794617-8
	10	16.00	—	A30297-ND	.53	.34	.27	—	1-794617-0
	12	19.00	—	A30298-ND	.58	.38	.30	—	1-794617-2
	14	22.00	—	A30299-ND	.64	.42	.33	—	1-794617-4
	16	25.00	—	A30300-ND	.71	.46	.36	—	1-794617-6
	18	28.00	—	A30301-ND	.77	.50	.39	—	1-794617-8
	20	31.00	—	A30302-ND	.85	.55	.43	—	2-794617-0
	22	34.00	—	A30303-ND	.94	.61	.48	—	2-794617-2
	24	37.00	—	A30304-ND	1.03	.67	.52	—	2-794617-4

† Cut Tape ‡ Black ◊ Natural

(Continued)

Digi-Reel® Most SMT cutdown parts are available on a Digi-Reel®. For Digi-Reel part number, change 1-ND to 6-ND or CT-ND to DKR-ND. See Digi-Key® Services on page 2 for additional information.

**Free shipping on orders over \$200 CAD! All prices in Canadian dollars and include duty and brokerage fees.**

240 (CA2011)

1-800-344-4539 • www.digikey.ca • 218-681-6674 • Fax: 218-681-3380