

# molex® Micro-Fit 3.0™ Connectors



**Features:** • Fully isolated contacts • Fully polarized to mating receptacle • Integral pull tabs for ease in unmating  
**Electrical:** Series 43645, 43650, 43025 and 43045 are 600V; Series 43020 is 350V  
**Current:** 5.0A maximum  
**Contact Resistance:** 10mΩ maximum  
**Dielectric Withstanding Voltage:** Series 43645, 43650, 43025 and 43045 are 2200VAC; Series 43020 is 1700VAC  
**Insulation Resistance:** 1,000MΩ minimum

**Physical Housing:** UL94V-0 Brass **Plating:** Tin or Gold  
**BMI Features and Benefits:** Connectors float in panel cutout up to 1.27mm (.050") in any direction. Use standard Micro-Fit terminals. Innovative panel mounting design holds connectors firmly in place. Fully isolated contacts prevent terminal damage. Fully polarized to completely prevent mismatching.

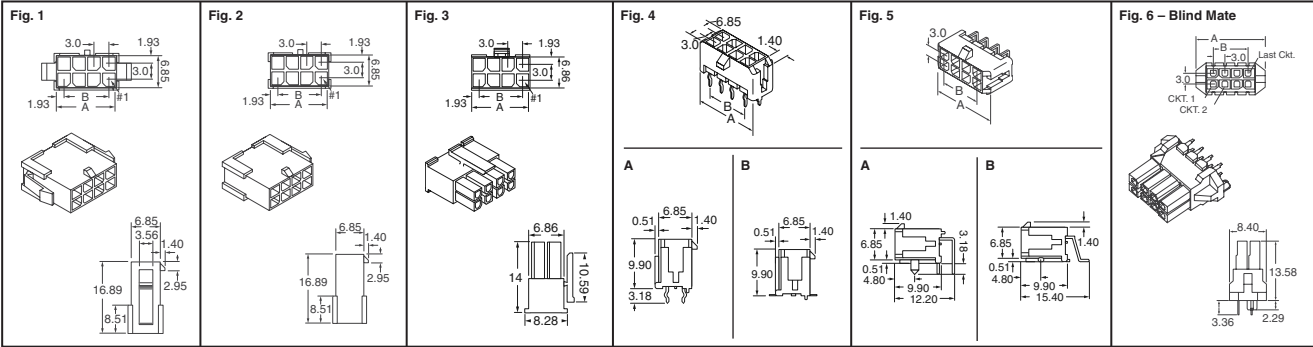


Fig.	Circuits	Dimensions - mm		Plating	Digi-Key Part No.	Price Each			Molex Part No.
		A	B			1	10	100	
<b>Plug Housing — Panel Mount (uses male terminal) — RoHS Compliant</b>									
1	2	3.85	—	—	WM1777-ND	.54	.48	.32	43020-0200
	4	6.85	3.00	—	WM1778-ND	.63	.56	.38	43020-0400
	6	9.85	6.00	—	WM1779-ND	.75	.67	.45	43020-0600
	8	12.85	9.00	—	WM1780-ND	.86	.76	.51	43020-0800
	10	15.85	12.00	—	WM1781-ND	1.00	.89	.60	43020-1000
	12	18.85	15.00	—	WM1782-ND	1.18	1.05	.70	43020-1200
	14	21.85	18.00	—	WM2483-ND	1.39	1.23	.82	43020-1400
	16	24.85	21.00	—	WM2484-ND	1.60	1.43	.95	43020-1600
	18	27.85	24.00	—	WM2485-ND	1.81	1.60	1.07	43020-1800
	20	30.85	27.00	—	WM2486-ND	2.01	1.78	1.19	43020-2000
22	33.85	30.00	—	WM2487-ND	2.20	1.95	1.30	43020-2200	
24	36.85	33.00	—	WM2488-ND	2.41	2.13	1.42	43020-2400	
<b>Plug Housing — Free Hanging (uses male terminal) — RoHS Compliant</b>									
2	2	3.86	—	—	WM2761-ND	.67	.43	.25	43020-0201
	4	6.85	3.00	—	WM2772-ND	.56	.50	.34	43020-0401
	6	9.85	6.00	—	WM2762-ND	.86	.54	.31	43020-0601
	8	12.85	9.00	—	WM2763-ND	.77	.68	.46	43020-0801
	10	15.85	12.00	—	WM2764-ND	.90	.80	.53	43020-1001
	12	18.85	15.00	—	WM2765-ND	1.05	.94	.63	43020-1201
	14	21.85	18.00	—	WM2766-ND	1.25	1.10	.74	43020-1401
	16	24.85	21.00	—	WM2767-ND	1.44	1.27	.85	43020-1601
	18	27.85	24.00	—	WM2768-ND	1.62	1.43	.95	43020-1801
	20	30.85	27.00	—	WM2769-ND	1.80	1.59	1.06	43020-2001
22	33.85	30.00	—	WM2770-ND	1.96	1.74	1.16	43020-2201	
24	36.85	33.00	—	WM2771-ND	2.15	1.91	1.27	43020-2401	
<b>Receptacle Housing (uses female terminal) — RoHS Compliant</b>									
3	2	3.85	—	—	WM1783-ND	.67	.43	.25	43025-0200
	4	6.85	3.00	—	WM1784-ND	.91	.57	.33	43025-0400
	6	9.85	6.00	—	WM1785-ND	.93	.58	.34	43025-0600
	8	12.85	9.00	—	WM1786-ND	.89	.63	.42	43025-0800
	10	15.85	12.00	—	WM1787-ND	1.46	.91	.52	43025-1000
	12	18.85	15.00	—	WM1788-ND	1.18	1.05	.70	43025-1200
	14	21.85	18.00	—	WM2489-ND	1.26	.98	.75	43025-1400
	16	24.85	21.00	—	WM2490-ND	1.60	1.43	.95	43025-1600
	18	27.85	24.00	—	WM2491-ND	1.81	1.60	1.07	43025-1800
	20	30.85	27.00	—	WM2492-ND	2.01	1.78	1.19	43025-2000
22	33.85	30.00	—	WM2493-ND	2.20	1.95	1.30	43025-2200	
24	36.85	33.00	—	WM2494-ND	2.41	2.13	1.42	43025-2400	
<b>Vertical Header — Through-Hole with Offset Terminal Retention — RoHS Compliant</b>									
4A	2	6.65	—	Tin	WM1789-ND	1.21	.85	.57	43045-0212
	4	9.65	3.00	Tin	WM1790-ND	1.45	1.28	.85	43045-0412
	6	12.65	6.00	Tin	WM1791-ND	1.85	1.45	1.10	43045-0612
	8	15.65	9.00	Tin	WM1792-ND	2.22	1.97	1.31	43045-0812
	10	18.65	12.00	Tin	WM1793-ND	2.60	2.31	1.54	43045-1012
	12	21.65	15.00	Tin	WM1794-ND	2.98	2.64	1.76	43045-1212
	14	24.65	18.00	Tin	WM4711-ND	3.39	3.00	2.00	43045-1412
	16	27.65	21.00	Tin	WM4712-ND	3.77	3.33	2.22	43045-1612
	18	30.65	24.00	Tin	WM4713-ND	4.24	3.75	2.50	43045-1812
	20	33.65	27.00	Tin	WM4714-ND	4.71	4.17	2.78	43045-2012
	22	36.65	30.00	Tin	WM4715-ND	5.18	4.58	3.05	43045-2212
	24	39.65	33.00	Tin	WM4716-ND	5.66	5.00	3.33	43045-2412
	2	6.65	—	Gold, 30µ	WM1795-ND	1.65	1.46	.97	43045-0214
	4	9.65	3.00	Gold, 30µ	WM1796-ND	2.28	2.01	1.34	43045-0414
	6	12.65	6.00	Gold, 30µ	WM1797-ND	2.90	2.55	1.70	43045-0614
	8	15.65	9.00	Gold, 30µ	WM1798-ND	3.50	3.10	2.07	43045-0814
	10	18.65	12.00	Gold, 30µ	WM1799-ND	4.12	3.64	2.43	43045-1014
	12	21.65	15.00	Gold	WM1800-ND	4.72	4.17	2.78	43045-1214
	14	24.65	18.00	Gold	WM4717-ND	5.34	4.72	3.15	43045-1414
	16	27.65	21.00	Gold	WM4718-ND	5.94	5.24	3.50	43045-1614
18	30.65	24.00	Gold	WM4719-ND	6.68	5.90	3.94	43045-1814	
20	33.65	27.00	Gold	WM4720-ND	8.25	7.28	4.86	43045-2014	
22	36.65	30.00	Gold	WM4721-ND	8.17	7.21	4.81	43045-2214	
24	39.65	33.00	Gold	WM4722-ND	8.91	7.87	5.25	43045-2414	
<b>Vertical Header — SMT with Fitting Nails — RoHS Compliant</b>									
4B	2	6.65	—	Tin	WM1801-ND	3.33	2.94	1.96	43045-0218

Fig.	Circuits	Dimensions - mm		Plating	Digi-Key Part No.	Price Each			Molex Part No.
		A	B			1	10	100	
4B	4	9.65	3.00	Tin	WM1802-ND	3.86	3.41	2.27	43045-0418
	6	12.65	6.00	Tin	WM1803-ND	4.38	3.86	2.58	43045-0618
	8	15.65	9.00	Tin	WM1804-ND	5.02	4.43	2.96	43045-0818
	10	18.65	12.00	Tin	WM1805-ND	5.52	4.88	3.25	43045-1018
	12	21.65	15.00	Gold, 30µ	WM1806-ND	6.03	5.32	3.55	43045-1218
	2	6.65	—	Gold, 30µ	WM1807-ND	4.12	3.64	2.43	43045-0220
	4	9.65	3.00	Gold, 30µ	WM1808-ND	4.96	4.38	2.92	43045-0420
	6	12.65	6.00	Gold, 30µ	WM1809-ND	5.78	5.10	3.40	43045-0620
	8	15.65	9.00	Gold, 30µ	WM1810-ND	6.71	5.93	3.95	43045-0820-P
	10	18.65	12.00	Gold, 30µ	WM1811-ND	7.53	6.65	4.43	43045-1020
	12	21.65	15.00	Gold, 30µ	WM1812-ND	8.33	7.35	4.90	43045-1220
	<b>Vertical Header — SMT with Fitting Nails — RoHS Compliant</b>								
4B	2	6.65	—	Gold, 15µ	WM2660CT-ND†	3.28	2.90	1.93	43045-0219
	2	6.65	—	Gold, 15µ	WM2660TR-ND†	269.99/200			43045-0219
	4	9.65	3.00	Gold, 15µ	WM2661CT-ND†	3.87	3.42	2.28	43045-0419
	4	9.65	3.00	Gold, 15µ	WM2661TR-ND†	318.92/200			43045-0419
	6	12.65	6.00	Gold, 15µ	WM2662CT-ND†	4.45	3.93	2.62	43045-0619
	6	12.65	6.00	Gold, 15µ	WM2662TR-ND†	366.72/200			43045-0619
	8	15.65	9.00	Gold, 15µ	WM2663CT-ND†	5.14	4.54	3.03	43045-0819
	8	15.65	9.00	Gold, 15µ	WM2663TR-ND†	423.05/200			43045-0819
	10	18.65	12.00	Gold, 15µ	WM2664CT-ND†	5.72	5.05	3.37	43045-1019
	10	18.65	12.00	Gold, 15µ	WM2664TR-ND†	470.86/200			43045-1019
	12	21.65	15.00	Gold, 15µ	WM2665CT-ND†	6.27	5.54	3.70	43045-1219
	12	21.65	15.00	Gold, 15µ	WM2665TR-ND†	517.09/200			43045-1219
	14	24.65	18.00	Gold, 15µ	WM2666CT-ND†	6.87	6.06	4.04	43045-1419
	14	24.65	18.00	Gold, 15µ	WM2666TR-ND†	565.34/200			43045-1419
	16	27.65	21.00	Gold, 15µ	WM2667CT-ND†	5.00	4.58	3.49	43045-1619
	16	27.65	21.00	Gold, 15µ	WM2667TR-ND†	712.74/200			43045-1619
	18	30.65	24.00	Gold, 15µ	WM2668CT-ND†	8.27	7.30	4.87	43045-1819
	18	30.65	24.00	Gold, 15µ	WM2668TR-ND†	680.70/200			43045-1819
	20	33.65	27.00	Gold, 15µ	WM2669CT-ND†	8.97	7.92	5.28	43045-2019
	20	33.65	27.00	Gold, 15µ	WM2669TR-ND†	738.61/200			43045-2019
	22	36.65	30.00	Gold, 15µ	WM2670CT-ND†	9.66	8.53	5.69	43045-2219
	22	36.65	30.00	Gold, 15µ	WM2670TR-ND†	795.61/200			43045-2219
	24	39.65	33.00	Gold, 15µ	WM2671CT-ND†	10.37	9.15	6.10	43045-2419
	24	39.65	33.00	Gold, 15µ	WM2671TR-ND†	853.96/200			43045-2419
<b>Vertical Header — Through-Hole — RoHS Compliant</b>									
4A	2	6.65	—	Gold, 15µ	WM2648-ND	1.30	1.16	.77	43045-0213
	4	9.65	3.00	Gold, 15µ	WM2649-ND	1.81	1.60	1.07	43045-0413
	6	12.65	6.00	Gold, 15µ	WM2650-ND	2.29	2.03	1.35	43045-0613
	8	15.65	9.00	Gold, 15µ	WM2651-ND	2.78	2.46	1.64	43045-0813
	10	18.65	12.00	Gold, 15µ	WM2652-ND	3.27	2.89	1.93	43045-1013
	12	21.65	15.00	Gold, 15µ	WM2653-ND	3.75	3.31	2.21	43045-1213
	14	24.65	18.00	Gold, 15µ	WM2654-ND	4.24	3.75	2.50	43045-1413
	16	27.65	21.00	Gold, 15µ	WM2655-ND	4.71	4.17	2.78	43045-1613
	18	30.65	24.00	Gold, 15µ	WM2656-ND	5.31	4.69	3.13	43045-1813
	20	33.65	27.00	Gold, 15µ	WM2657-ND	5.89	5.20	3.47	43045-2013
22	36.65	30.00	Gold, 15µ	WM2658-ND	6.49	5.72	3.82	43045-2213	
24	39.65	33.00							