

Fig.	Description	Circuits	Dimension A Inch (mm)	Digi-Key Part No.	Pricing		AMP Part No.
					1	25	
20	Square Post .045" (1.14mm) Square, Standard UL94V-0, 30µ" Gold Plated, .125" (3.18mm) Solder-tail, Natural	2	.312 (7.92)	A31676-ND	1.01	22.79	3-641208-2
		3	.468 (11.89)	A31677-ND	1.48	33.36	3-641208-3
		4	.624 (15.85)	A31678-ND	1.91	42.90	3-641208-4
		5	.780 (19.81)	A31679-ND	2.37	53.22	3-641208-5
		6	.936 (23.77)	A31680-ND	2.63	59.01	3-641208-6
		7	1.092 (27.74)	A31681-ND	3.36	75.48	3-641208-7
		8	1.248 (31.70)	A31682-ND	3.78	85.00	3-641208-8
		9	1.404 (35.66)	A31683-ND	4.28	96.12	3-641208-9
		10	1.560 (39.62)	A31684-ND	4.77	107.24	4-641208-0
		11	1.716 (43.59)	A31685-ND	5.20	116.78	4-641208-1
		12	1.872 (47.55)	A31686-ND	5.69	127.90	4-641208-2
		20	Round Post .045" (1.14mm) Square, Standard UL94V-0, Tin Plated, .125" (3.18mm) Solder-tail, Natural	2	.312 (7.92)	A19900-ND	.54
3	.468 (11.89)			A19901-ND	.49	4.74	640388-3
4	.624 (15.85)			A19902-ND	.42	5.84	640388-4
5	.780 (19.81)			A19903-ND	.38	6.89	640388-5
6	.936 (23.77)			A19904-ND	.40	8.48	640388-6
7	1.092 (27.74)			A19905-ND	.45	10.08	640388-7
8	1.248 (31.70)			A19906-ND	.52	11.67	640388-8
9	1.404 (35.66)			A19907-ND	.62	13.79	640388-9
10	1.560 (39.62)			A19908-ND	.64	14.32	1-640388-0
11	1.716 (43.59)			A19909-ND	.68	15.37	1-640388-1
12	1.872 (47.55)			A19910-ND	.75	16.97	1-640388-2
20	Round Post .045" (1.14mm) Square, Standard UL94V-0, Tin Plated, .175" (4.45mm) Solder-tail, Natural			2	.312 (7.92)	A24176-ND	.80
		3	.468 (11.89)	A24177-ND	.31	7.05	644753-3
		4	.624 (15.85)	A24178-ND	.43	9.55	644753-4
		5	.780 (19.81)	A24179-ND	.52	11.67	644753-5
		6	.936 (23.77)	A24180-ND	.64	14.32	644753-6
		7	1.092 (27.74)	A24181-ND	.71	15.91	644753-7
		8	1.248 (31.70)	A24182-ND	.83	18.56	644753-8
		9	1.404 (35.66)	A24183-ND	1.01	22.80	1-644753-0
		10	1.560 (39.62)	A24184-ND	1.22	27.57	1-644753-2
		11	1.716 (43.59)	A24185-ND	1.43	32.81	1-644753-3
		12	1.872 (47.55)	A24186-ND	1.64	38.05	1-644753-4

Fig.	Description	Circuits	Dimension A Inch (mm)	Digi-Key Part No.	Pricing		AMP Part No.
					1	25	
Right Angle Post Headers, .156" (3.96mm) Centers, Friction Lock Header — RoHS Compliant							
21	Right Angle Post .045" (1.14mm) Square, Front Bend, Standard UL94V-0, Tin-Plated, .125" (3.18mm) Solder-tail, Natural	2	.312 (7.92)	A1976-ND	.47	10.60	640389-2
		3	.468 (11.89)	A19920-ND	.55	12.31	640389-3
		4	.624 (15.85)	A1977-ND	.71	15.91	640389-4
		5	.780 (19.81)	A19921-ND	.88	19.62	640389-5
		6	.936 (23.77)	A1978-ND	1.07	23.86	640389-6
		7	1.092 (27.74)	A19922-ND	1.22	27.57	640389-7
		8	1.248 (31.70)	A1979-ND	1.41	31.81	640389-8
		9	1.404 (35.66)	A19923-ND	1.16	25.98	640389-9
		10	1.560 (39.62)	A1980-ND	1.30	29.16	1-640389-0
		11	1.716 (43.59)	A19924-ND	1.39	31.29	1-640389-1
		12	1.872 (47.55)	A19925-ND	1.56	35.00	1-640389-2
		21	Right Angle Post .045" (1.14mm) Square, Front Bend, Standard UL94V-0, 30µ" Gold Plated, .125" (3.18mm) Solder-tail, Natural	2	.312 (7.92)	A31688-ND	1.22
3	.468 (11.89)			A31689-ND	1.54	34.67	3-641210-3
4	.624 (15.85)			A31690-ND	2.15	48.47	3-641210-4
5	.780 (19.81)			A31691-ND	2.61	58.79	3-641210-5
6	.936 (23.77)			A31692-ND	3.14	70.71	3-641210-6
7	1.092 (27.74)			A31693-ND	3.95	88.98	3-641210-7
8	1.248 (31.70)			A31694-ND	4.49	100.89	3-641210-8
9	1.404 (35.66)			A31695-ND	6.09	137.13	4-641210-0
10	1.560 (39.62)			A31696-ND	5.94	133.47	4-641210-2
11	1.716 (43.59)			A19930-ND	2.40	9.01	640387-2
12	1.872 (47.55)			A19931-ND	.47	10.60	640387-3
22	Right Angle Post .045" (1.14mm) Square, Rear Bend, Standard UL94V-0, Tin-Plated, .125" (3.18mm) Solder-tail, Natural			3	—	A19932-ND	.56
		4	—	A19933-ND	.94	21.21	640387-5
		5	—	A19934-ND	1.11	24.92	640387-6
		6	—	A19935-ND	1.13	25.45	640387-7
		7	—	A19936-ND	1.16	25.98	640387-8
		8	—	A19937-ND	1.25	28.10	640387-9
		9	—	A19938-ND	1.39	31.29	1-640387-0
		10	—	A19939-ND	1.50	33.93	1-640387-1
		11	—	A19940-ND	1.65	37.12	1-640387-2
		12	—	A19941-ND	1.80	40.31	1-640387-3

A

AMP 2-Position, Low Profile Post Shunts

- Material:**
 • **Housing:** Glass-filled thermoplastic, 94V-0 rated
 • **Contact:** Beryllium copper or phosphor bronze
 • **Finish:** (50µ) nickel with gold plate in contact area or tin plate overall

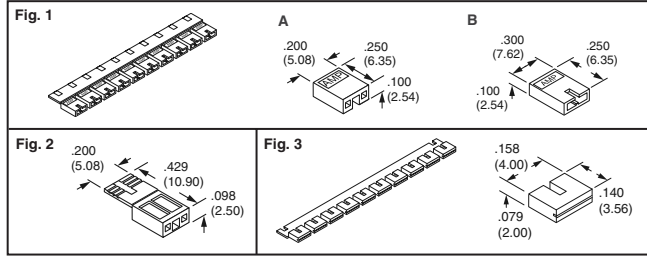


Fig.	Description	Housing Color	Digi-Key Part No.	Pricing		AMP Part No.
				10	50	
Economy, .100 (2.54mm) Centerline						
1A	Strip, Gold Flash, (5µ) over Nickel	Black	A26228-ND	2.45	9.80	382811-8
	Strip, Gold Plate, (15µ) over Nickel	Blue	A26226-ND	14.53	58.15	382811-2
	Strip, Gold Plate, (15µ) over Nickel	Black	A26227-ND	2.68	10.71	382811-6
	Strip, Gold Plate, (15µ) over Nickel	Red	A26230-ND	3.55	14.20	382811-9
	Loose Piece, Gold Plate, (15µ) over Nickel	Black	A26231-ND	10.82	43.27	1-382811-6
	Strip, Tin Plate, (100µ) over Nickel	Black	A31697-ND	1.22	4.88	2-382811-1
Standard Housing, .200 (5.08mm) Centerline						
1B	Strip, Gold Plate, (15µ) over Nickel	Black	A26232-ND	12.29	49.15	531230-2
	Strip, Gold Plate, (30µ) over Nickel	Black	A26233-ND	14.12	56.44	531230-3
	Strip, Tin Plate, (100µ) over Nickel	Black	A31698-ND	10.30	41.21	531230-4
Handle, .100 (2.54mm) Centerline						
2	Open Top and Gold Plate, (30µ) over Nickel	Black	A26242-ND	2.14	8.58	881545-2
	Open Top and Tin Plate, (100µ) over Nickel	Black	A26853-ND	2.17	8.65	4-881545-2
2mm Mini-Shunt, .079 (2.00mm) Centerline						
3	Strip, Gold Plate, (15µ) over Nickel	Black	A26244-ND	7.86	31.42	382575-2

AMP Economy Power (EP) Wire-to-Board Connector System

- Features:** • .156 (3.96) and .312 (7.92) centerlines • Positive locking • Vertical headers are end-to-end stackable • UL File No. E28476 • CSA File No. LR7189 • Use .156 (3.96) receptacles for .312 (7.92) headers
Specifications: • **Voltage Rating:** 250VAC • **Current Rating:** 8 amp maximum (1 pos.); 7.5 amp maximum (2 - 11 position) • **22 - 18AWG** • **Receptacle Contact:** Phosphor Bronze/Tin • **Post Contact:** Tin Plated
Durability: 50 mating and unmating cycles • **Operating Temperature:** -25°C - 105°C
 Dimensions in mm

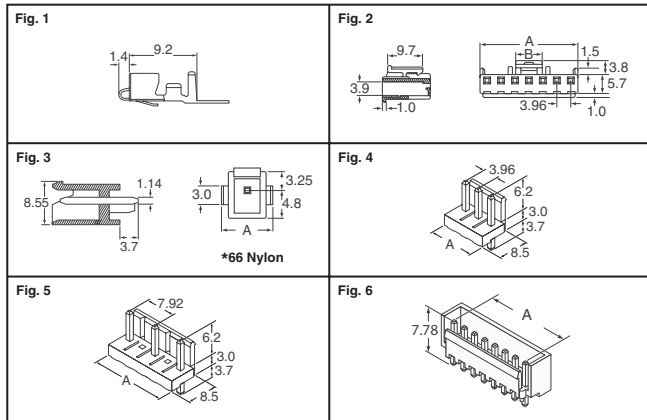


Fig.	Description	Digi-Key Part No.	Loose Pc. Pricing		AMP Part No.	Digi-Key Part No.	T & R Pricing		AMP Part No.
			1	25			4,000	53/M	
1	Contact	A30499-ND	.41	4.64	1318912-1	A30499TR-ND	114.53/M	1123721-1	

Fig.	Dimensions		No. of Positions	Digi-Key Part No.	Pricing		AMP Part No.	
	A	B			1	25		
Plug Housing (66 Nylon, UL94V-0, Natural) — RoHS Compliant								
2	7.86	3.60	2	A30501-ND	.34	3.06	1-1123722-2	
	11.82	7.50	3	A30502-ND	.33	3.55	1-1123722-3	
	15.78	7.50	4	A30503-ND	.33	4.96	1-1123722-4	
	19.74	7.50	5	A30504-ND	.33	6.56	1-1123722-5	
	23.70	7.50	6	A30505-ND	.35	7.82	1-1123722-6	
	27.66	7.50	7	A30506-ND	.40	9.10	1-1123722-7	
	31.62	7.50	8	A30507-ND	.46	10.37	1-1123722-8	
	35.58	7.50	9	A30508-ND	.53	12.05	1-1123722-9	
	39.54	7.50	10	A30509-ND	.61	13.79	1-1123722-0	
	43.50	7.50	11	A30510-ND	.73	16.46	1-1123722-1	
	Headers (Glass Reinforced PBT, UL94V-0, Natural)							
3	6.2	—	1	A30708-ND	.67	15.09	1-1123824-1	
	7.86	—	2	A30511-ND	.16	3.47	1-1318300-2	
	11.82	—	3	A30512-ND	.21	4.92	1-1318300-3	
	15.78	—	4	A30513-ND	.29	6.67	1-1318300-4	
	19.74	—	5	A30514-ND	.33	7.27	1-1318300-5	
	23.70	—	6	A30515-ND	.47	10.68	1-1318300-6	
	27.66	—	7	A30516-ND	.85	19.26	1-1318300-7	
	31.62	—	8	A30517-ND	.67	15.19	1-1318300-8	
	35.58	—	9	A30518-ND	.53	11.85	1-1318300-9	
	39.54	—	10	A30519-ND	.64	14.48	1-1318300-0	
	43.50	—	11	A30520-ND	.72	16.09	1-1318300-1	
4	11.82	—	2	A30521-ND	.61	13.62	1-1318301-2	
	19.74	—	3	A30522-ND	.30	6.88	1-1318301-3	
	27.66	—	4	A30523-ND	.63	14.24	1-1318301-4	
	35.58	—	5	A30524-ND	.37	8.27	1-1318301-5	
	3.96	—	2	A99845-ND	.32	7.33	1877285-2	
	7.92	—	3	A99846-ND	.35	7.91	1877285-3	
5	11.88	—	4	A99847-ND	.44	9.89	1877285-4	
	15.84	—	5	A99848-ND	.52	11.49	1877285-5	
	19.80	—	6	A99849-ND	.56	12.59	1877285-6	
	23.76	—	7	A99850-ND	.70	15.67	1877285-7	
	27.72	—	8	A99851-ND	.75	16.97	1877285-8	
	31.68	—	9	A99852-ND	.94	21.31	1877285-9	
	35.64	—	10	A99853-ND	1.00	22.47	1-1877285-0	
	39.60	—	11	A99854-ND	1.05	23.66	1-1877285-1	
	43.56	—	12	A99855-ND	1.10	24.81	1-1877285-2	
	Tool							
	Hand Crimp Tool, EP				A30527-ND	793.82	—	91579-1

♦ RoHS Compliant