



1.00mm Pitch Pico-Clasp™ Wire-to-Board Connectors

A

The Pico-Clasp connector system from Molex was developed for various connections in Flat Panel Displays (FPD). The compact, small circuit size features of this system also make it ideal for other applications such as Notebook PC's and other compact devices.

Features: • Provides space saving for mounting other components • Prevents wire hooking • Latch protection and secure mating retention • Strong mating retention and clear click feeling • Easy connector insertion and extraction

Physical Specifications: Headers: • Color: Natural Resin • Durability: 30 cycles per minute • Contact: Phosphor Bronze Tin plated (501331 and 501568); Phosphor Bronze Gold plated (501190) • Polarized to Mating Part • Operating Temperature Range: -40°C – 85°C **Receptacles:** • Color: White Resin • Housing: Nylon Resin • Operating Temperature Range: -40°C – 85°C

Electrical Specifications: Headers: • Current Rating: 1.00A maximum • Voltage: 50V maximum **Receptacles:** • Current Rating: 1.00A maximum

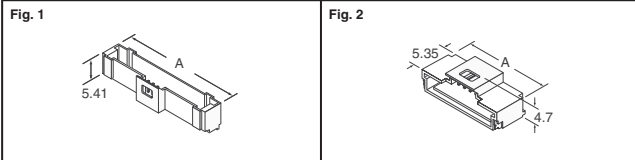
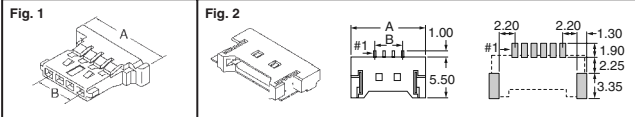


Fig.	Circuits	Dimension A (mm)	Digi-Key Part No.	Cut Tape Price Each			Molex Part No.
				1	10	100	
Vertical, Single Row SMD Headers							
1	2	4.0	WM7879CT-ND	1.18	1.04	.70	501331-0207
	2	4.0	WM7879TR-ND ‡ NEW!	534.48/1,100			501331-0207
	14	16.0	WM7891CT-ND	2.70	2.39	1.59	501331-1407
Right Angle, Single Row SMD Headers							
2	6	8.0	WM7897CT-ND	1.75	1.55	1.04	501568-0607
	7	9.0	WM7898CT-ND	1.55	1.38	.92	501568-0707

‡ Tape and Reel

Panel Mate 1.25mm Connectors Ultra Low Profile



Physical Specifications: • Housing: PBTP, UL 94V-0 • Temperature: -40°C – 85°C • Contact: Phosphor Bronze • Plating: Gold (Tin on SMT tails) • Solder Tabs: Phosphor Bronze, Tin plating **Electrical Specifications:** • Voltage: 125V • Current: 1.0A • Contact Resistance: 20mΩ maximum • Dielectric Withstanding Voltage: 250VAC • Insulation Resistance: 100MΩ minimum

Fig.	Circuits	Dimensions (mm)		Digi-Key Part No.	Price Each			Molex Part No.
					1	10	100	
Receptacle Housing - Ultra Low Profile								
1	2	5.72	1.25	WM5400-ND	.43	.38	.26	51146-0200
	3	6.97	2.50	WM5401-ND	.58	.52	.35	51146-0300
	4	8.22	3.75	WM5402-ND	.73	.64	.43	51146-0400
	5	9.47	5.00	WM5403-ND	.84	.75	.50	51146-0500
	6	10.72	6.25	WM5404-ND	.97	.86	.58	51146-0600
	7	11.97	7.50	WM5405-ND	1.19	1.05	.70	51146-0700
14	9	14.47	10.00	WM5406-ND	1.45	1.28	.86	51146-0900
	14	20.72	16.25	WM5407-ND	2.18	1.92	1.28	51146-1400
Right Angle, SMT								
2	2	7.65	1.25	WM7600CT-ND ‡	2.02	1.79	1.20	53780-0270
	2	7.65	1.25	WM7600TR-ND ‡	1186.68/1,500			53780-0270
	3	8.90	2.50	WM7601CT-ND ‡	2.35	2.08	1.39	53780-0370
	3	8.90	2.50	WM7601TR-ND ‡	1375.21/1,500			53780-0370
	4	10.15	3.75	WM7660CT-ND ‡	2.83	2.50	1.67	53780-0470
	4	10.15	3.75	WM7660TR-ND ‡	1659.67/1,500			53780-0470
	5	11.40	5.00	WM7602CT-ND ‡	3.10	2.74	1.83	53780-0570
	5	11.40	5.00	WM7602TR-ND ‡	1816.22/1,500			53780-0570
	6	12.65	6.25	WM7603CT-ND ‡	2.09	1.77	1.37	53780-0670
	6	12.65	6.25	WM7603TR-ND ‡	1584.02/1,500			53780-0670
	7	13.90	7.50	WM7604CT-ND ‡	3.62	3.20	2.14	53780-0770
	7	13.90	7.50	WM7604TR-ND ‡	2125.93/1,500			53780-0770
	9	16.40	10.00	WM7605CT-ND ‡	2.68	2.37	1.59	53780-0970
	9	16.40	10.00	WM7605TR-ND ‡	2324.55/1,500			53780-0970
14	22.65	16.25	WM7661CT-ND ‡	4.89	4.33	2.89	53780-1470	
14	22.65	16.25	WM7661TR-ND ‡	2869.92/1,500			53780-1470	
Crimp Terminal 28 – 30AWG				WM5506-ND	.71	.63	.42	50641-8141
Crimp Terminal 28 – 30AWG				WM5506TR-ND ‡	1795.46/25,000			50641-8041
Hand Crimper 28 – 32AWG				WM9805-ND	320.44/1			63811-7900

‡ Cut Tape ‡ Tape and Reel

PicoBlade™ 1.25mm Connectors



1.25mm Connectors: Physical Specifications: • Housing: PBTP, UL94V-0 • Temperature: -40°C – 85°C

• UL File No.: E29179 CSA File-No.: LR19980

1.25mm Crimp Terminal: Electrical Specifications: • Voltage: 125V • Current: 1.0A (0.8A for 32AWG)

• Contact Resistance: 20mΩ maximum • Dielectric Withstanding Voltage: 250VAC/1 minute • Insulation Resistance: 100MΩ minimum

Physical Specifications: • Contact: Phosphor Bronze • Plating: Tin • Wire Range: 26 – 32AWG • Insulation Range: 1.00mm diameter maximum • Strip Length: 1.40mm – 1.90mm

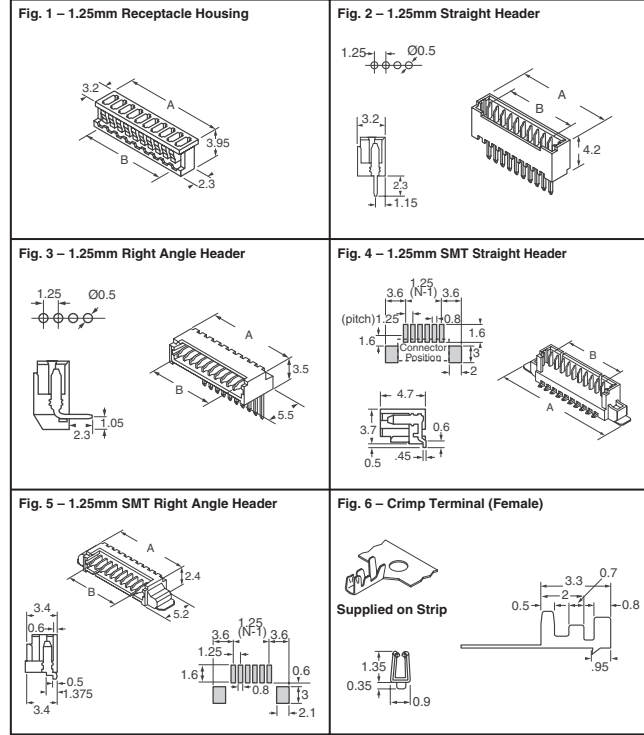


Fig.	Circuits	Dimensions (mm)		Digi-Key Part No.	Price Each				Molex Part No.
					1	10	100	500	
Receptacle Housing									
1	2	4.25	1.25	WM1720-ND	.36	.30	.22	.18	51021-0200
	3	5.50	2.50	WM1721-ND	.50	.32	.23	.18	51021-0300
	4	6.75	3.75	WM1722-ND	.52	.46	.31	.25	51021-0400
	5	8.00	5.00	WM1723-ND	.59	.53	.35	.28	51021-0500
	6	9.25	6.25	WM1724-ND	.66	.55	.39	.31	51021-0600
	7	10.50	7.50	WM1725-ND	.72	.60	.43	.35	51021-0700
	8	11.75	8.75	WM1726-ND	.79	.70	.47	.38	51021-0800
	9	13.00	10.00	WM1727-ND	.89	.56	.32	.26	51021-0900
	10	14.25	11.25	WM1728-ND	.92	.76	.55	.44	51021-1000
	11	15.50	12.50	WM1729-ND	.99	.82	.59	.47	51021-1100
	12	16.75	13.75	WM1730-ND	1.05	.87	.63	.50	51021-1200
	13	18.00	15.00	WM17000-ND	1.12	1.00	.67	.53	51021-1300
	14	19.25	16.25	WM17001-ND	1.19	1.05	.70	.56	51021-1400
	15	20.50	17.50	WM17002-ND	1.25	1.10	.74	.59	51021-1500
	Straight Headers								
2	2	4.25	1.25	WM1731-ND	.71	.45	.26	.21	53047-0210
	3	5.50	2.50	WM1732-ND	.74	.66	.44	.35	53047-0310
	4	6.75	3.75	WM1733-ND	.74	.52	.35	.29	53047-0410
	5	8.00	5.00	WM1734-ND	1.02	.84	.60	.48	53047-0510
	6	9.25	6.25	WM1735-ND	1.19	.84	.56	.46	53047-0610
	7	10.50	7.50	WM1736-ND	1.22	.86	.58	.47	53047-0710
	8	11.75	8.75	WM1737-ND	1.46	1.21	.86	.69	53047-0810
	9	13.00	10.00	WM1738-ND	1.60	1.42	.95	.76	53047-0910
	10	14.25	11.25	WM1739-ND	1.23	.97	.74	.59	53047-1010
	11	15.50	12.50	WM1740-ND	1.91	1.69	1.13	.91	53047-1110
	12	16.75	13.75	WM1741-ND	2.04	1.81	1.21	.97	53047-1210
	13	18.00	15.00	WM17003-ND	2.19	1.94	1.29	1.04	53047-1310
	14	19.25	16.25	WM17004-ND	2.32	2.06	1.37	1.10	53047-1410
	15	20.50	17.50	WM17005-ND	2.48	2.19	1.46	1.17	53047-1510
	Right Angle Headers								
3	2	4.25	1.25	WM1742-ND	.70	.62	.41	.33	53048-0210
	3	5.50	2.50	WM1743-ND	.84	.75	.50	.40	53048-0310
	4	6.75	3.75	WM1744-ND	.99	.88	.59	.47	53048-0410
	5	8.00	5.00	WM1745-ND	1.13	.94	.67	.54	53048-0510
	6	9.25	6.25	WM1746-ND	1.28	1.14	.76	.61	53048-0610

‡ Cut Tape ‡ Tape and Reel

(Continued)

Digi-Reel® Most SMT cutdown parts are available on a Digi-Reel®. For Digi-Reel part number, change 1-ND to 6-ND or CT-ND to DKR-ND. See Digi-Key® Services on page 2 for additional information.

Free shipping on orders over \$200 CAD! All prices in Canadian dollars and include duty and brokerage fees.