

# JST PH Series

## 2.0mm Connectors



**Features:** • Contact has long dimples near the center to ensure a good connection at all times • Square post is copper-undercoated and tin/lead-plated for superior solderability and for whisker prevention • This connector is also available in a surface mount configuration. Its housing is made of heat resistant resin so that it is not adversely affected during reflow soldering.  
**Specifications:** • Current Rating: 2A AC/DC • Voltage Rating: 100V AC/DC • Temperature Range: -25°C – 85°C • Applicable Wire: 32 – 24 AWG • Color: Natural (White)

A

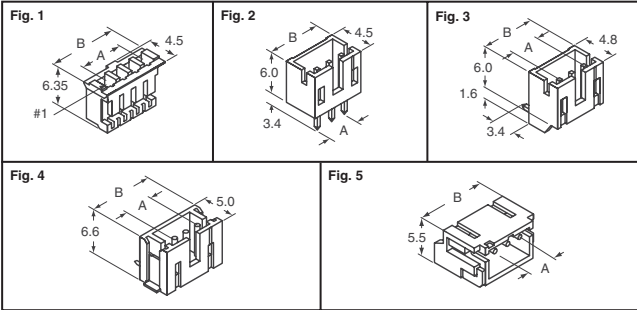


Fig.	Cir-uits	Dimensions (mm)		Digi-Key Part No.	Cut Tape Pricing			T & R Pricing 1,000	JST Part No.	
		A	B		1	10	100			
<b>Receptacle Housing</b>										
1	2	2.0	5.8	455-1165-ND	.06	.54	4.52	—	PHR-2	
	3	4.0	7.8	455-1126-ND	.06	.55	4.62	—	PHR-3	
	4	6.0	9.8	455-1164-ND	.08	.67	5.62	—	PHR-4	
	5	8.0	11.8	455-1163-ND	.08	.70	5.85	—	PHR-5	
	6	10.0	13.8	455-1162-ND	.08	.76	6.39	—	PHR-6	
	7	12.0	15.8	455-1161-ND	.10	.98	8.15	—	PHR-7	
	8	14.0	17.8	455-1189-ND	.11	1.02	8.48	—	PHR-8	
	9	16.0	19.8	455-1159-ND	.11	1.03	8.60	—	PHR-9	
	10	18.0	21.8	455-1151-ND	.12	1.11	9.26	—	PHR-10	
	11	20.0	23.8	455-1157-ND	.21	1.99	16.53	—	PHR-11	
	12	22	22.0	25.8	455-1156-ND	.24	2.15	17.95	—	PHR-12
13		24.0	27.8	455-1155-ND	.25	2.29	19.07	—	PHR-13	
14		26.0	29.8	455-1154-ND	.28	2.55	21.26	—	PHR-14	
15		28.0	31.8	455-1153-ND	.29	2.65	22.04	—	PHR-15	
16		30.0	33.8	455-1152-ND	.38	3.53	29.41	—	PHR-16	
<b>Headers</b>										
<b>Top Entry Thru-hole (Shrouded)</b>										
2	2	2.0	5.9	455-1704-ND	.11	1.07	8.91	—	B2B-PH-K-S(LF)(SN)	
	3	4.0	7.9	455-1705-ND	.16	1.50	12.51	—	B3B-PH-K-S(LF)(SN)	
	4	6.0	9.9	455-1706-ND	.20	1.87	15.60	—	B4B-PH-K-S(LF)(SN)	
	5	8.0	11.9	455-1707-ND	.26	2.42	20.19	—	B5B-PH-K-S(LF)(SN)	
	6	10.0	13.9	455-1708-ND	.30	2.77	23.09	—	B6B-PH-K-S(LF)(SN)	
	7	12.0	15.9	455-1709-ND	.36	3.27	27.23	—	B7B-PH-K-S(LF)(SN)	
	8	14.0	17.9	455-1710-ND	.39	3.58	29.78	—	B8B-PH-K-S(LF)(SN)	
	9	16.0	19.9	455-1711-ND	.44	4.04	33.66	—	B9B-PH-K-S(LF)(SN)	
	10	18.0	21.9	455-1712-ND	.48	4.41	36.75	—	B10B-PH-K-S(LF)(SN)	
	11	20.0	23.9	455-1713-ND	.52	4.76	39.66	—	B11B-PH-K-S(LF)(SN)	
	12	22.0	25.9	455-1714-ND	.56	5.13	42.74	—	B12B-PH-K-S(LF)(SN)	
	13	24.0	27.9	455-1715-ND	.62	5.66	47.15	—	B13B-PH-K-S(LF)(SN)(P)	
	14	26.0	29.9	455-1716-ND	.66	6.10	50.86	—	B14B-PH-K-S(LF)(SN)	
	15	28.0	31.9	455-1717-ND	.71	6.51	54.20	—	B15B-PH-K-S(LF)(SN)	
	16	30.0	33.9	455-1718-ND	.80	7.40	61.60	—	B16B-PH-K-S(LF)(SN)	
	<b>Side Entry Thru-hole (Shrouded)</b>									
3	2	2.0	5.9	455-1719-ND	.11	1.05	8.81	—	S2B-PH-K-S(LF)(SN)	
	3	4.0	7.9	455-1720-ND	.15	1.39	11.64	—	S3B-PH-K-S(LF)(SN)	
	4	6.0	9.9	455-1721-ND	.19	1.72	14.29	—	S4B-PH-K-S(LF)(SN)	
	5	8.0	11.9	455-1722-ND	.22	2.11	17.54	—	S5B-PH-K-S(LF)(SN)	
	6	10.0	13.9	455-1723-ND	.27	2.51	20.97	—	S6B-PH-K-S(LF)(SN)	
	7	12.0	15.9	455-1724-ND	.30	2.81	23.35	—	S7B-PH-K-S(LF)(SN)	
	8	14.0	17.9	455-1725-ND	.36	3.28	27.32	—	S8B-PH-K-S(LF)(SN)	
	9	16.0	19.9	455-1726-ND	.39	3.65	30.41	—	S9B-PH-K-S(LF)(SN)	
	10	18.0	21.9	455-1727-ND	.44	4.06	33.84	—	S10B-PH-K-S(LF)(SN)	
	11	20.0	23.9	455-1728-ND	.47	4.39	36.57	—	S11B-PH-K-S(LF)(SN)	
	12	22.0	25.9	455-1729-ND	.55	5.04	41.95	—	S12B-PH-K-S(LF)(SN)	
	13	24.0	27.9	455-1730-ND	.58	5.35	44.63	—	S13B-PH-K-S(LF)(SN)	
	14	26.0	29.9	455-1731-ND	.61	5.61	46.79	—	S14B-PH-K-S(LF)(SN)	
	15	28.0	31.9	455-1732-ND	.65	5.96	49.66	—	S15B-PH-K-S(LF)(SN)	
	16	30.0	33.9	455-1733-ND	.80	7.38	61.52	—	S16B-PH-K-S(LF)(SN)	
	<b>Top Entry SMT (Shrouded)</b>									
4	2	2.0	7.95	455-1734-1-ND	.53	4.87	40.63	269.79	B2B-PH-SM4-TB(LF)(SN)(P)	
	3	4.0	9.95	455-1735-1-ND	.61	5.58	46.45	308.38	B3B-PH-SM4-TB(LF)(SN)(P)	
	4	6.0	11.95	455-1736-1-ND	.76	7.04	58.60	389.12	B4B-PH-SM4-TB(LF)(SN)(P)	
	5	8.0	13.95	455-1737-1-ND	.82	7.60	63.28	420.15	B5B-PH-SM4-TB(LF)(SN)	
	6	10.0	15.95	455-1738-1-ND	.90	8.24	68.65	455.84	B6B-PH-SM4-TB(LF)(SN)	
	7	12.0	17.95	455-1739-1-ND	.99	9.12	76.06	505.01	B7B-PH-SM4-TB(LF)(SN)	
	8	14.0	19.95	455-1740-1-ND	1.05	9.74	81.17	538.94	B8B-PH-SM4-TB(LF)(SN)	
	9	16.0	21.95	455-1741-1-ND	1.13	10.46	87.16	578.73	B9B-PH-SM4-TB(LF)(SN)	
	10	18.0	23.95	455-1742-1-ND	1.35	12.43	103.64	688.16	B10B-PH-SM4-TB(LF)(SN)	
	11	20.0	25.95	455-1743-1-ND	1.44	13.23	110.24	732.02	B11B-PH-SM4-TB(LF)(SN)	
	12	22.0	27.95	455-1744-1-ND	1.49	13.83	115.18	764.81	B12B-PH-SM4-TB(LF)(SN)	
	13	24.0	29.95	455-1745-1-ND	1.55	14.26	118.88	789.39	B13B-PH-SM4-TB(LF)(SN)	
	14	26.0	31.95	455-1746-1-ND	1.59	14.71	122.58	813.96	B14B-PH-SM4-TB(LF)(SN)	
	15	28.0	33.95	455-1747-1-ND	1.64	15.15	126.29	838.53	B15B-PH-SM4-TB(LF)(SN)	
	16	30.0	35.95	455-1748-1-ND	1.69	15.60	129.99	863.12	B16B-PH-SM4-TB(LF)(SN)	
	<b>Side Entry SMT (Shrouded)</b>									
5	2	2.0	7.9	455-1749-1-ND	.56	5.13	42.74	283.79	S2B-PH-SM4-TB(LF)(SN)	
	3	4.0	9.9	455-1750-1-ND	.65	6.03	50.24	333.55	S3B-PH-SM4-TB(LF)(SN)	
	4	6.0	11.9	455-1751-1-ND	.75	6.96	57.99	385.04	S4B-PH-SM4-TB(LF)(SN)	

Fig.	Cir-uits	Dimensions (mm)		Digi-Key Part No.	Cut Tape Pricing			T & R Pricing 1,000	JST Part No.
		A	B		1	10	100		
5	8.0	13.9	455-1752-1-ND	.79	7.27	60.63	402.59	S5B-PH-SM4-TB(LF)(SN)(P)	
6	10.0	15.9	455-1753-1-ND	.94	8.70	72.45	481.01	S6B-PH-SM4-TB(LF)(SN)	
7	12.0	17.9	455-1754-1-ND	.95	8.80	73.32	486.84	S7B-PH-SM4-TB(LF)(SN)	
8	14.0	19.9	455-1755-1-ND	1.02	9.44	78.64	522.15	S8B-PH-SM4-TB(LF)(SN)	
9	16.0	21.9	455-1756-1-ND	1.17	10.81	90.06	598.03	S9B-PH-SM4-TB(LF)(SN)	
10	18.0	23.9	455-1757-1-ND	1.35	12.47	103.90	689.92	S10B-PH-SM4-TB(LF)(SN)	
	12	22.0	27.9	455-1758-1-ND	1.48	13.67	113.85	756.01	S12B-PH-SM4-TB(LF)(SN)
	13	24.0	29.9	455-1759-1-ND	1.55	14.27	118.97	789.96	S13B-PH-SM4-TB(LF)(SN)
	14	26.0	31.9	455-1760-1-ND	1.58	14.62	121.88	809.29	S14B-PH-SM4-TB(LF)(SN)
	15	28.0	33.9	455-1761-1-ND	1.63	14.97	124.78	828.58	S15B-PH-SM4-TB(LF)(SN)

For Tape and Reel part number, change 1-ND to 2-ND.

Description	Digi-Key Part No.	Cut Tape Pricing			Tape and Reel Qty.	Pricing	JST Part No.
		1	10	100			
<b>Contacts-Tin Plated</b>							
30 – 24 AWG	455-1127-1-ND	.04	.33	2.81	8,000	16.87/M	SPH-002T-P0.5S
32 – 28 AWG	455-1318-1-ND	.04	.32	2.70	10,000	14.37/M	SPH-004T-P0.5S
<b>Crimp Tools</b>							
30 – 24 AWG	455-1128-ND	555.09	—	—	—	—	WC-240
32 – 28 AWG	455-1236-ND	1101.30	—	—	—	—	YRS-243

For Tape and Reel part number, change 1-ND to 2-ND.

# PHD Series

## 2.0mm Connectors



**Features:** • This compact design meets the demand for high-density connection • The box contact supplies stable contact performance  
**Specifications:** • Current Rating: 3A AC/DC • Voltage Rating: 250V AC/DC • Temperature Range: -25°C – 85°C • Applicable Wire: 28 – 22 AWG

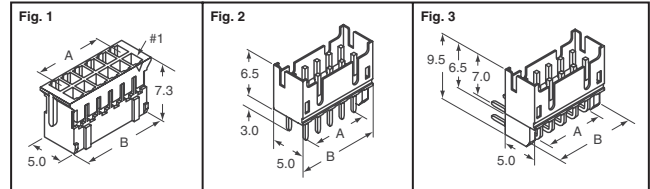


Fig.	Cir-uits	Dimensions - mm		Digi-Key Part No.	Pricing			JST Part No.	
		A	B		1	10	100		
<b>Housing — Color: Natural White</b>									
1	8	6.0	9.9	455-2265-ND	.29	2.70	22.54	PHDR-08VS	
	10	8.0	11.9	455-1158-ND	.30	2.82	23.43	PHDR-10VS	
	12	10.0	13.9	455-1204-ND	.29	2.70	22.52	PHDR-12VS	
	14	12.0	15.9	455-1172-ND	.31	2.90	24.17	PHDR-14VS	
	16	14.0	17.9	455-1173-ND	.34	3.10	25.85	PHDR-16VS	
	18	16.0	19.9	455-1905-ND	.34	3.14	26.15	PHDR-18VS	
	20	18.0	21.9	455-1174-ND	.35	3.18	26.44	PHDR-20VS	
	22	20.0	23.9	455-1175-ND	.59	5.50	45.83	PHDR-22VS	
	24	22.0	25.9	455-1177-ND	.61	5.54	46.20	PHDR-24VS	
	26	24.0	27.9	455-1178-ND	.61	5.60	46.70	PHDR-26VS	
	28	26.0	29.9	455-1171-ND	.62	5.64	47.07	PHDR-28VS	
	30	28.0	31.9	455-1180-ND	.62	5.72	47.67	PHDR-30VS	
	32	30.0	33.9	455-1179-ND	.63	5.77	48.11	PHDR-32VS	
	34	32.0	35.9	455-1182-ND	.63	5.82	48.54	PHDR-34VS	
	<b>Headers — Color: Natural Ivory</b>								
	<b>Top Entry (Shrouded)</b>								
2	8	6.0	9.9	455-2230-ND	.39	3.67	30.58	B8B-PHDSS(LF)(SN)(P)	
	10	8.0	11.9	455-1762-ND	.43	3.96	33.03	B10B-PHDSS(LF)(SN)(P)	
	12	10.0	13.9	455-1763-ND	.47	4.37	36.39	B12B-PHDSS(LF)(SN)(P)	
	14	12.0	15.9	455-1764-ND	.59	5.49	45.69	B14B-PHDSS(LF)(SN)(P)	
	16	14.0	17.9	455-1765-ND	.64	5.93	49.33	B16B-PHDSS(LF)(SN)(P)	
	18	16.0	19.9	455-1766-ND	.67	6.23	51.87	B18B-PHDSS(LF)(SN)	
	20	18.0	21.9	455-1767-ND	.73	6.76	56.34	B20B-PHDSS(LF)(SN)	
	22	20.0	23.9	455-1768-ND	.93	8.62	71.81	B22B-PHDSS(LF)(SN)	
	24	22.0	25.9	455-1769-ND	1.01	9.35	77.90	B24B-PHDSS(LF)(SN)	
	26	24.0	27.9	455-1770-ND	1.05	9.74	81.17	B26B-PHDSS(LF)(SN)	