



AMP Mini CT 1.5mm Connectors

A

Features: • Super-miniature wire-to-board and wire-to-wire connects • Can be used to produce a variety of harness styles by fully automatic high speed assembling machines • 1 row and 2 row types • Small-size, yet productivity-oriented • Post header construction resists scooping of contacts at mating/unmating • DIP-type post headers feature a staggered tine design and can be used on paper-based phenolic boards • IDC (Insulation Displacement Contacts) • AWG: 28-24 • Pitch: 1.5mm

Applications: • Business equipment • Industrial machines • Anywhere there is a routing signal or power • Wire-to-Board applications

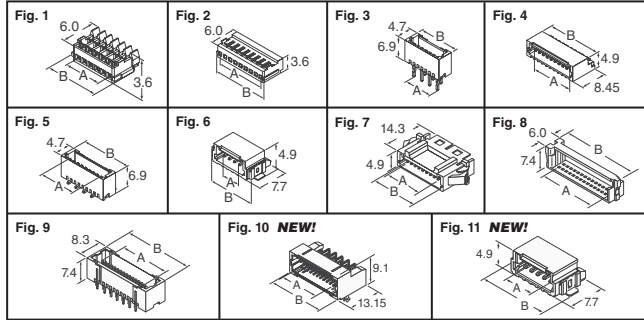


Fig.	Color	No. of Positions	Dimensions - mm		Digi-Key Part No.	Pricing			AMP Part No.
			A	B		1	25	100	
IDC Receptacle Assembly, 26 - 28 AWG									
1	Gray	2	1.5	4.5	A98640-ND	.19	4.24	12.01	353293-2
	Gray	3	3.0	6.0	A98641-ND	.21	4.71	13.36	353293-3
	Gray	4	4.5	7.5	A98642-ND	.24	5.22	14.79	353293-4
	Gray	5	6.0	9.0	A98643-ND	.30	6.82	19.33	353293-5
	Gray	6	7.5	10.5	A98644-ND	.31	7.20	20.42	353293-6
	Gray	7	9.0	12.0	A98645-ND	.31	7.24	20.51	353293-7
	Gray	8	10.5	13.5	A98646-ND	.38	8.66	24.54	353293-8
	Gray	9	12.0	15.0	A98646-ND	.37	8.51	24.08	353293-9
	Gray	10	13.5	16.5	A98647-ND	.52	11.81	33.45	1-353293-0
	Gray	11	15.0	18.0	A98648-ND	.44	9.86	27.96	1-353293-1
	Gray	12	16.5	19.5	A98649-ND	.40	9.21	26.10	1-353293-2
	Gray	13	18.0	21.0	A98650-ND	.45	10.10	28.63	1-353293-3
	Gray	14	19.5	22.5	A98651-ND	.46	10.45	29.59	1-353293-4
	Gray	15	21.0	24.0	A98652-ND	.48	10.99	31.13	1-353293-5
	Gray	16	22.5	24.5	A99738-ND	.54	12.14	34.41	1-353293-6
	Gray	17	24.0	26.0	A99739-ND	.57	12.90	36.55	1-353293-7
	Gray	18	25.5	27.5	A99740-ND	.59	13.49	38.20	1-353293-8
	Gray	19	27.0	29.0	A99741-ND	.62	14.06	39.85	1-353293-9
	Gray	20	28.5	30.5	A99742-ND	.67	15.31	43.36	1-353293-0

Fig.	Color	No. of Positions	Dimensions - mm		Digi-Key Part No.	Pricing			AMP Part No.
			A	B		1	25	100	
Crimp Receptacle Housing, 24 - 28 AWG									
2	White	2	1.5	4.5	A98653-ND	.30	6.92	19.62	353908-2
	White	3	3.0	6.0	A98654-ND	.31	7.13	20.20	353908-3
	White	4	4.5	7.5	A98655-ND	.34	7.60	21.53	353908-4
	White	5	6.0	9.0	A98656-ND	.34	7.54	21.35	353908-5
	White	6	7.5	10.5	A98657-ND	.34	7.74	21.93	353908-6
	White	7	9.0	12.0	A98658-ND	.35	7.94	22.51	353908-7
	White	8	10.5	13.5	A98659-ND	.45	10.22	28.96	353908-8
	White	9	12.0	15.0	A98660-ND	.47	10.73	30.41	353908-9
	White	10	13.5	16.5	A98661-ND	.52	11.76	33.31	1-353908-0
	White	11	15.0	18.0	A98662-ND	.48	9.71	27.52	1-353908-1
	White	12	16.5	19.5	A98663-ND	.59	13.51	38.28	1-353908-2
	White	13	18.0	21.0	A98664-ND	.68	15.47	43.83	1-353908-3
	White	14	19.5	22.5	A98665-ND	.81	18.17	51.47	1-353908-4
	White	15	21.0	24.0	A98666-ND	.73	16.39	46.45	1-353908-5
	White	16	22.5	24.5	A99792-ND	.76	17.37	49.23	1-353908-6
	White	17	24.0	26.0	A99793-ND	.79	17.89	50.68	1-353908-7
	White	18	25.5	27.5	A99794-ND	1.21	27.38	77.59	1-353908-8
	White	19	27.0	29.0	A99795-ND	1.05	23.86	67.60	1-353908-9

Fig.	No. of Positions	Dimensions - mm		Digi-Key Part No.	Pricing			AMP Part No.
		A	B		1	25	50	
Single Row Post Header Assemblies								
Vertical Through Hole with Boss								
3	2	1.5	3.6	A98681-ND	.34	7.64	13.59	292207-2
	3	3.0	5.1	A98682-ND	.35	7.90	14.05	292207-3
	4	4.5	6.6	A98683-ND	1.04	23.55	41.88	292207-4
	5	6.0	8.1	A98684-ND	.37	8.26	14.69	292207-5
	6	7.5	9.6	A98685-ND	.48	10.74	19.10	292207-6
	7	9.0	11.1	A98686-ND	.48	10.82	19.23	292207-7
	8	10.5	12.6	A98687-ND	.50	11.29	20.06	292207-8
	9	12.0	14.1	A98688-ND	.57	12.97	23.06	292207-9
	10	13.5	15.6	A98689-ND	.61	13.65	24.25	1-292207-0
	11	15.0	17.1	A98690-ND	.77	17.42	30.96	1-292207-1
	12	16.5	18.6	A98691-ND	.72	16.19	28.78	1-292207-2
	13	18.0	20.1	A98692-ND	.73	16.38	29.13	1-292207-3
	14	19.5	21.6	A98693-ND	.73	16.43	29.20	1-292207-4
	15	21.0	23.1	A98694-ND	.73	16.46	29.27	1-292207-5
	16	22.5	24.6	A99777-ND	.85	19.25	34.21	1-292207-6
	17	24.0	26.1	A99778-ND	.90	20.11	35.75	1-292207-7
	18	25.5	27.6	A99779-ND	.91	20.46	36.38	1-292207-8
	19	27.0	29.1	A99780-ND	.99	22.11	39.30	1-292207-9
	20	28.5	30.6	A99781-ND	.83	18.72	33.27	2-292207-0

Fig.	No. of Positions	Dimensions - mm		Digi-Key Part No.	Pricing			AMP Part No.
		A	B		1	25	50	
Right Angle Through Hole								
4	2	1.5	3.6	A98667-ND	.43	9.48	16.85	292206-2
	3	3.0	5.1	A98668-ND	.43	9.47	16.84	292206-3
	4	4.5	6.6	A98669-ND	.53	11.86	21.10	292206-4
	5	6.0	8.1	A98670-ND	.49	11.04	19.63	292206-5
	6	7.5	9.6	A98671-ND	.63	14.04	24.95	292206-6
	7	9.0	11.1	A98672-ND	.85	19.25	34.21	292206-7
	8	10.5	12.6	A98673-ND	1.02	22.95	40.80	292206-8
	9	12.0	14.1	A98674-ND	1.01	22.76	40.47	292206-9
	10	13.5	15.6	A98675-ND	.58	13.10	23.27	1-292206-0
	11	15.0	17.1	A98676-ND	1.07	23.86	42.42	1-292206-1
	12	16.5	18.6	A98677-ND	1.20	27.07	48.12	1-292206-2
	13	18.0	20.1	A98678-ND	.81	18.20	32.36	1-292206-3
	14	19.5	21.6	A98679-ND	.84	18.85	33.52	1-292206-4
	15	21.0	23.1	A98680-ND	1.48	33.35	59.28	1-292206-5
	16	22.5	24.60	A99772-ND	.89	19.83	35.25	1-292206-6
	17	24.0	26.1	A99773-ND	.93	21.05	37.44	1-292206-7
	18	25.5	27.6	A99774-ND	.97	21.79	38.75	1-292206-8
	19	27.0	29.1	A99775-ND	1.81	40.61	72.20	1-292206-9
	20	28.5	30.6	A99776-ND	1.92	43.07	76.58	2-292206-0

Fig.	No. of Positions	Dim. - mm		Digi-Key Part No.	Pricing			Tape and Reel Qty.	AMP Part No.	
		A	B		1	25	50			
Single Row Post Header Assemblies										
Vertical SMT with Boss										
5	3	3.0	7.0	A98708CT-ND†	.53	11.93	21.20	500	150.16	292230-3
	4	4.5	8.5	A98709CT-ND†	.57	12.96	23.05	500	163.27	292230-4
	5	6.0	10.0	A98710CT-ND†	.79	17.79	31.63	500	224.04	292230-5
	6	7.5	11.5	A98711CT-ND†	.65	14.67	26.07	500	184.67	292230-6
	7	9.0	13.0	A98712CT-ND†	.74	16.54	29.41	500	208.32	292230-7
	8	10.5	14.5	A98713CT-ND†	.77	17.31	30.79	500	218.10	292230-8
	9	12.0	16.0	A98714CT-ND†	1.32	29.84	53.03	500	375.69	292230-9
	10	13.5	17.5	A98715CT-ND†	.95	21.57	38.34	500	271.60	1-292230-0
	11	15.0	19.0	A98716CT-ND†	1.02	23.08	41.05	500	290.74	1-292230-1
	12	16.5	20.5	A98717CT-ND†	1.84	41.41	73.62	500	521.47	1-292230-2
	13	18.0	22.0	A98718CT-ND†	1.21	27.19	48.34	500	342.42	1-292230-3
	14	19.5	23.5	A98719CT-ND†	1.30	29.24	51.99	500	368.24	1-292230-4
	15	21.0	25.0	A98720CT-ND†	1.39	31.39	55.61	500	395.28	1-292230-5
	16	22.5	26.5	A98721CT-ND†	1.45	32.63	58.02	500	410.97	1-292230-6
	17	24.0	28.0	A98722CT-ND†	1.55	34.83	61.92	500	438.60	1-292230-7
	18	25.5	29.5	A98723CT-ND†	1.50	33.88	60.23	500	426.65	1-292230-8
	19	27.0	31.0	A98724CT-ND†	1.46	32.73	58.20	500	412.25	1-292230-9
	20	28.5	32.5	A98725CT-ND†	1.75	39.46	70.15	500	496.86	2-292230-0

Fig.	No. of Positions	Dimensions - mm		Digi-Key Part No.	Pricing			AMP Part No.		
		A	B		1	25	100			
Right Angle SMT with Boss										
6	2	1.5	7.5	A98695CT-ND†	.92	20.65	36.69	700	363.94	292227-2
	3	3.0	9.0	A98696CT-ND†	1.05	23.71	42.15	700	417.96	292227-3
	4	4.5	10.5	A98697CT-ND†	1.05	23.74	42.22	700	418.59	292227-4
	5	6.0	12.0	A98698CT-ND†	1.13	25.59	45.49	700	451.13	292227-5
	6	7.5	13.5	A98699CT-ND†	1.19	26.88	47.78	700	473.84	292227-6
	7	9.0	15.0	A98700CT-ND†	1.32	29.73	52.84	700	524.03	292227-7
	8	10.5	16.5	A98701CT-ND†	1.38	31.11	55.29	700	548.32	292227-8
	9	12.0	18.0	A98702CT-ND†	1.45	32.65	58.04	700	575.60	292227-9
	10	13.5	19.5	A98703CT-ND†	1.59	35.91	63.84	700	633.12	1-292227-0
	11	15.0	21.0	A98704CT-ND†	1.48	33.42	59.42	700		