

molex® 0.3mm FPC SMT Connectors (Cont.)



A

Table with columns: No. of Positions, Maximum Current (A), Dim. A mm, Digi-Key Part No., Price Each (1, 10, 100, 250), Molex Part No. Includes sub-tables for Bottom Contact Style, Gold and Top Contact Style, ZIF, Gold.

Table with columns: No. of Positions, Maximum Current (A), Dim. A mm, Digi-Key Part No., Price Each (1, 10, 100, 250), Molex Part No. Includes sub-tables for Bottom Contact Style, Easy On™, Gold and Bottom Contact Style, Easy On™, ZIF, Gold.

Kit

WM1045-ND (76650-0004) FPC Connector Kit; (Ultra Low Profile SMT ZIF Right Angle Receptacle) \$37.88

0.5mm FFC/FPC Connectors



Specifications:

Electrical: • Voltage: 50V • Insulation Resistance: 50MΩ minimum • Flammability: UL94V-0 • Actuator: Polyphenylene Sulfide

Note: Please see Digi-Key's website for data sheets.

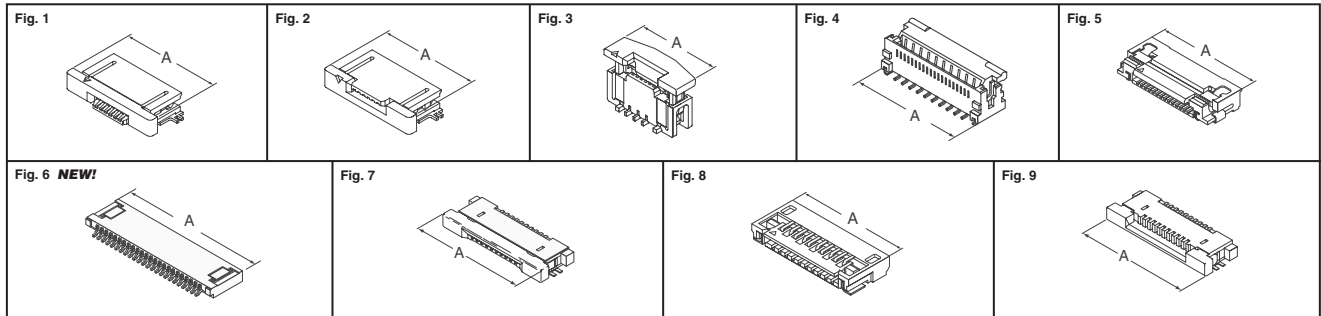


Table with columns: Fig., No. of Pos., Dim. A mm, Digi-Key Part No., Cut Tape Price Each (1, 10, 100), Tape and Reel Qty., Pricing, Molex Part No. Includes sub-tables for Bottom Contact Style, Tin Plated Alternative, Gold Plated Alternative, Top Contact Style, Tin Plated Alternative, Gold Plated Alternative, Vertical Contact Style, Tin Plated Alternative.

Table with columns: Fig., No. of Pos., Dim. A mm, Digi-Key Part No., Cut Tape Price Each (1, 10, 100), Tape and Reel Qty., Pricing, Molex Part No. Includes sub-tables for Bottom Contact Style, Tin Plated Alternative, Gold Plated Alternative, Right Angle, SMT, ZIF, NEW! Right Angle, SMT, Non-ZIF, NEW!, Vertical, SMT, ZIF, Right Angle, SMT, ZIF - Bottom Contact Style.

(Continued)

Digi-Reel® Most SMT cutdown parts are available on a Digi-Reel®. For Digi-Reel part number, change 1-ND to 6-ND or CT-ND to DKR-ND. See Digi-Key® Services on page 2 for additional information.

Free shipping on orders over \$200 CAD! All prices in Canadian dollars and include duty and brokerage fees.