



FLZ Series 0.5mm FFC/FPC Connectors



A

This extremely small 0.5mm (.020") pitch connector with a height of only 2.0mm (.079") above the PCB surface allows interconnection in extremely small spaces and is an example of JST's leading edge technology. **Features:** • Zero insertion force mechanism increases wear resistance and extends the connector's mating life • Heat resistant design suitable for surface mounting to allow for reflow soldering • In-line surface mount tails for easy inspection • Two types of connections:

normal or reverse configurations; the FFC/FPC is positioned with its mating surfaces facing upward for the normal configured connector, while the reverse configuration requires that the FFC/FPC be positioned with its mating surfaces facing down giving the engineer greater freedom in designing the circuitry. **Specifications:** • Current Rating: 0.5A AC/DC • Voltage Rating: 50V AC/DC • Temperature Range: -25°C - 85°C • Withstanding Voltage: 200V AC/minute

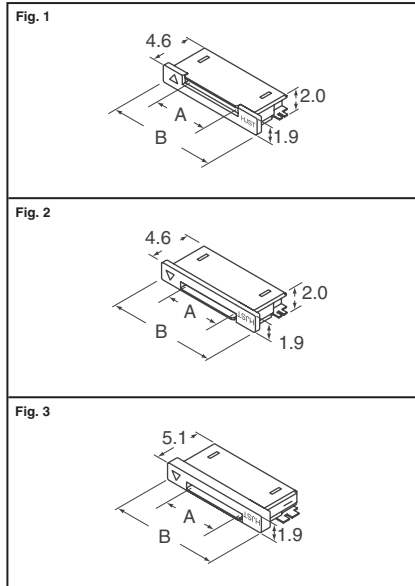


Fig.	Circuits	Dimensions (mm)			Digi-Key Part No.	Cut Tape Pricing			Tape & Reel† Pricing 2,000	JST Part No.	
		A	B			1	10	100			
Normal Type											
1	6	2.5	8.9		455-1960-1-ND	1.01	9.30	77.49	514.47/M	06FLZ-SM2-TB(LF)(SN)	
	8	3.5	9.9		455-1964-1-ND	1.08	9.94	82.84	550.05/M	08FLZ-SM2-TB(LF)(SN)	
	9	4.0	10.4		455-1966-1-ND	1.25	11.51	95.91	636.85/M	09FLZ-SM2-TB(LF)(SN)	
	12	5.5	11.9		455-1968-1-ND	1.36	12.57	104.72	695.36/M	12FLZ-SM2-TB(LF)(SN)	
	14	6.5	12.9		455-1970-1-ND	1.40	12.99	108.32	719.28/M	14FLZ-SM2-TB(LF)(SN)	
	16	7.5	13.9		455-1972-1-ND	1.53	14.07	117.29	778.76/M	16FLZ-SM2-TB(LF)(SN)	
	20	9.5	15.9		455-1974-1-ND	1.60	14.79	123.21	818.12/M	20FLZ-SM2-TB(LF)(SN)(P)	
	24	11.5	17.9		455-1977-1-ND	1.84	17.03	141.95	942.59/M	24FLZ-SM2-TB(LF)(SN)	
2	27	13.0	19.4		455-1981-1-ND	1.95	18.00	149.97	995.76/M	27FLZ-SM2-TB(LF)(SN)	
	28	13.5	19.9		455-1983-1-ND	1.96	18.12	151.00	1002.65/M	28FLZ-SM2-TB(LF)(SN)	
	Reverse Type										
	2	6	2.5	8.9		455-1959-1-ND	1.00	9.26	77.11	512.04/M	06FLZ-RSM2-TB(LF)(SN)(P)
		7	3.0	9.4		455-1961-1-ND	1.03	9.49	79.09	525.12/M	07FLZ-RSM2-TB(LF)(SN)
		8	3.5	9.9		455-1963-1-ND	1.07	9.88	82.32	546.63/M	08FLZ-RSM2-TB(LF)(SN)
		12	5.5	11.9		455-1967-1-ND	1.36	12.49	104.07	690.98/M	12FLZ-RSM2-TB(LF)(SN)
		14	6.5	12.9		455-1969-1-ND	1.40	12.99	108.32	719.28/M	14FLZ-RSM2-TB(LF)(SN)
16		7.5	13.9		455-1971-1-ND	1.49	13.81	115.13	764.47/M	16FLZ-RSM2-TB(LF)(SN)	
20		9.5	15.9		455-1973-1-ND	1.58	14.61	121.72	808.19/M	20FLZ-RSM2-TB(LF)(SN)	
22		10.5	16.9		455-1975-1-ND	1.67	15.40	128.31	851.93/M	22FLZ-RSM2-TB(LF)(SN)	
24		11.5	17.9		455-1976-1-ND	1.73	16.00	133.30	885.14/M	24FLZ-RSM2-TB(LF)(SN)	
26		12.5	18.9		455-1978-1-ND	1.91	17.60	146.59	973.32/M	26FLZ-RSM2-TB(LF)(SN)	
3	27	13.0	19.4		455-1980-1-ND	1.94	17.90	149.16	990.37/M	27FLZ-RSM2-TB(LF)(SN)	
	28	13.5	19.9		455-1982-1-ND	1.95	18.03	150.26	997.71/M	28FLZ-RSM2-TB(LF)(SN)(P)	
	30	14.5	20.9		455-1984-1-ND	2.06	19.11	159.21	1057.19/M	30FLZ-RSM2-TB(LF)(SN)	
	Inner-Lock Reverse Type										
3	34	16.5	23.6		455-1987-1-ND	2.35	21.68	180.66	1199.56/M	34FLZ-RSM2-R-TB(LF)(SN)	
	40	19.5	26.6		455-1988-1-ND	2.59	23.90	199.17	1322.47/M	40FLZ-RSM2-R-TB(LF)(SN)	

† For Tape and Reel part number, change 1-ND to 2-ND.

FMN Series 1.0mm FFC/FPC Connectors



Features: • Height: 3.0mm (.118") side-entry type; 5.1mm (.201") top-entry type • There are no slides or levers to operate on the reduced insertion force connector. It requires 1/2 the insertion force of JST's conventional FFC connector, but retains stable contact performance when subjected to environmental and mechanical stresses. • SMT type connectors

have heat-resistant housings so solder reflow is possible. They also have solder tabs for extra strength. **Specifications:** • Current Rating: 0.5A DC • Voltage Rating: 50V DC • Temperature Range: -25°C - 85°C • Applicable PC Board Thickness: 1.6mm (.063")

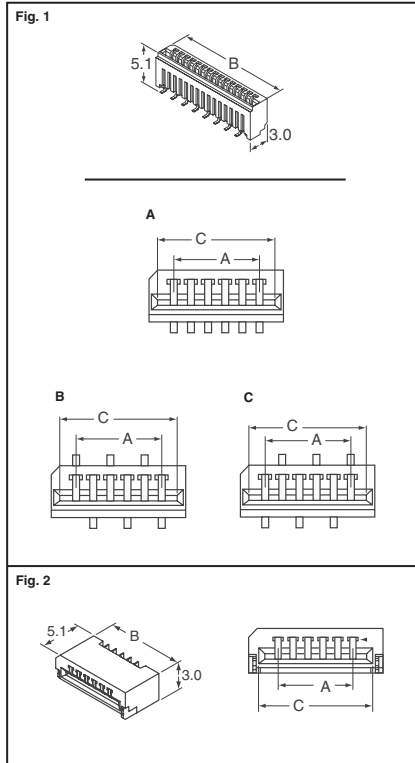


Fig.	Circuits	Dimensions (mm)			Digi-Key Part No.	Cut Tape Pricing			Tape and Reel† Pricing Qty.	JST Part No.		
		A	B	C		1	10	100				
Top Entry — Single Row												
1A	4	3.0	6.0	5.0	455-2194-1-ND	.46	4.20	34.99	1,000	232.31	04FMN-BMT-A-TF(LF)(SN)	
	8	7.0	10.0	9.0	455-1925-1-ND	.62	5.68	47.33	1,000	314.25	08FMN-BMT-A-TF(LF)(SN)	
	10	9.0	12.0	11.0	455-1930-1-ND	.68	6.34	52.82	1,000	350.72	10FMN-BMT-A-TF(LF)(SN)	
	12	11.0	14.0	13.0	455-1935-1-ND	.77	7.18	59.87	1,000	397.51	12FMN-BMT-A-TF(LF)(SN)	
	18	17.0	20.0	19.0	455-1946-1-ND	1.01	9.37	78.05	1,000	518.19	18FMN-BMT-A-TF(LF)(SN)	
	22	21.0	24.0	23.0	455-1952-1-ND	1.22	11.33	94.44	1,000	627.11	22FMN-BMT-A-TF(LF)(SN)	
1B	30	29.0	32.0	31.0	455-1957-1-ND	1.54	14.18	118.17	1,000	784.66	30FMN-BMT-A-TF(LF)(SN)	
	Top Entry — Staggered											
	1B	4	3.0	6.0	5.0	455-1918-1-ND	.46	4.20	34.99	1,000	232.31	04FMN-BMTT-A-TF(LF)(SN)
		5	4.0	7.0	6.0	455-1920-1-ND	.49	4.53	37.77	1,000	250.77	05FMN-BMTT-A-TF(LF)(SN)
		6	5.0	8.0	7.0	455-1922-1-ND	.53	4.86	40.48	1,000	268.76	06FMN-BMTT-A-TF(LF)(SN)
		9	8.0	11.0	10.0	455-1928-1-ND	.65	6.00	50.04	1,000	332.25	09FMN-BMTT-A-TF(LF)(SN)
10		9.0	12.0	11.0	455-1932-1-ND	.68	6.34	52.82	1,000	350.72	10FMN-BMTT-A-TF(LF)(SN)	
13		12.0	15.0	14.0	455-1938-1-ND	.81	7.47	62.28	1,000	413.52	13FMN-BMTT-A-TF(LF)(SN)	
1C	25	24.0	27.0	26.0	455-1954-1-ND	1.36	12.52	104.35	1,000	692.84	25FMN-BMTT-A-TF(LF)(SN)	
	Top Entry — Staggered (Reverse)											
	1C	12	11.0	14.0	13.0	455-1936-1-ND	.77	7.18	59.87	1,000	397.51	12FMN-BMTTR-A-TB(LF)(SN)
		14	13.0	16.0	15.0	455-1941-1-ND	.84	7.77	64.68	1,000	429.48	14FMN-BMTTR-A-TB(LF)(SN)
16		15.0	18.0	17.0	455-1944-1-ND	.94	8.70	72.48	2,000	481.25/M	16FMN-BMTTR-A-TB(LF)(SN)	
20		19.0	22.0	21.0	455-1950-1-ND	1.11	10.30	85.83	1,000	569.96	20FMN-BMTTR-A-TB(LF)(SN)	
Side Entry												
2	4	3.0	7.0	5.0	455-1919-1-ND	.46	4.20	34.99	2,000	232.31/M	04FMN-SMT-A-TF(LF)(SN)	
	6	5.0	9.0	7.0	455-1923-1-ND	.53	4.86	40.48	2,000	268.77/M	06FMN-SMT-A-TF(LF)(SN)	
	7	6.0	10.0	8.0	455-1924-1-ND	.56	5.20	43.26	2,000	287.24/M	07FMN-SMT-A-TF(LF)(SN)	
	8	7.0	11.0	9.0	455-1927-1-ND	.62	5.68	47.33	2,000	314.25/M	08FMN-SMT-A-TF(LF)(SN)	
	10	9.0	13.0	11.0	455-1934-1-ND	.68	6.34	52.82	2,000	350.73/M	10FMN-SMT-A-TF(LF)(SN)	
	12	11.0	15.0	13.0	455-1937-1-ND	.77	7.18	59.87	2,000	397.52/M	12FMN-SMT-A-TF(LF)(SN)	
	13	12.0	16.0	14.0	455-1939-1-ND	.81	7.47	62.28	2,000	331.31/M	13FMN-SMT-A-TF(LF)(SN)	
	14	13.0	17.0	15.0	455-1942-1-ND	.84	7.77	64.68	2,000	429.49/M	14FMN-SMT-A-TF(LF)(SN)	
	16	15.0	19.0	17.0	455-1945-1-ND	.94	8.70	72.48	2,000	481.25/M	16FMN-SMT-A-TF(LF)(SN)	
	20	19.0	23.0	21.0	455-1951-1-ND	1.11	10.30	85.83	2,000	569.96/M	20FMN-SMT-A-TF(LF)(SN)	
28	27.0	31.0	29.0	455-1956-1-ND	1.47	13.58	113.19	2,000	751.60/M	28FMN-SMT-A-TF(LF)(SN)		

† For Tape and Reel part number, change 1-ND to 2-ND.

Digi-Reel® Most SMT cutdown parts are available on a Digi-Reel®. For Digi-Reel part number, change 1-ND to 6-ND or CT-ND to DKR-ND. See Digi-Key® Services on page 2 for additional information.

Free shipping on orders over \$200 CAD! All prices in Canadian dollars and include duty and brokerage fees.