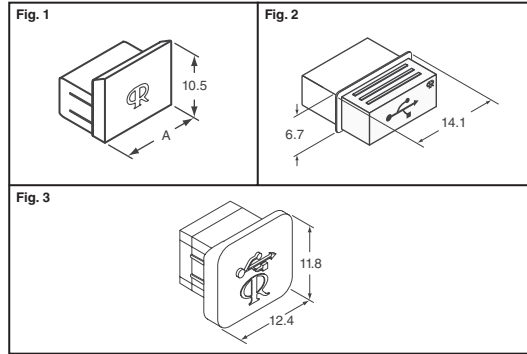




NEW! Connector Plugs (Dust Covers)

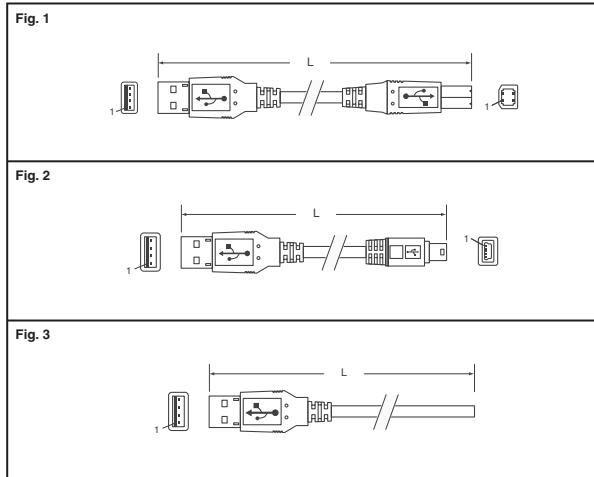


A

Developed for industry standard connectors, Richco now offers a line of plugs to protect internal components from dust and debris. Available for the RJ45/RJ11 and USB connectors, no stress is applied upon entry, and the plug's sleek black material blends well with any aesthetic. Additionally, features such as the release tab on the RJ45/RJ11, and flange on the CP-USB-A, allows for operation in confined spaces and added dust protection, respectively. With Richco's new line, a clean, well-protected connector interior is just a plug away.

Fig.	Description	Dim. A (mm)	Digi-Key Part No.	Pricing			Richco Part No.
				1	10	25	
1	Dust Cover for RJ11 Connector Plug	10.5	RP779-ND	.44	4.08	9.41	CP-RJ11
	Dust Cover for RJ45 Connector Plug	12.5	RP780-ND	.35	3.25	7.52	CP-RJ45
2	Dust Cover for USB-A Connector Plug	—	RP781-ND	.36	3.29	7.60	CP-USB-A
3	Dust Cover for USB-B Connector Plug	—	RP782-ND	.39	3.66	8.45	CP-USB-B

Qualtek USB Cable Assemblies



Features: • Transfer rates up to 480 Mbps depending on USB version • Make plug and play connections for such devices as keyboards, mice, modems, printers and other USB peripherals • Connects a USB peripheral to a USB Hub or USB port on PC/MAC • Compatible with USB specifications 1.0, 1.1 and 2.0

Fig.	Description	Wire	Dim. L (ft.)	N.W.	G.W.	Digi-Key Part No.	Price Each			Qualtek Part No.
							1	10	25	
Nickel — Black										
1	A-B	28/28	3	9	11	Q361-ND	2.72	2.50	2.09	3021001-03
2	A-mini B	28/28	3	8.3	10.3	Q362-ND	3.56	3.27	2.74	3021003-03
3	A-Blunt	28/28	3	8.1	10.1	Q363-ND	2.00	1.83	1.53	3021005-03
1	A-B	26/28	6	5.6	7.1	Q364-ND	4.04	3.70	3.10	3021007-06
2	A-mini B	26/28	6	5.3	6.8	Q365-ND	4.78	4.37	3.66	3021009-06
3	A-Blunt	26/28	6	5.2	6.7	Q366-ND	3.37	3.09	2.59	3021011-06
1	A-B	26/28	10	8.3	9.7	Q367-ND	5.51	5.04	4.22	3021013-010
2	A-mini B	26/28	10	8	9.4	Q368-ND	6.18	5.66	4.74	3021015-010
3	A-Blunt	26/28	10	7.9	9.3	Q369-ND	4.89	4.47	3.75	3021017-010
Gold — Black										
1	A-B	24/26	16	6.2	7.3	Q370-ND	9.86	9.02	7.55	3021019-16
2	A-mini B	24/26	16	6	7.1	Q371-ND	10.53	9.64	8.07	3021021-16
3	A-Blunt	24/26	16	5.9	7	Q372-ND	9.21	8.43	7.06	3021023-16
1	A-B	20/26	16	10	11.2	Q373-ND	9.86	9.02	7.55	3021025-16
2	A-mini B	20/26	16	9	10.2	Q374-ND	10.53	9.64	8.07	3021027-16
3	A-Blunt	20/26	16	8.8	10	Q375-ND	9.21	8.43	7.06	3021029-16

DVI Cable Assemblies



Features: • Tri-shielded with dual Mylar® foil and braid shield reduces interference • Supports hot plugging of DVI display devices • PC and MAC compatible • Compatible with flat panel displays, digital CRT displays • Meets DVI DDWG Standard

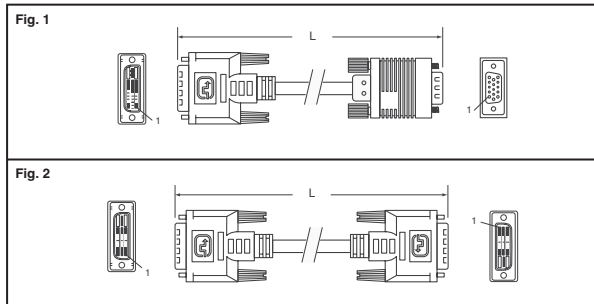


Fig.	Description	Wire (AWG)	Dim. L (ft.)	N.W.	G.W.	Digi-Key Part No.	Price Each			Qualtek Part No.
							1	10	25	
Nickel — Black										
1	12+5 - HD15P	28	3	6.3	7.5	Q376-ND	12.19	11.15	9.34	1321001-03
2	18+1 - 18+1	28	3	5.8	7	Q377-ND	14.41	13.18	11.04	1321003-03
2	24+1 - 24+1	28	3	7.3	8.5	Q379-ND	16.54	15.14	12.67	1321007-03
2	24+5 - 24+5	28	3	8.1	9.3	Q380-ND	19.63	17.96	15.04	1321009-03
1	12+5 - HD15P	28	6	9.2	10.4	Q381-ND	16.91	15.47	12.95	1321011-06
2	18+1 - 18+1	28	6	8.2	9.4	Q382-ND	18.64	17.06	14.29	1321013-06
2	18+5 - 18+5	28	6	11.5	12.7	Q383-ND	25.94	23.74	19.88	1321015-06
2	24+1 - 24+1	28	6	11.3	12.5	Q384-ND	21.71	19.86	16.63	1321017-06
2	24+5 - 24+5	28	6	13.3	14.6	Q385-ND	27.25	24.93	20.87	1321019-06
2	18+1 - 18+1	28	10	5.7	6.7	Q387-ND	24.38	22.30	18.67	1321023-10
2	24+1 - 24+1	28	10	8.4	9.4	Q389-ND	28.64	26.21	21.94	1321027-10
Gold — Black										
2	18+1 - 18+1	26	16	8.2	9.3	Q392-ND	39.85	36.46	30.53	1321033-16
2	24+1 - 24+1	26	16	10.1	11.2	Q394-ND	44.39	40.62	34.01	1321037-16
2	24+5 - 24+5	26	16	12.2	13.4	Q395-ND	61.84	56.58	47.37	1321039-16

HDMI Cable Assemblies



Features: • Broadcast quality digital video, digital audio and inter component control signals all in one compact, high performance connection • Three layers of shielding: two 80% + OFC copper braids and one 100% over lapped Mylar® foil provide complete immunity to environmental EMI and RFI • Nitrogen-injected dielectric and meticulous construction make this interconnect the perfect choice for the most demanding home cinema installations

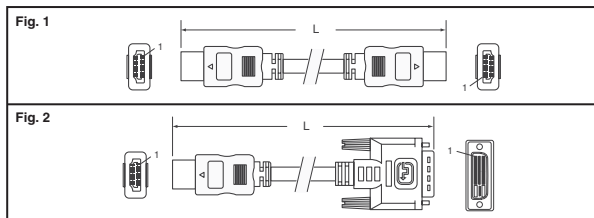


Fig.	Description	Wire (AWG)	Dim. L (ft.)	N.W.	G.W.	Digi-Key Part No.	Price Each			Qualtek Part No.
							1	10	25	
Nickel — Black										
1	Type A - Type A	28	3	7.5	8.7	Q396-ND	18.06	16.52	13.84	1721001-03
1	Type A - Type A	28	6	6.1	7.2	Q398-ND	22.88	20.94	17.53	1721005-06
2	Type A - DVI(18+1)	28	6	7	8.1	Q399-ND	22.88	20.94	17.53	1721007-06
1	Type A - Type A	28	10	9.4	10.6	Q400-ND	29.37	26.88	22.50	1721009-10
1	Type A - Type A	26	16	7.3	8.3	Q402-ND	49.40	45.20	37.84	1721013-16
1	Type A - Type A	26	30	10.2	11.3	Q404-ND	88.51	80.98	67.80	1721017-30

Free shipping on orders over \$200 CAD! All prices in Canadian dollars and include duty and brokerage fees.